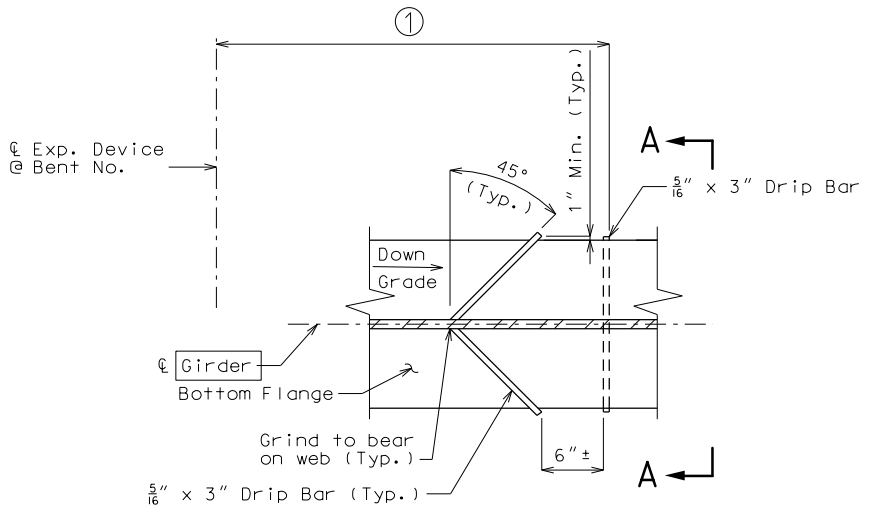
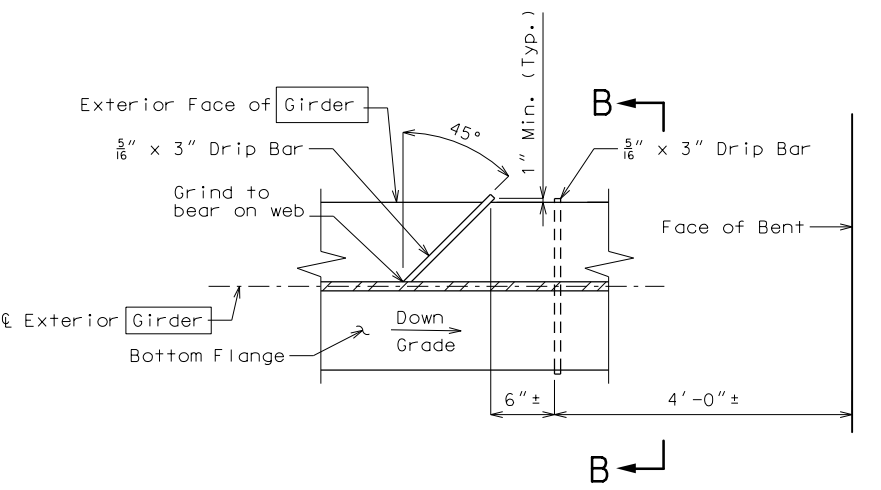


Standard Drawing Guidance (do not show on plans):
 Modify as required.
 ① Drip bars should be located between 5 feet from center of expansion device and 1 foot short of the end of the partial coating limit.
 Details shown are for plate girder. For wide flange beam, change "Girder" to "Beam" (5 places).

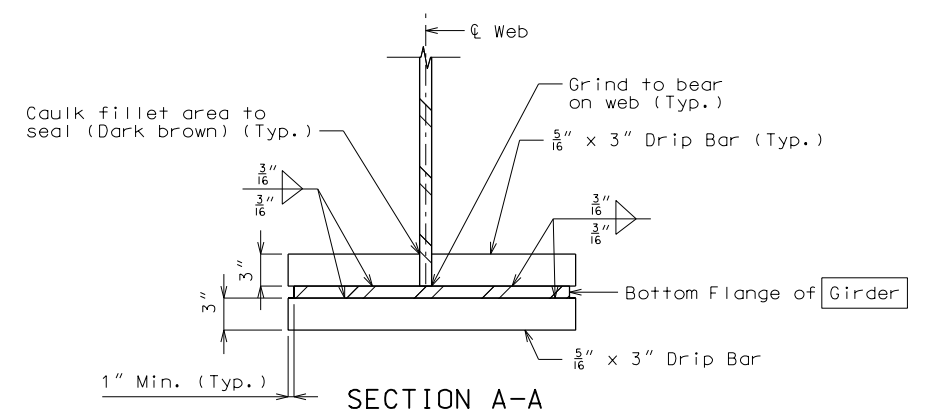
See EPG 751.14.5.9.1



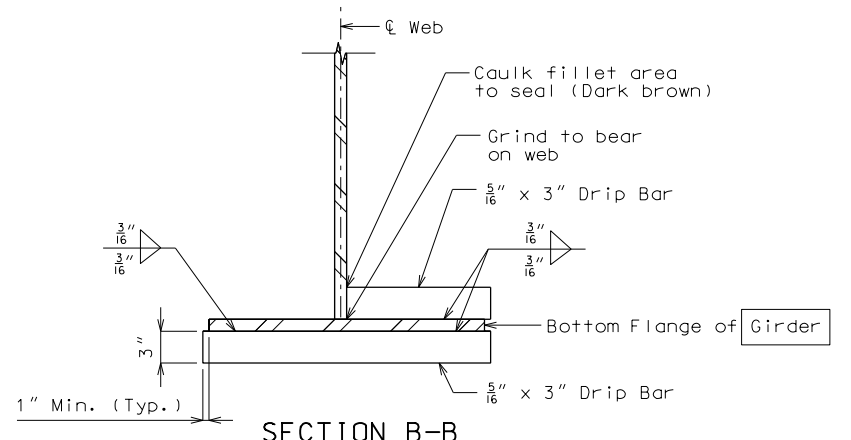
DRIP BAR DETAIL NEAR EXPANSION DEVICE



DRIP BAR DETAIL NEAR BENTS



Standard Drawing Guidance (do not show on plans):
 Use this detail near expansion device to deflect water away from girder.



Standard Drawing Guidance (do not show on plans):
 Use this detail near bent, on outside of exterior girder only, to deflect water away from bent.

Note: Steel for drip bars shall be same grade as bottom flange.

"THIS MEDIA SHOULD NOT BE CONSIDERED A CERTIFIED DOCUMENT."

DATE PREPARED
9/14/2016
 ROUTE * STATE MO
 DISTRICT BR SHEET NO. *
 COUNTY *
 JOB NO. *
 CONTRACT ID.

PROJECT NO.

BRIDGE NO. DRIP_01

DATE	DESCRIPTION

MISSOURI HIGHWAYS AND TRANSPORTATION COMMISSION

105 WEST CAPITOL
JEFFERSON CITY, MO 65102
1-888-ASK-MODOT (1-888-275-6636)

IF A SEAL IS PRESENT ON THIS SHEET IT HAS BEEN ELECTRONICALLY SEALED AND DATED.