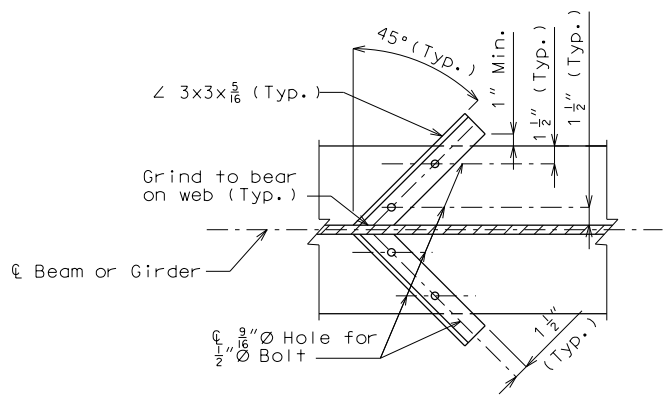


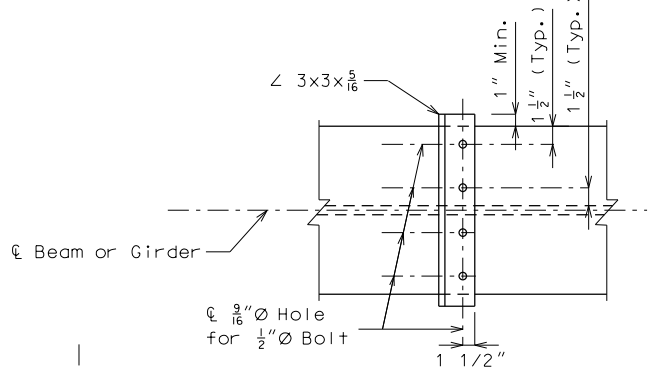
Standard Drawing Guidance (do not show on plans):
 Modify as required.

Bolted drip angles should only be used when welded drip bars cannot be used.

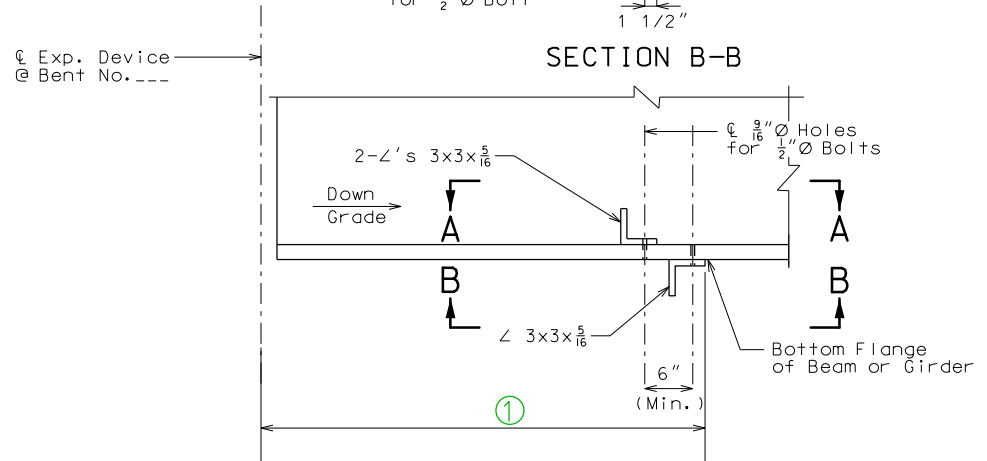
① Drip angles should be located between 5 feet from center of expansion device and 1 foot less from the end of the partial coating limit.



SECTION A-A

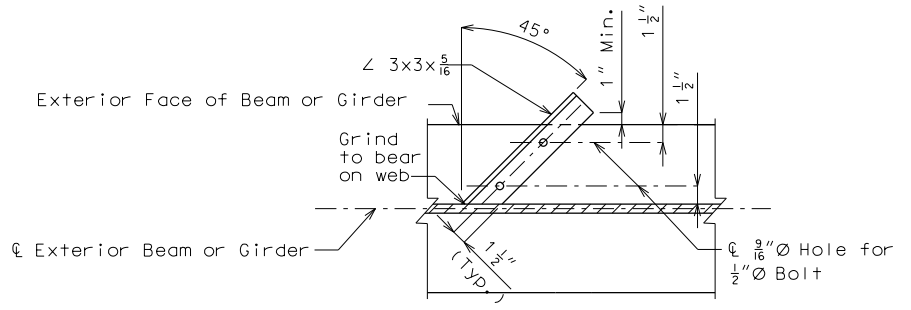


SECTION B-B

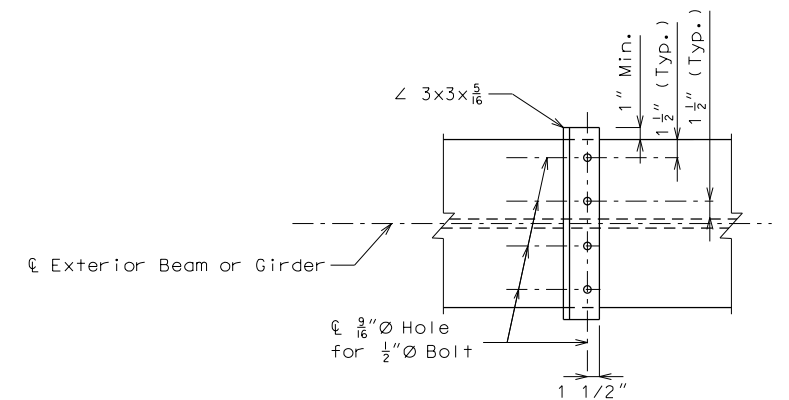


DRIP ANGLES DETAIL ----

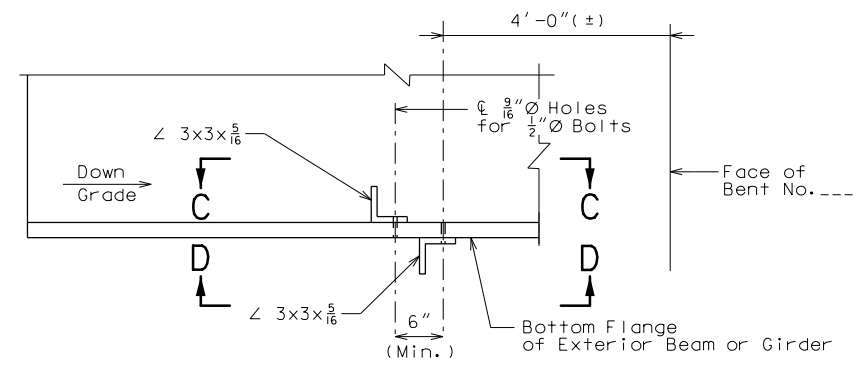
Standard Drawing Guidance (do not show on plans):
 Use this detail near expansion device.
 Use this detail as shown to deflect water from girder.



SECTION C-C



SECTION D-D



DRIP ANGLES DETAIL ----

Standard Drawing Guidance (do not show on plans):
 Use this detail near bent.
 Use this detail as shown to deflect water away from bent for exterior girder only.

Note:
 Drip angles shall be caulked with dark brown caulking against flange, web and fillet welds.
 Drip angles shall be same grade as bottom flange.
 Use 1/2-inch diameter ASTM F3125 Grade A325 Type 3 for bolted connection.

DATE PREPARED 5/5/2022	
ROUTE *	STATE MO
DISTRICT BR	SHEET NO. *
COUNTY *	
JOB NO. *	
CONTRACT ID.	
PROJECT NO.	
BRIDGE NO. DRIP_02	

DESCRIPTION	DATE

MISSOURI HIGHWAYS AND TRANSPORTATION COMMISSION

105 WEST CAPITOL
 JEFFERSON CITY, MO 65102
 1-888-ASK-MODOT (1-888-275-6636)

IF A SEAL IS PRESENT ON THIS SHEET IT HAS BEEN ELECTRONICALLY SEALED AND DATED.