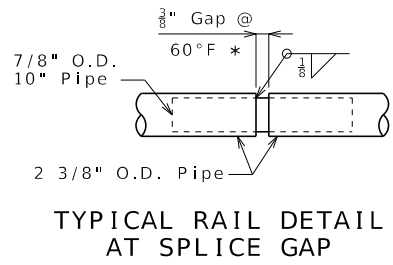
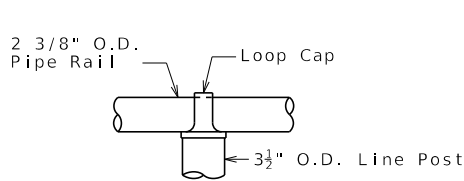
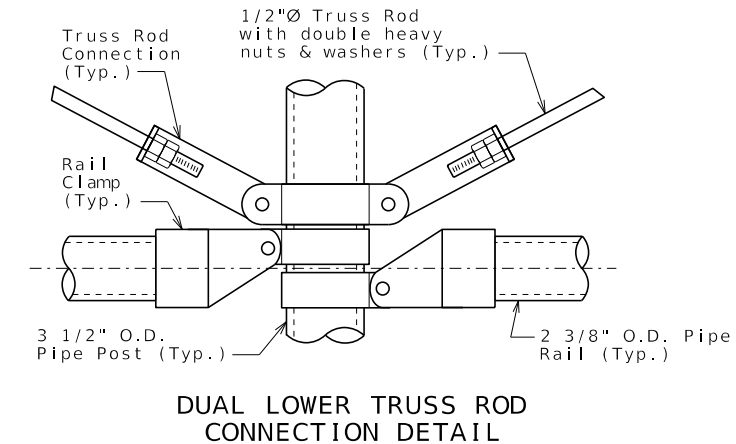
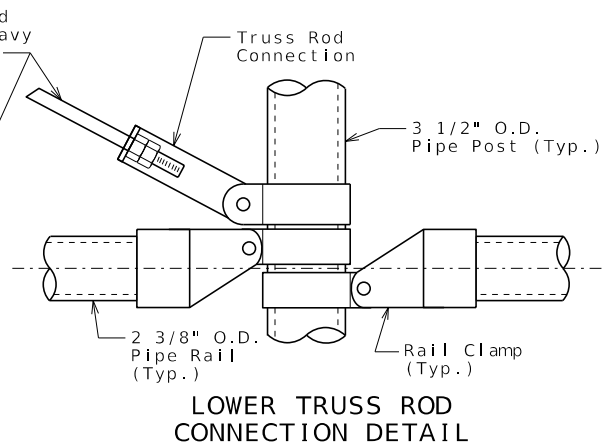
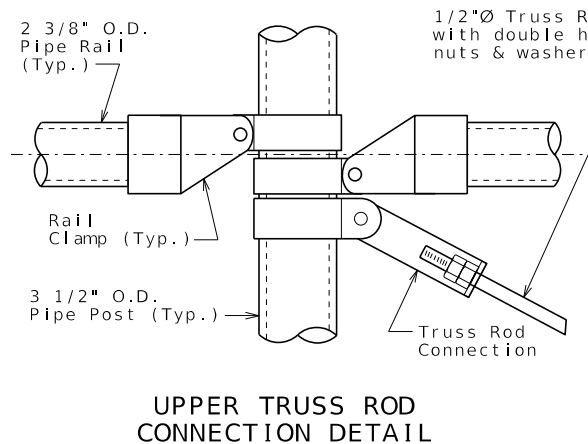
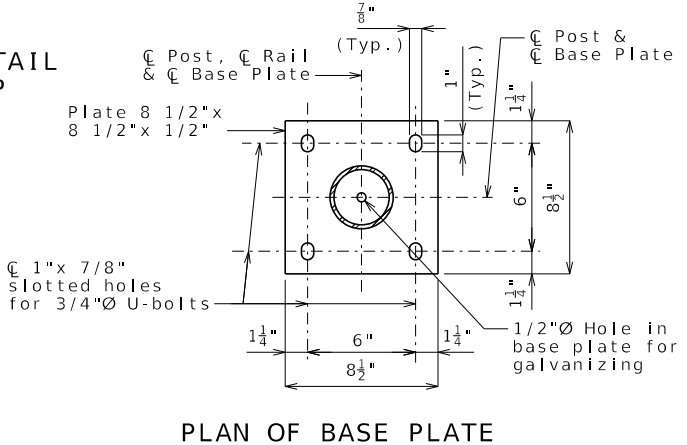
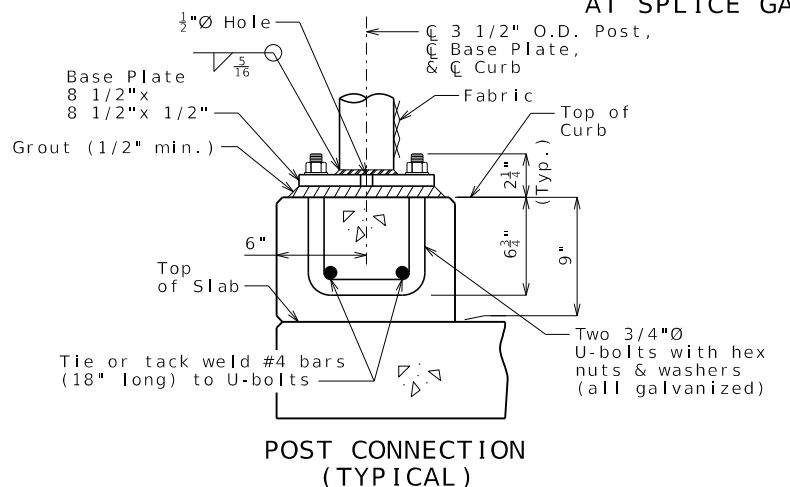


* 3/8" Gap for splice at about 30'-0" centers with at least one splice gap between pull or end posts.



Note: At the contractor's option, manufacturer-approved expansion coupling may be used in lieu of detail shown. No additional payment will be made for this substitution.



GENERAL NOTES:

Pedestrian chain link fence shall be in accordance with Sec 1043 except all fabric shall have the top and bottom edges knuckled and pipe members shall be in accordance with ASTM F1043, high strength grade (minimum yield = 50 ksi) heavy industrial steel pipe Group 1A.

All posts shall be vertical. Grout shall be placed under the post base plates in accordance with Sec 1066.

Payment for furnishing, galvanizing and erecting the fence and frame complete in place will be considered completely covered by the contract unit price for (120 in.) (96 in.) Curved Top Pedestrian Fence (Structures) per linear foot.

Dimensions of pedestrian chain link fence are measured horizontally.

The maximum spacing allowed between pull posts and end posts is 100 feet. Post brace and 1/2-inch diameter truss rod are required for panels adjacent to pull post and end posts only. Connect the lower end of truss rod to bottom of pull posts and end posts to which the stretcher bar is attached.

Rail clamps, dome cap, bands, tie wires, stretcher bars and truss rod connections shall be in accordance with the manufacturer's recommendations. The truss rod and truss rod connections shall have a minimum capacity of 2000 pounds. Dome cap shall fit tightly.

Expansion joints shall be placed in the horizontal pieces at not more than 30-foot centers and at all joint filler locations in the curb with a minimum gap of 3/8 inch at 60 degrees F.

Steel for truss rods shall be ASTM A709 Grade 36. Steel for base plates shall be ASTM A709 Grade 50.

(120 in.) (96 in.) Curved Top Pedestrian Fence (Structures) will be measured to the nearest linear foot for each structure, measured along the centerline fence from end of fence to end of fence.

Contractor shall submit complete detailed shop drawings in accordance with Sec 1080.

All base plates, U-bolts, hex nuts and washers shall be galvanized in accordance with ASTM A123 and Sec 1081.

U-bolts shall be ASTM F1554 Grade 36.

Chain link wire fabric shall be 9 gage minimum, 2-inch diamond mesh.

For details of pedestrian curb, see Sheet No. _.

The chain link fence shall be built in accordance with Sec 607 & Sec 1043.

DATE PREPARED		1/24/2025	
ROUTE	STATE	MO	
DISTRICT	SHEET NO.	000	
COUNTY			
JOB NO.			
CONTRACT ID.			
PROJECT NO.			
BRIDGE NO.			

DESCRIPTION	DATE

MISSOURI HIGHWAYS AND TRANSPORTATION COMMISSION

105 WEST CAPITOL
JEFFERSON CITY, MO 65102
1-888-ASK-MODOT (1-888-275-6636)

PEDESTRIAN CHAIN LINK FENCE ON PEDESTRIAN CURB

Detailed Checked

Note: This drawing is not to scale. Follow dimensions.

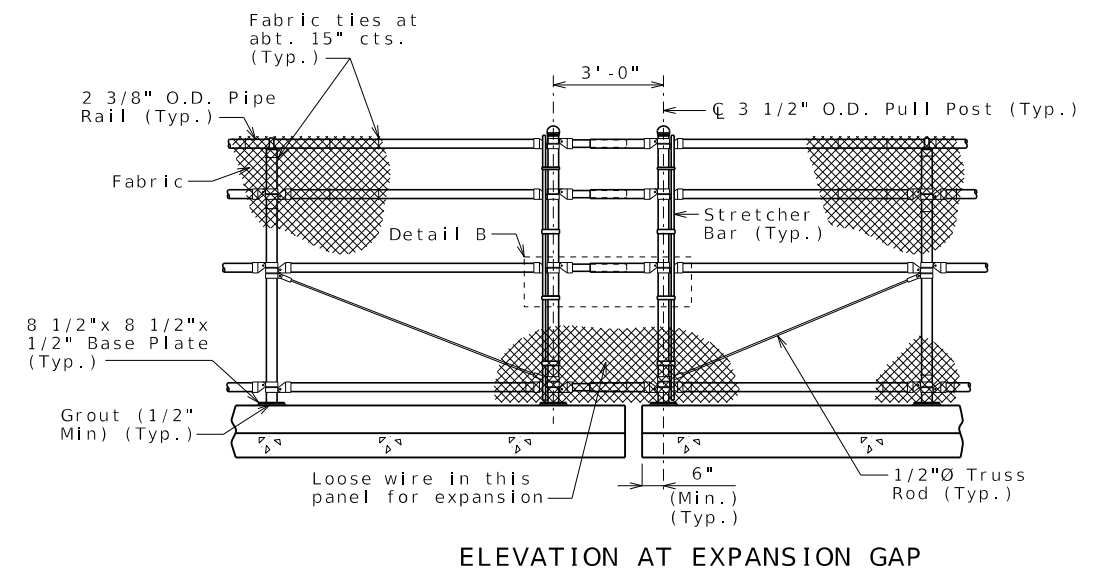
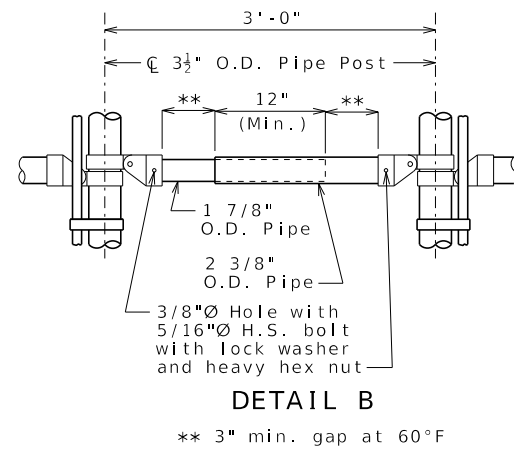
Sheet No. of

Guidance and alternate details FEN01 (1 of 2)

Standard Drawing Guidance (Do not show on plans.):

Also include FEN03 (pedestrian curb) in plans.

- ① For gaps more than 18" between posts, use the alternate detail, with expansion rails and 3' between posts & Detail B. This may conflict with any proposed expansion device; consult structural project manager.
- ② For greater expansion length, consult the SPM and use alternate details.

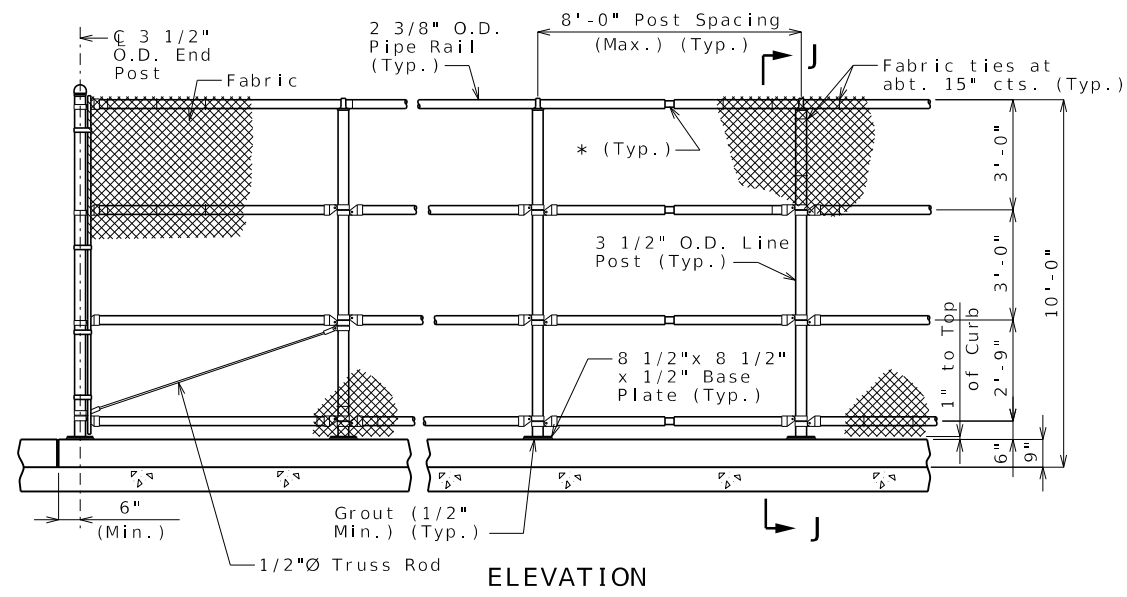


(CURVE - TOP)

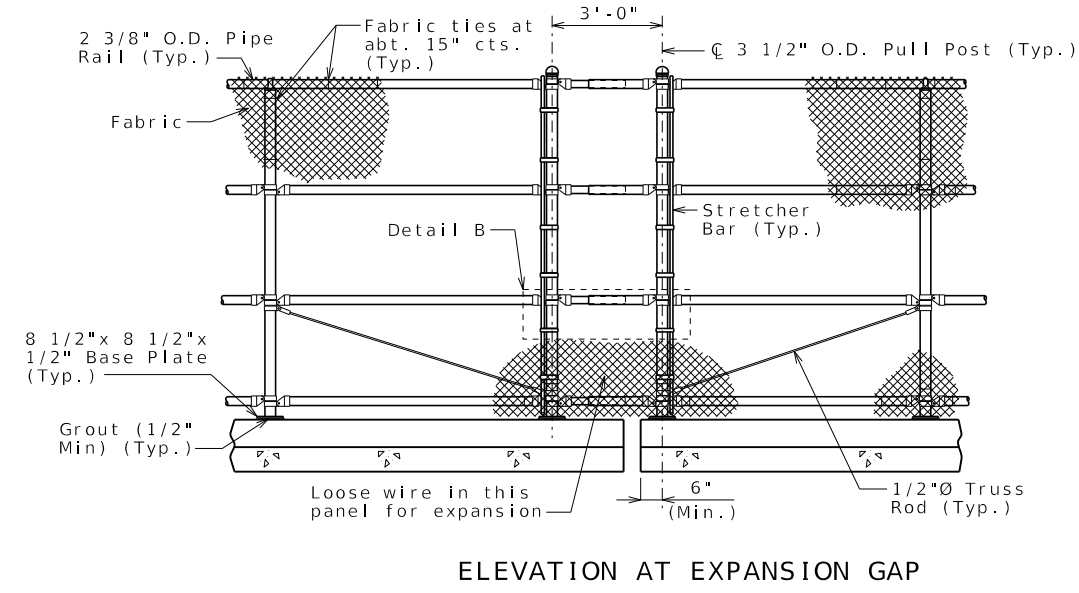
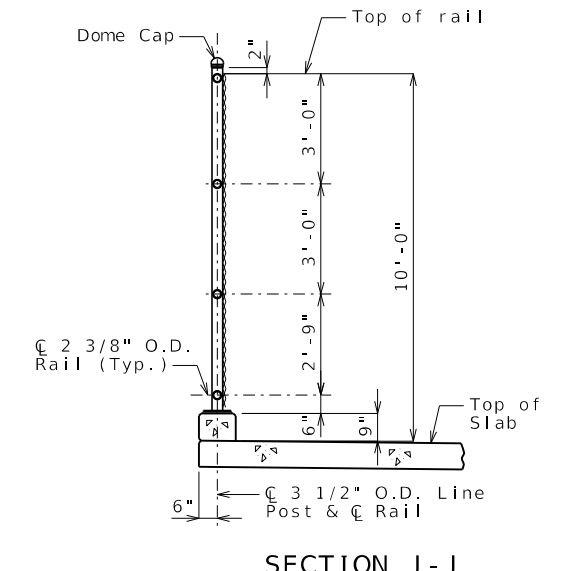
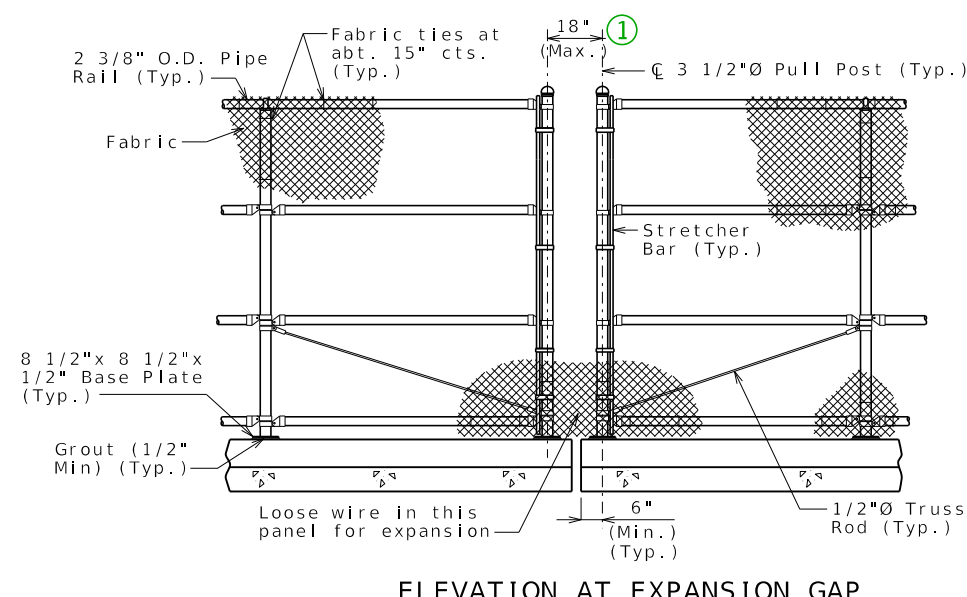
Use for expansion length \leq 125 feet for steel structure or \leq 175 feet for concrete structure. ②

Alternate details FEN01 (2 of 2)

120 in. straight fence on pedestrian curb



* 3/8" Gap for splice at about 30'-0" centers with at least one splice gap between pull or end posts.



Use for expansion length \leq 125 feet for steel structure or \leq 175 feet for concrete structure. ②