


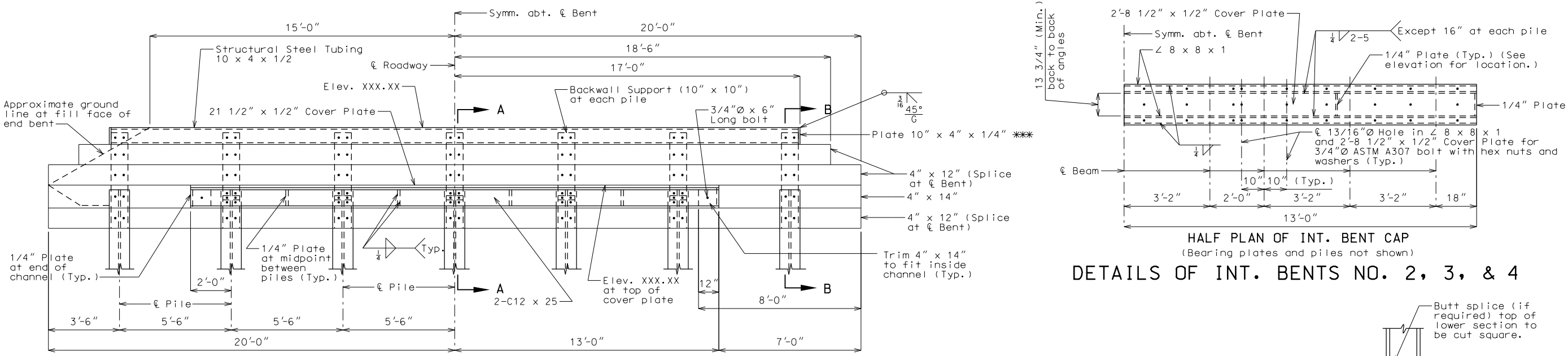
"THIS MEDIA SHOULD NOT BE CONSIDERED A CERTIFIED DOCUMENT."

DATE PREPARED
7/23/2020
ROUTE * STATE MO
DISTRICT BR SHEET NO. *
COUNTY *
JOB NO. *
CONTRACT ID. *
PROJECT NO. *

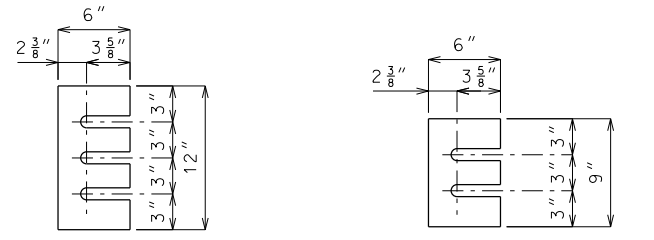
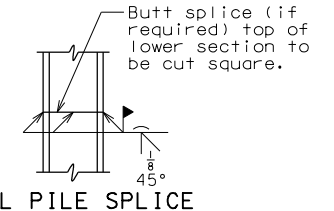
BRIDGE NO.
TEMP 2

DESCRIPTION	DATE

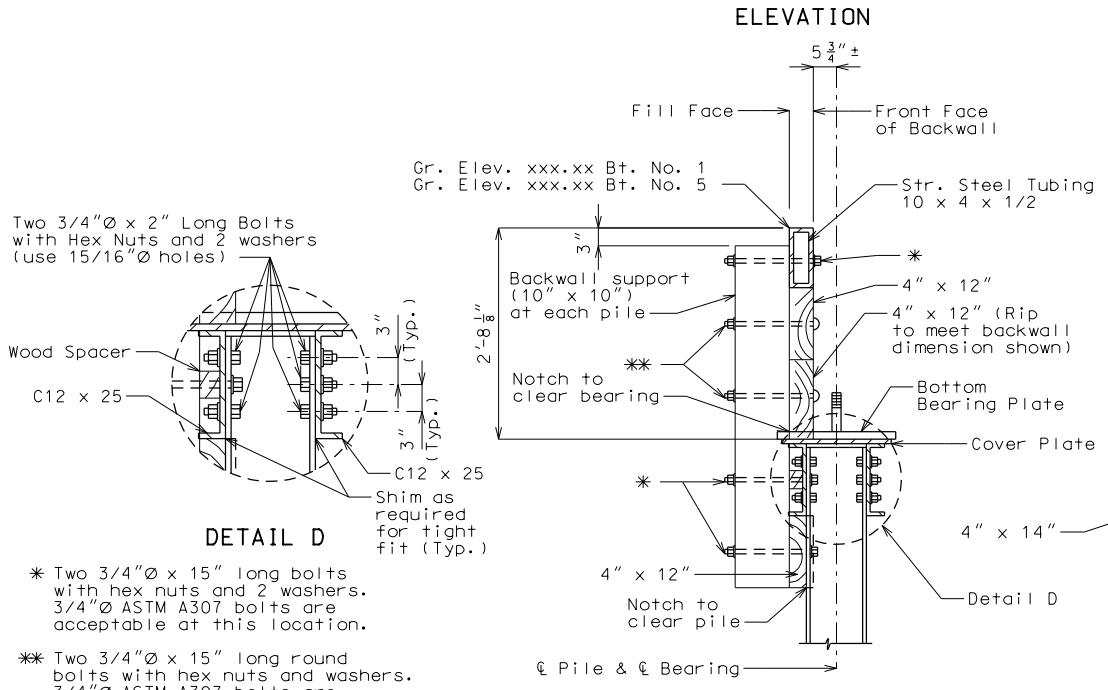
MISSOURI HIGHWAYS AND TRANSPORTATION COMMISSION

 105 WEST CAPITOL JEFFERSON CITY, MO 65102
 1-888-ASK-MODOT (1-888-275-6636)



HALF PLAN OF INT. BENT CAP
(Bearing plates and piles not shown)
DETAILS OF INT. BENTS NO. 2, 3, & 4



DETAIL OF SHIM PLATES (END BENTS) **DETAIL OF SHIM PLATES (INT. BENTS)**
 Shim plates may be used between pile and channel at the end bents or angle at the intermediate bents. Shim plates may vary in thickness from 1/16 inch to thickness required.



SECTION A-A

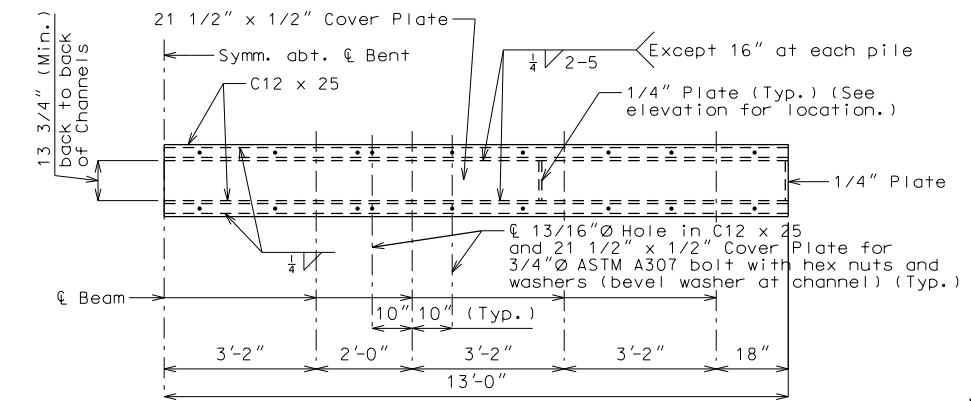
SECTION B-B

Two 3/4"Ø x 2" Long Bolts with Hex Nuts and 2 washers (use 15/16"Ø holes)

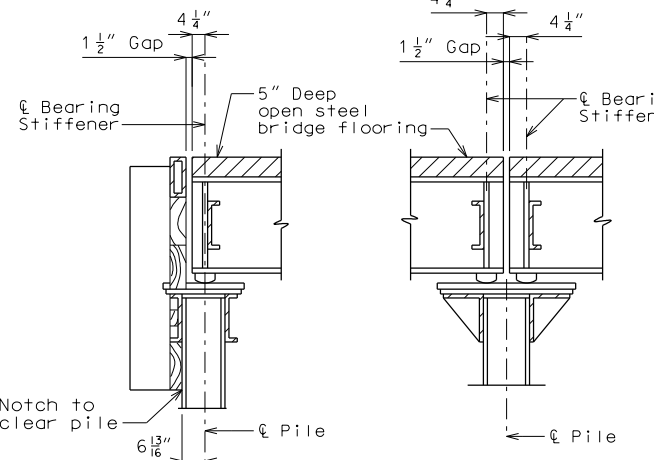
* Two 3/4"Ø x 15" long bolts with hex nuts and 2 washers. 3/4"Ø ASTM A307 bolts are acceptable at this location.

** Two 3/4"Ø x 15" long round bolts with hex nuts and washers. 3/4"Ø ASTM A307 bolts are acceptable at this location.

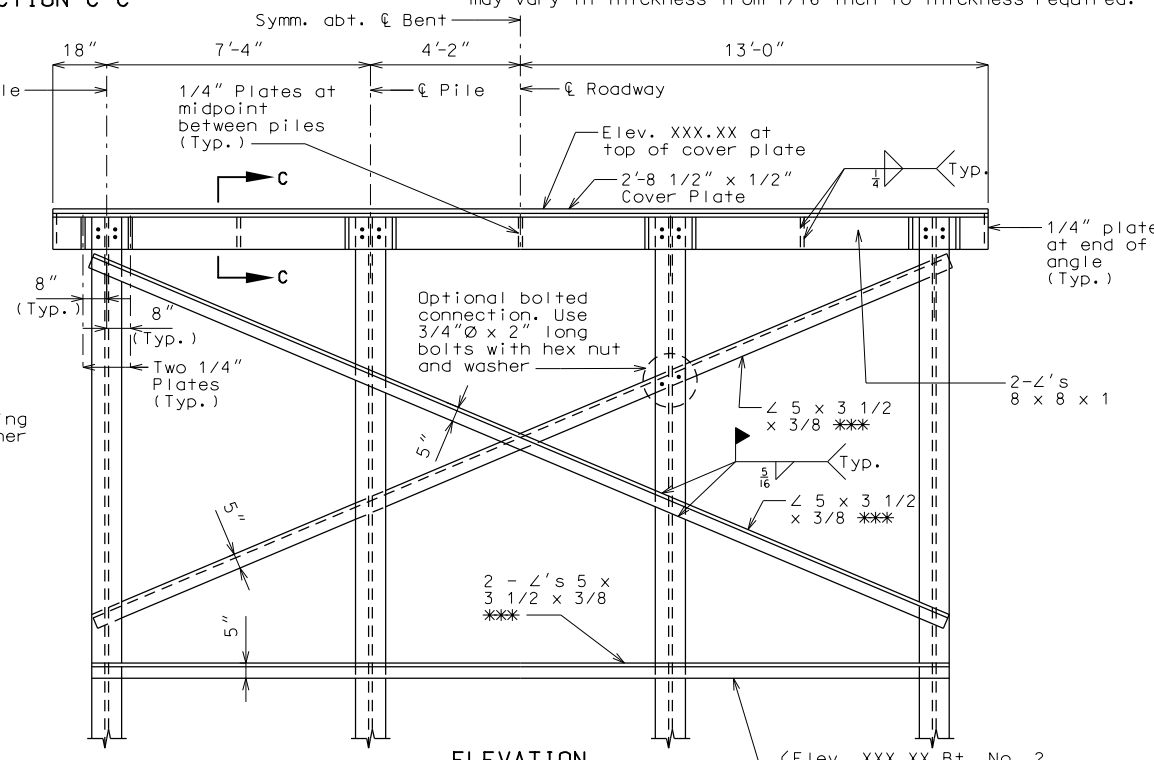
*** ASTM A709, Grade 36



HALF PLAN OF END BENT CAP
(Bearing plates and piles not shown)
DETAILS OF END BENTS NO. 1 & 5



TYPICAL SECTION NEAR INT. BENT



ELEVATION