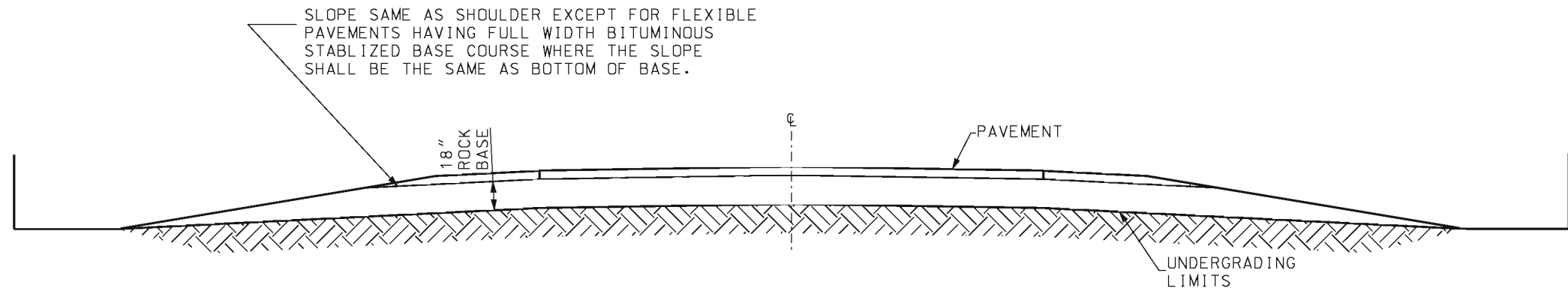
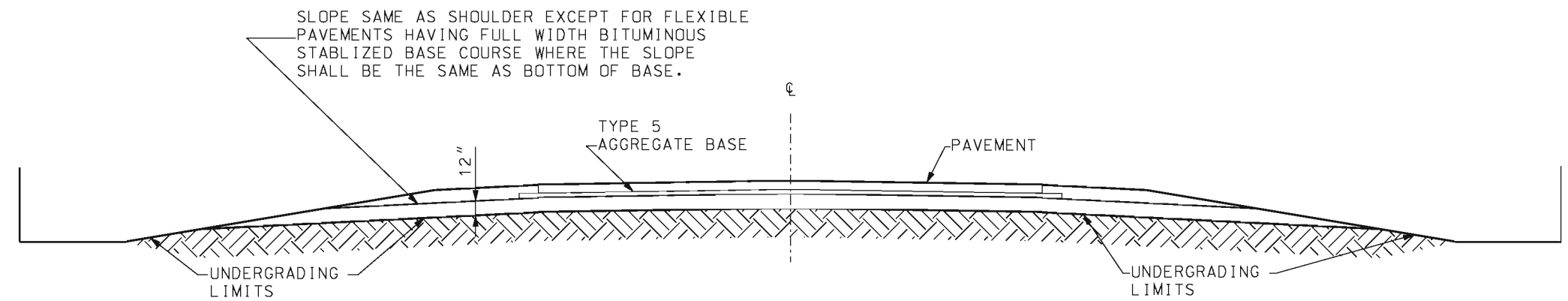


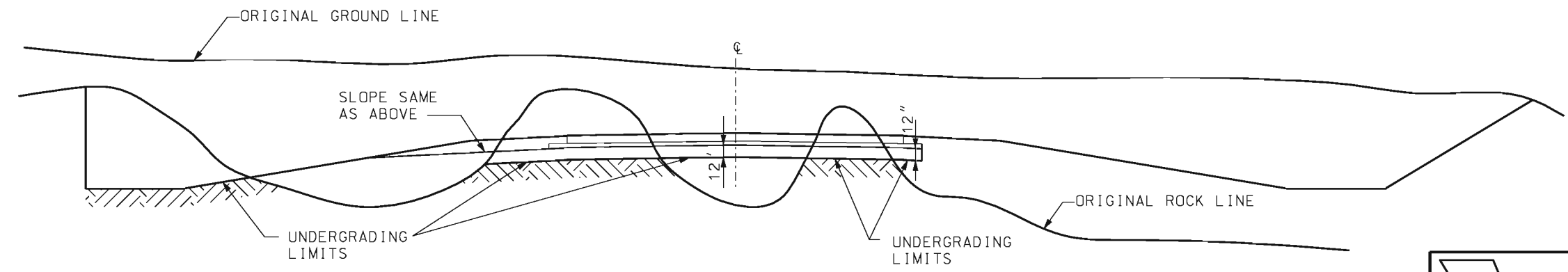
IF A SEAL IS PRESENT ON THIS SHEET IT HAS BEEN ELECTRONICALLY SEALED AND DATED.



**IN ROCK OVER ENTIRE WIDTH OF ROADBED WITH 18" ROCK BASE**



**IN ROCK OVER ENTIRE WIDTH OF ROADBED WITH TYPE 5 AGGREGATE BASE**



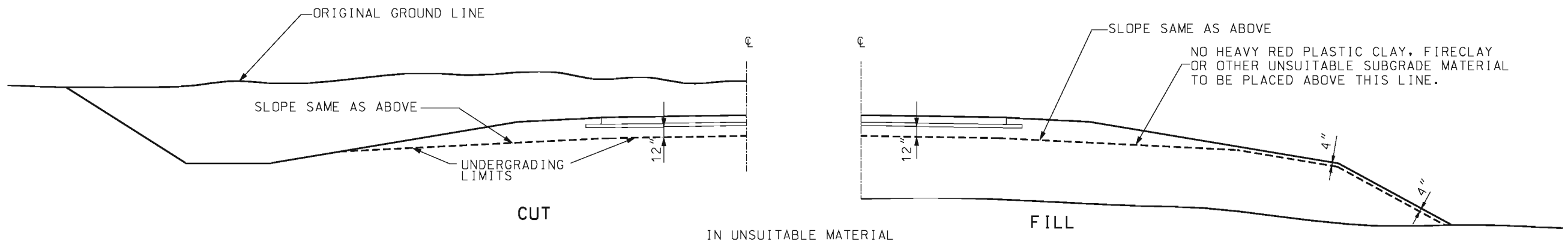
**IN ROCK OVER PARTIAL WIDTH OF ROADBED**

**MoDOT** MISSOURI HIGHWAYS AND TRANSPORTATION COMMISSION  
 105 WEST CAPITOL  
 JEFFERSON CITY, MO 65102  
 1-888-ASK-MODOT (1-888-275-6636)

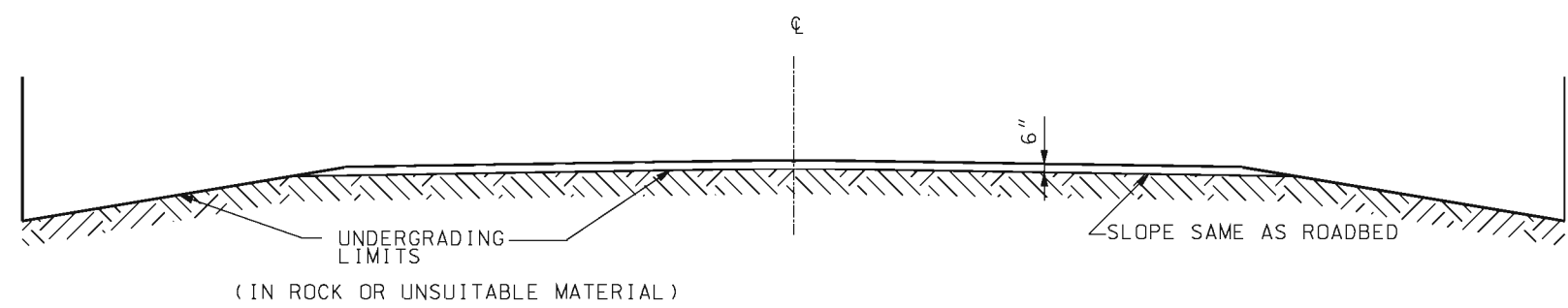
STATE OF MISSOURI  
 KATHRYN PHILLIPS HARVEY  
 NUMBER PE-23751  
 PROFESSIONAL ENGINEER

**UNDERGRADING  
TYPICAL DETAILS**

DATE EFFECTIVE: 01/01/2004	<b>203.02F</b>	SHEET NO.
DATE PREPARED: 8/21/2009		1 OF 2



IN UNSUITABLE MATERIAL  
**UNDERGRADING LIMITS**  
 (FLEXIBLE OR RIGID PAVEMENTS)



**UNDERGRADING LIMITS**  
 (EARTH OR AGGREGATE TYPE SURFACE)

GENERAL NOTES:

	<b>MISSOURI HIGHWAYS AND TRANSPORTATION COMMISSION</b> 105 WEST CAPITOL JEFFERSON CITY, MO 65102 1-888-ASK-MODOT (1-888-275-6636)	
		<b>UNDERGRADING</b> <b>TYPICAL DETAILS</b>
DATE EFFECTIVE: 01/01/2004 DATE PREPARED: 8/21/2009	<b>203.02F</b>	SHEET NO. 2 OF 2

IF A SEAL IS PRESENT ON THIS SHEET IT HAS BEEN ELECTRONICALLY SEALED AND DATED.