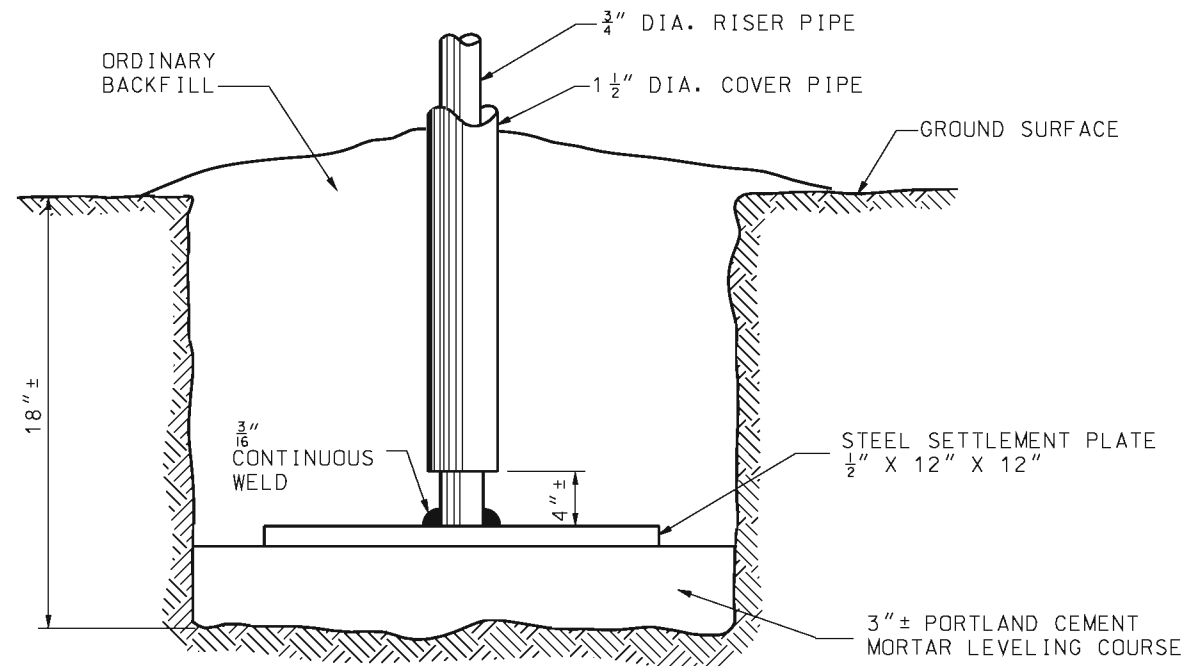

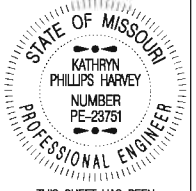


**EMBANKMENT CONTROL STAKE**



**SETTLEMENT GAUGE**

	<b>MISSOURI HIGHWAYS AND TRANSPORTATION COMMISSION</b> 105 WEST CAPITOL JEFFERSON CITY, MO 65102 1-888-ASK-MODOT (1-888-275-6636)	
		<b>EMBANKMENT CONTROL MEASURING DEVICES</b>
DATE EFFECTIVE: 04/01/1983 DATE PREPARED: 8/21/2009	<b>204.00D</b>	SHEET NO. <b>1 OF 1</b>

IF A SEAL IS PRESENT ON THIS SHEET IT HAS BEEN ELECTRONICALLY SEALED AND DATED.