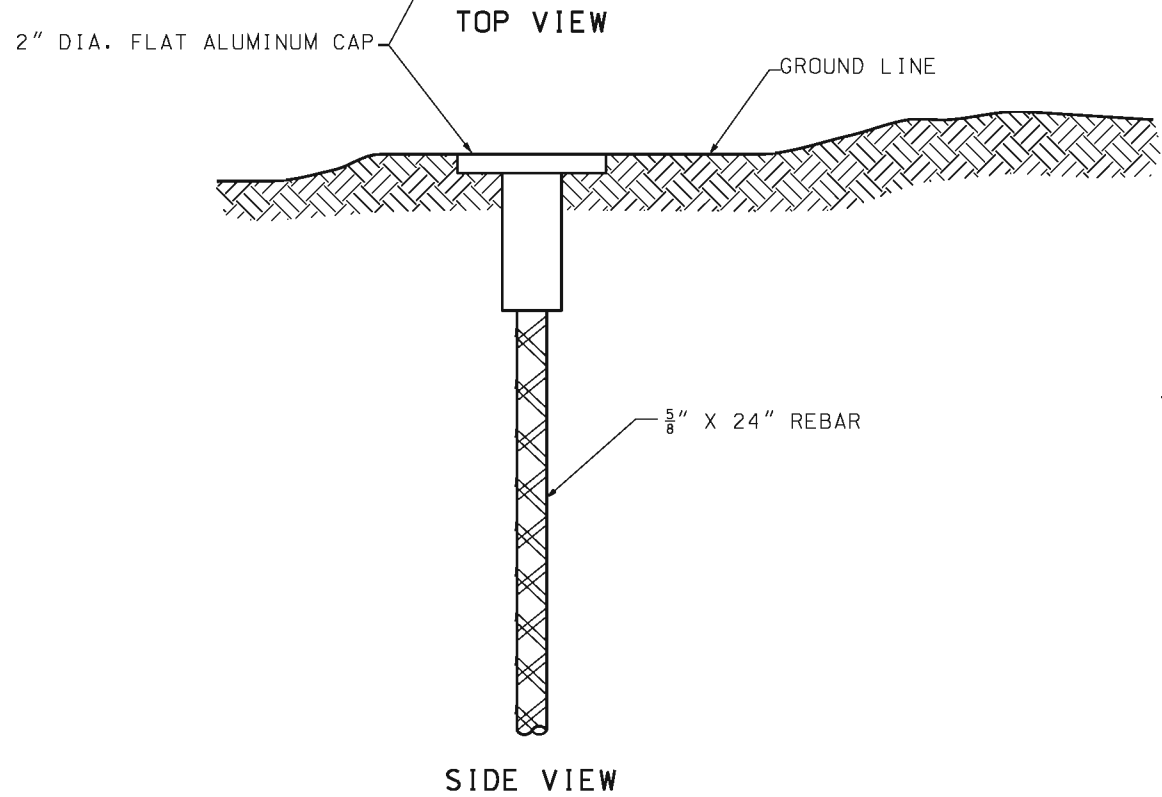
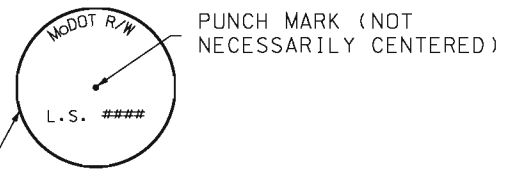
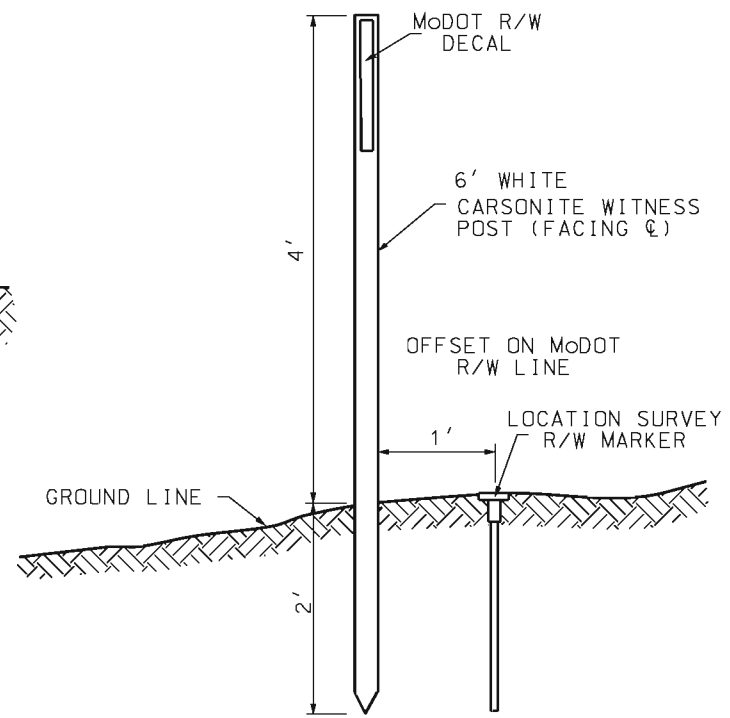


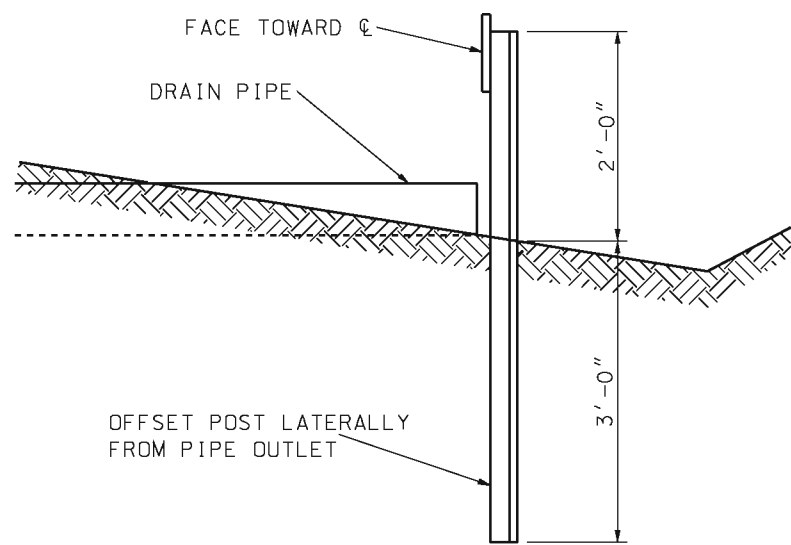
STAMP $\frac{3}{16}$ " LETTERING INTO CAP FOR "MoDOT R/W". L.S. NUMBER AND LETTERING SHALL BE $\frac{1}{8}$ " OR LARGER



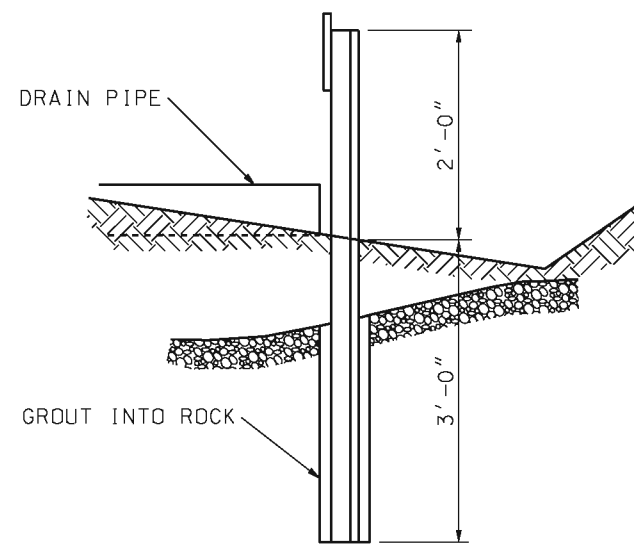
LOCATION SURVEY RIGHT-OF-WAY MARKER



WITNESS POST



IN EARTH



IN ROCK

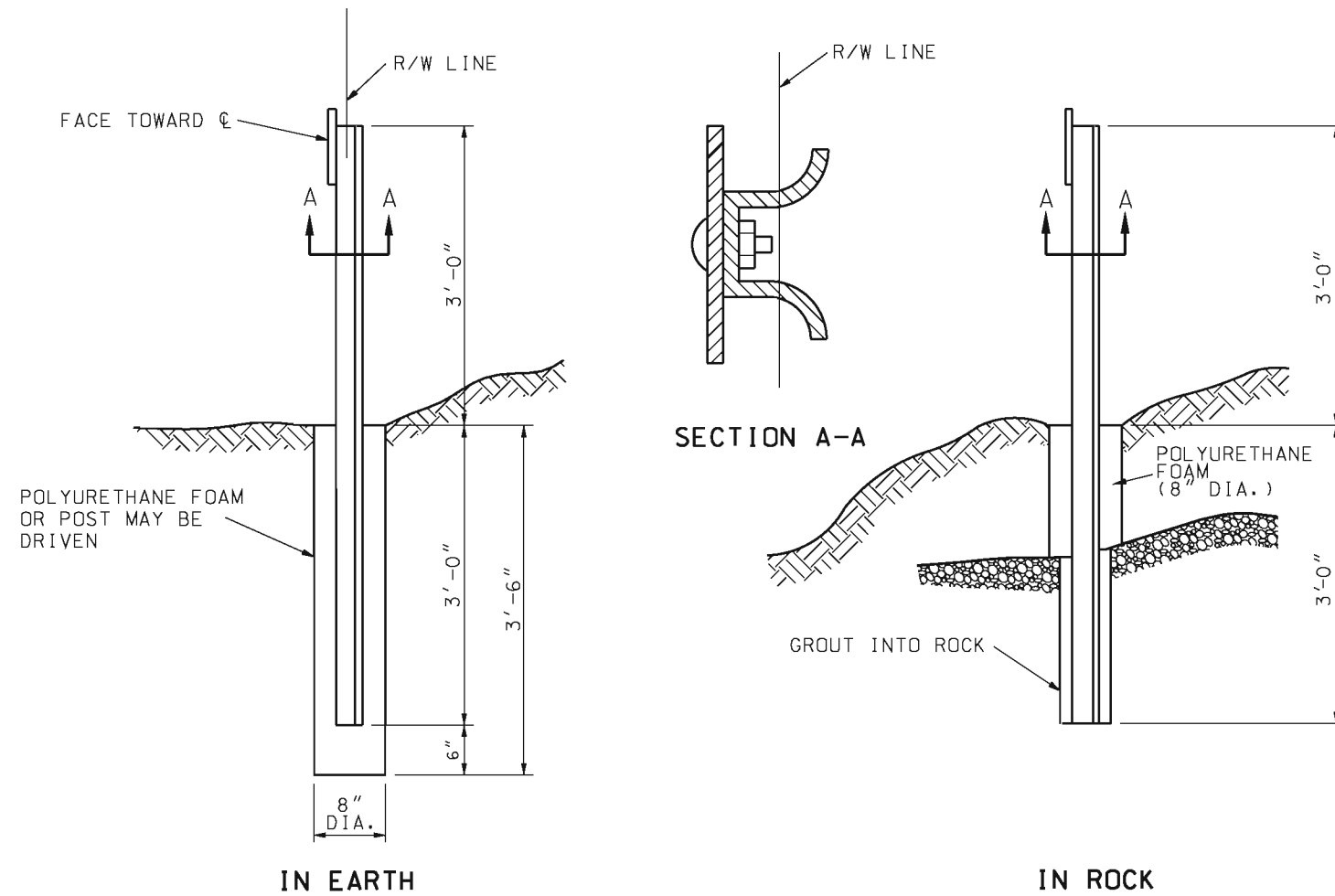
DRAIN MARKER

GENERAL NOTES:

WHEN STEEL AND LOCATION SURVEY R/W MARKERS ARE NOT SUITABLE DUE TO NATURAL GROUND FEATURES OR MAN-MADE STRUCTURES, ALTERNATIVE MONUMENTATION (IN COMPLIANCE WITH THE APPROVED MONUMENTATION, AS SPECIFIED BY THE MISSOURI MINIMUM STANDARDS FOR PROPERTY BOUNDARY SURVEYS) MAY BE SET.

	MISSOURI HIGHWAYS AND TRANSPORTATION COMMISSION 105 WEST CAPITOL JEFFERSON CITY, MO 65102 1-888-ASK-MODOT (1-888-275-6636)	
		RIGHT-OF-WAY AND DRAIN MARKERS
DATE EFFECTIVE: 01/01/2003 DATE PREPARED: 8/21/2009	602.00D	SHEET NO. 1 OF 2

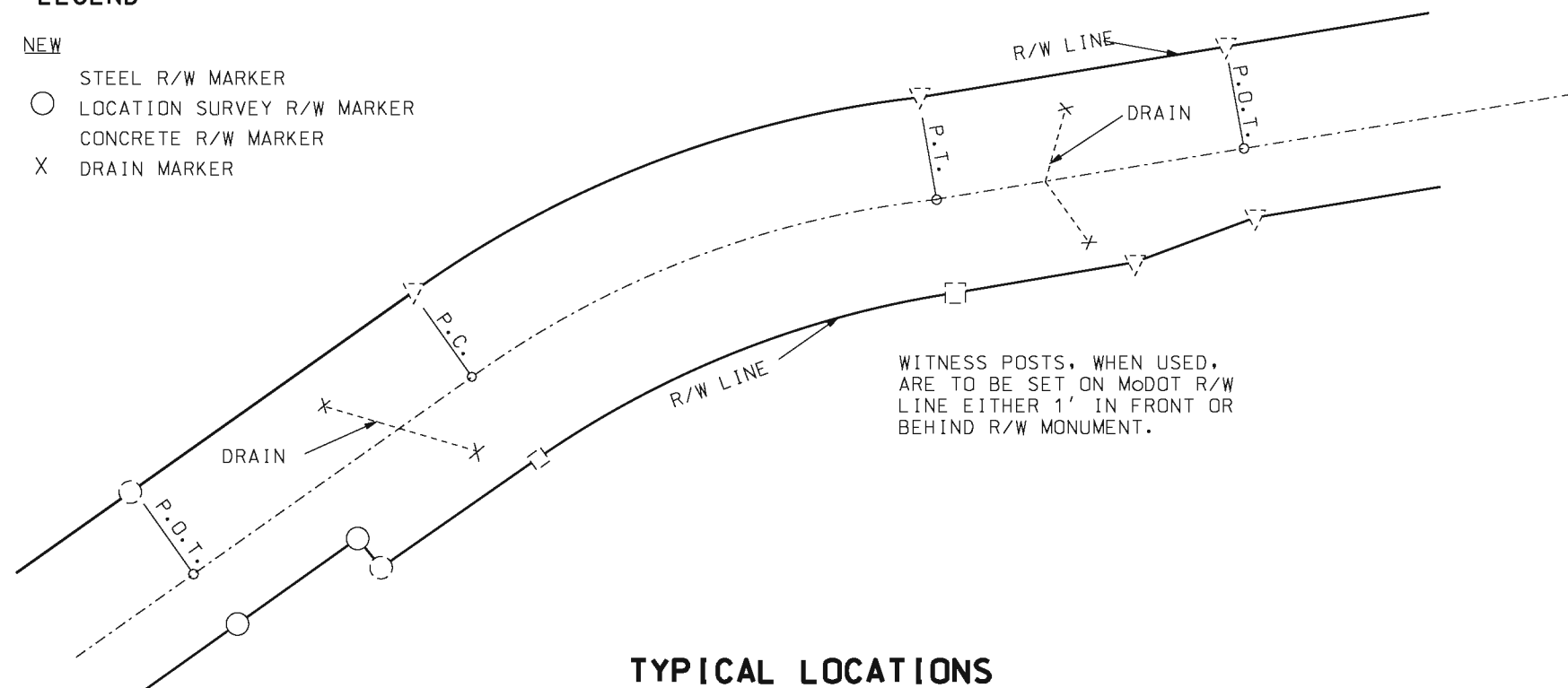
IF A SEAL IS PRESENT ON THIS SHEET IT HAS BEEN ELECTRONICALLY SEALED AND DATED.



STEEL RIGHT-OF-WAY MARKER

LEGEND

- | | | |
|-----------------|------------|----------------------------|
| EXISTING | NEW | |
| ▽ | ○ | STEEL R/W MARKER |
| ○ | ○ | LOCATION SURVEY R/W MARKER |
| □ | □ | CONCRETE R/W MARKER |
| X | X | DRAIN MARKER |



TYPICAL LOCATIONS

	MISSOURI HIGHWAYS AND TRANSPORTATION COMMISSION 105 WEST CAPITOL JEFFERSON CITY, MO 65102 1-888-ASK-MODOT (1-888-275-6636)	
		<p align="center">RIGHT-OF-WAY AND DRAIN MARKERS</p>
DATE EFFECTIVE: 01/01/2003 DATE PREPARED: 8/21/2009	<p align="center">602.00D</p>	SHEET NO. <p align="center">2 OF 2</p>

IF A SEAL IS PRESENT ON THIS SHEET IT HAS BEEN ELECTRONICALLY SEALED AND DATED.