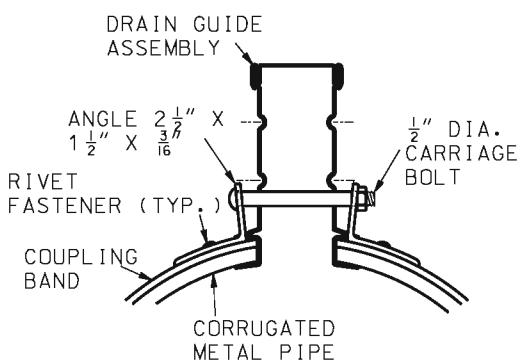
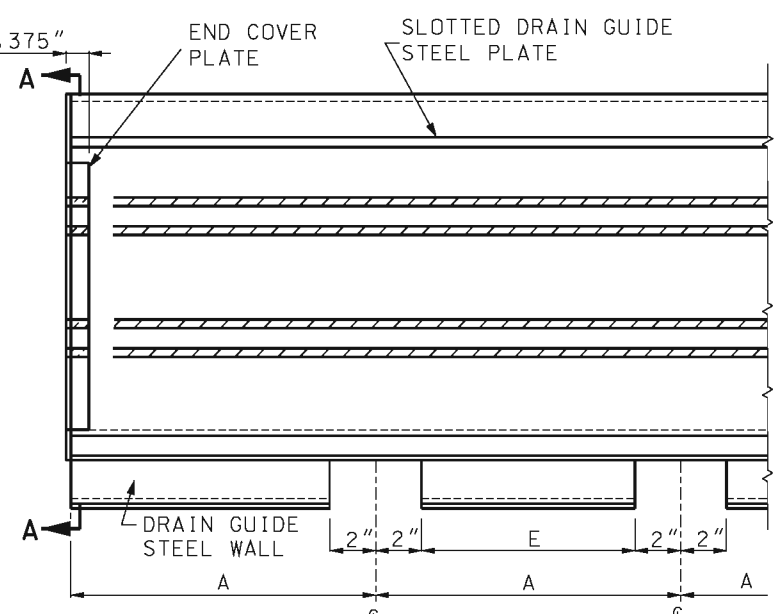
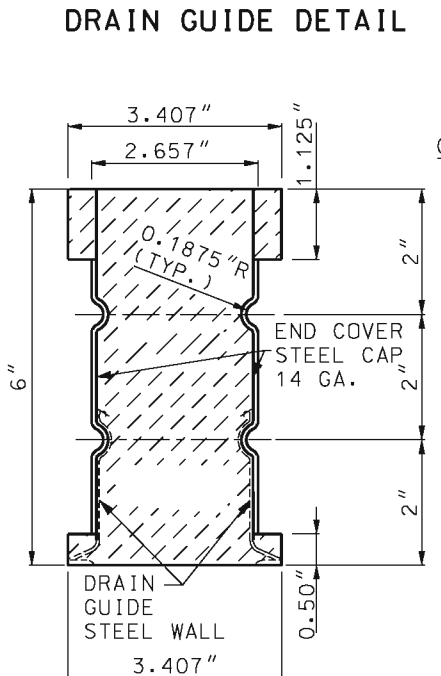
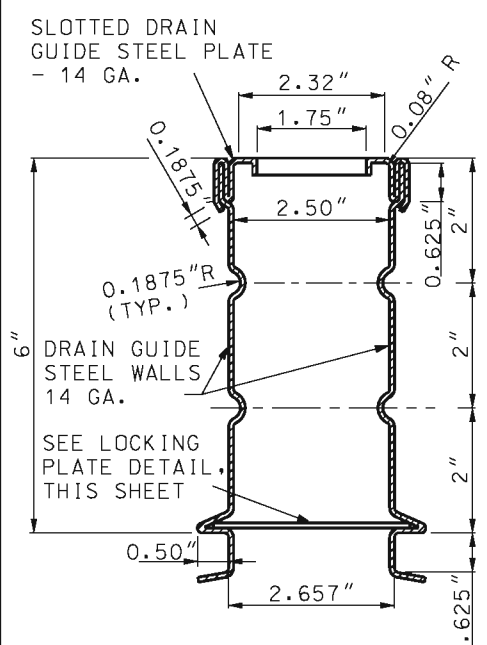
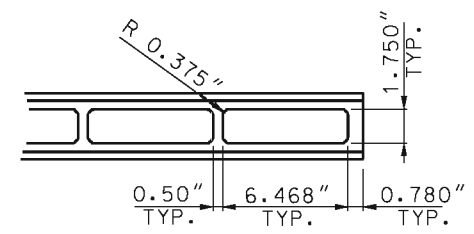
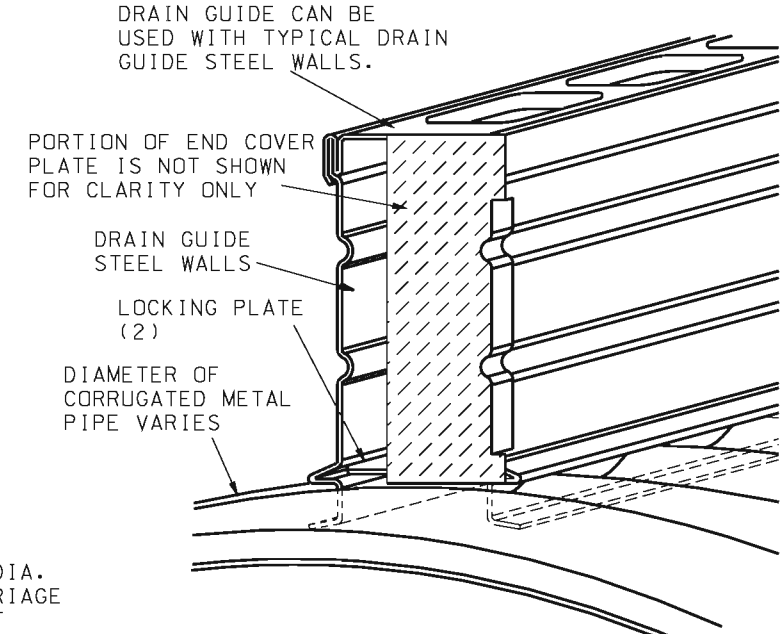


PIPE DIAMETER	DIMENSION SCHEDULE							LOCKING PLATES REQUIRED (3)	
	A	B ₁₀	G ₁₀	B ₂₀	G ₂₀	D	E	10 FT.	20 FT.
12"	31 1/2"	25 1/2"	22 1/2"	19 1/2"	16 1/2"	28 1/2"	27 1/2"	9	17
15"	27 1/2"	10"	7"	20"	17"	24 1/2"	23 1/2"	10	19
18"	26 1/4"	15"	12"	33"	3/4"	23 1/4"	22 1/4"	10	19
24"	25"	20"	17"	15"	12"	22"	21"	11	21
30"	24 3/4"	21"	18"	17 1/4"	14 1/4"	21 3/4"	20 3/4"	11	21
36"	24 5/8"	21 1/2"	18 1/2"	18 3/8"	15 3/8"	21 3/8"	20 5/8"	11	21



- ISOMETRIC DETAIL**
- (1) FOR STANDARD 10 FT., 12" DIA. PIPE, "C" = 0. FOR ALL OTHER PIPE SIZES "C" IS IN MULTIPLES OF "A".
 - (2) LOCKING PLATE TO BE INSTALLED AT:
 - A. EACH END OF DRAIN GUIDE.
 - B. EACH SEAM.
 - C. EACH MID-POINT OF OPEN SLOT.
 - (3) IN 20 FT. SECTION FOR TWO PIECE DRAIN GUIDE, INCREASE NUMBER OF LOCKING PLATES BY TWO.

DRAIN GUIDE SECTION (TYP.)

SECTION A-A

END COVER PLATE DETAIL

SIDE ELEVATION

JOINT CONNECTION SECTION

(TYPICAL FOR JOINT CONNECTION SECTION TYPE "A" AND TYPE "B")

TYPE A SLOTTED DRAIN

(FORMED SHEET)

CUT OUT SLOT FOR DRAIN GUIDE WALLS TO FIT OVER CORRUGATED METAL PIPE SEAMS (TYPICAL).

MISSOURI HIGHWAYS AND TRANSPORTATION COMMISSION

105 WEST CAPITOL
JEFFERSON CITY, MO 65102
1-888-ASK-MODOT (1-888-275-6636)

STATE OF MISSOURI
KATHRYN PHILLIPS HARVEY
NUMBER PE-23751
PROFESSIONAL ENGINEER

THIS SHEET HAS BEEN SIGNED, SEALED AND DATED ELECTRONICALLY.

DATE EFFECTIVE: 03/01/1994

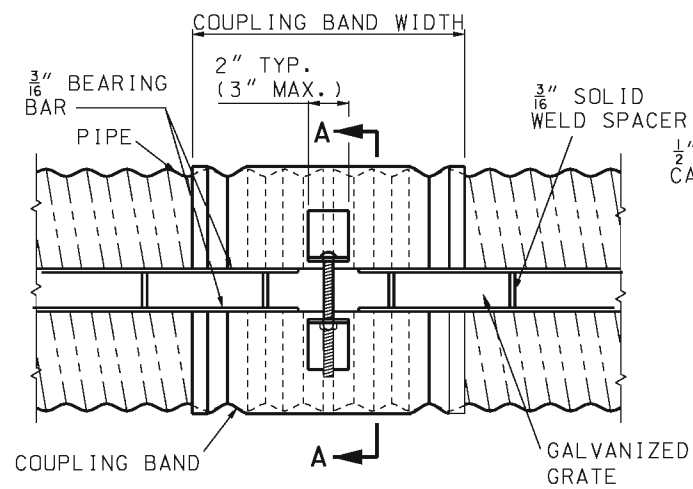
DATE PREPARED: 8/21/2009

604.70

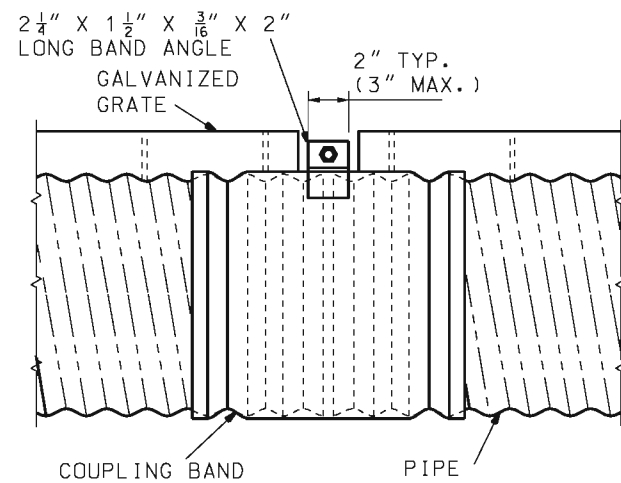
SHEET NO. 1 OF 2

SLOTTED DRAIN TYPE A

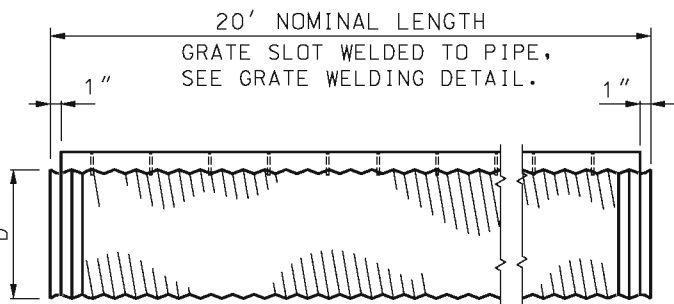
IF A SEAM IS PRESENT ON THIS SHEET IT HAS BEEN ELECTRONICALLY SEALED AND DATED.



TOP VIEW



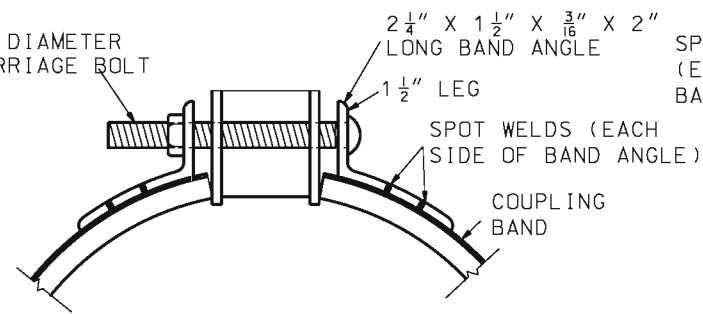
SIDE VIEW
TYPICAL COUPLING BAND



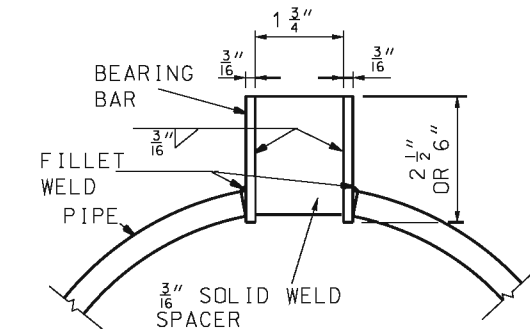
TYPICAL PIPE SECTION

D = { 1 1/2", 2", 2 1/2", 3", 4", 6" }

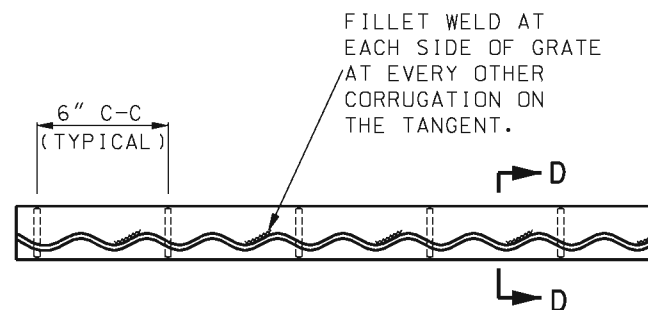
STRUCTURAL STEEL SLOTTED DRAIN
(TYPE B)



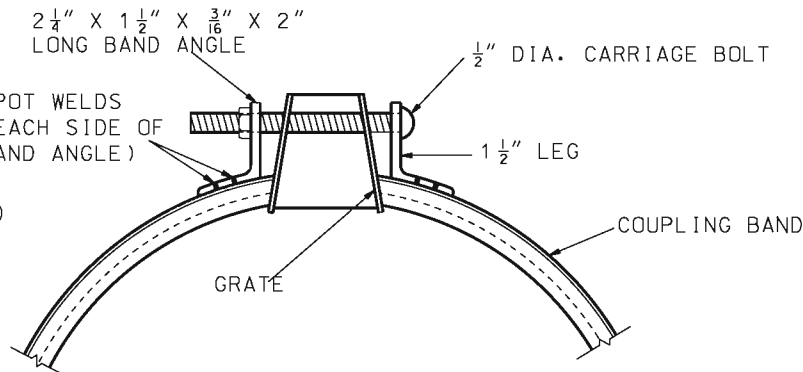
SECTION A-A



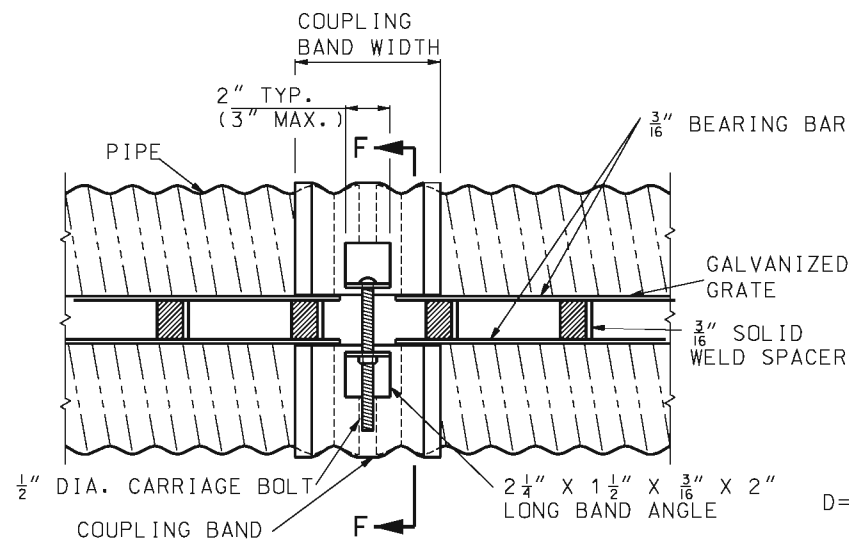
SECTION D-D



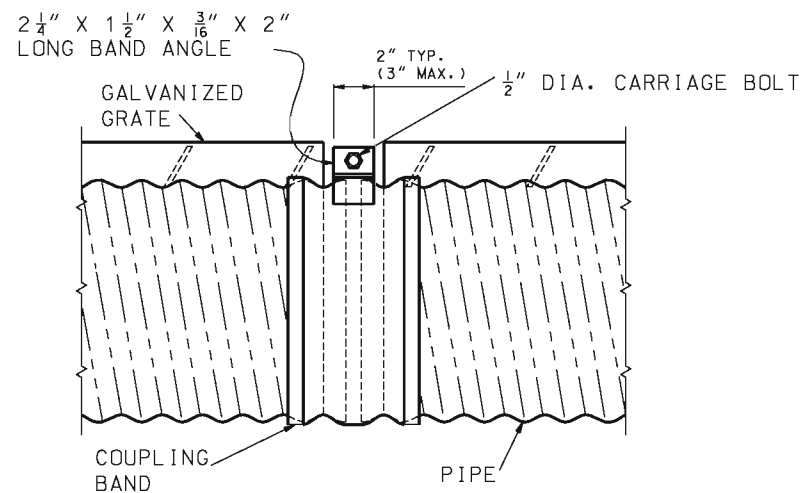
GRATE WELDING DETAIL



SECTION F-F



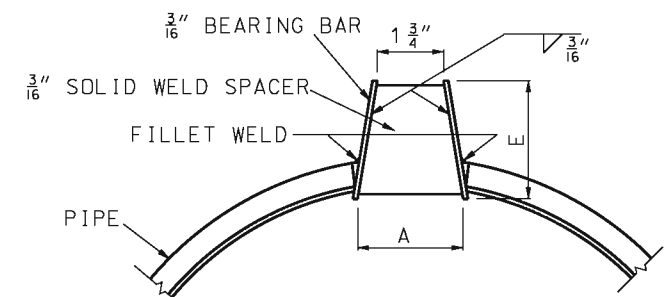
TOP VIEW



SIDE VIEW
TYPICAL COUPLING BAND

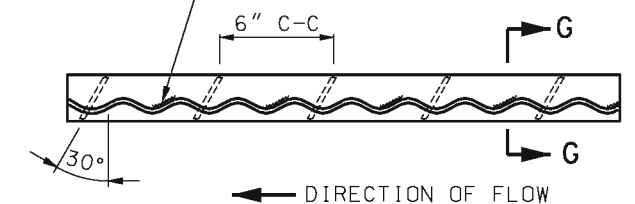
STRUCTURAL STEEL SLOTTED DRAIN
(TYPE C)

GRATE TYPE	"E"	"A"
C	2 1/2"	2 1/4"
C	6"	3"



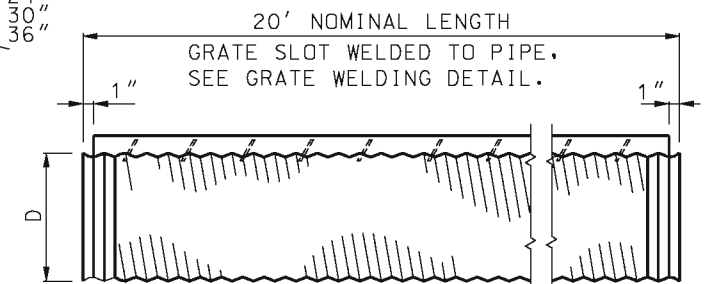
SECTION G-G

FILLET WELD AT EACH SIDE OF GRATE AT EVERY OTHER CORRUGATION ON THE TANGENT.



GRATE WELDING DETAIL

D = { 1 1/2", 2", 2 1/2", 3", 4", 6" }

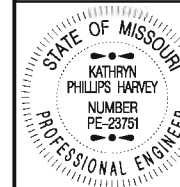


TYPICAL PIPE SECTION



MISSOURI HIGHWAYS AND TRANSPORTATION COMMISSION

105 WEST CAPITOL
JEFFERSON CITY, MO 65102
1-888-ASK-MODOT (1-888-275-6636)



THIS SHEET HAS BEEN SIGNED, SEALED AND DATED ELECTRONICALLY.

SLOTTED DRAIN
TYPE B AND TYPE C

DATE EFFECTIVE: 03/01/1994
DATE PREPARED: 8/21/2009

604.70

SHEET NO.
2 OF 2

IF A SEAL IS PRESENT ON THIS SHEET IT HAS BEEN ELECTRONICALLY SEALED AND DATED.