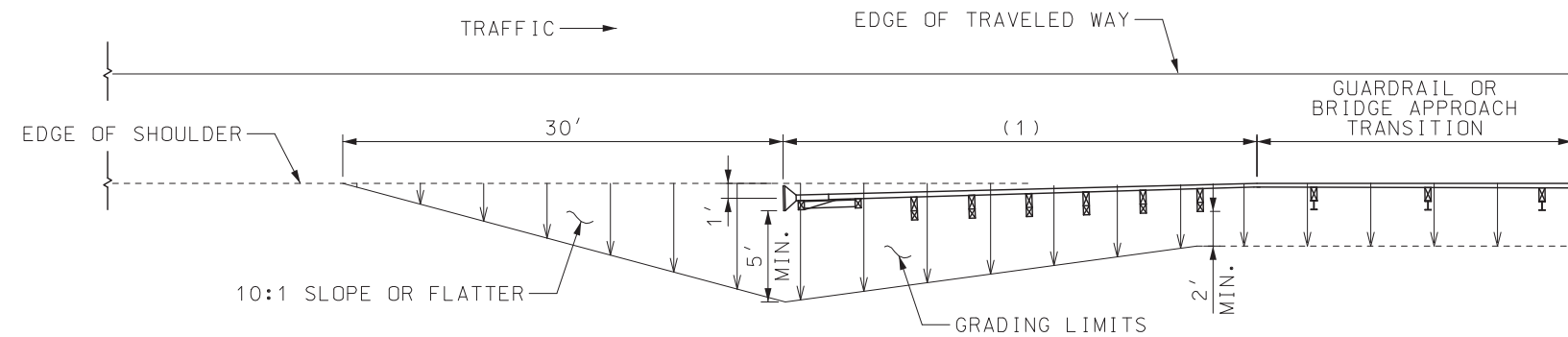
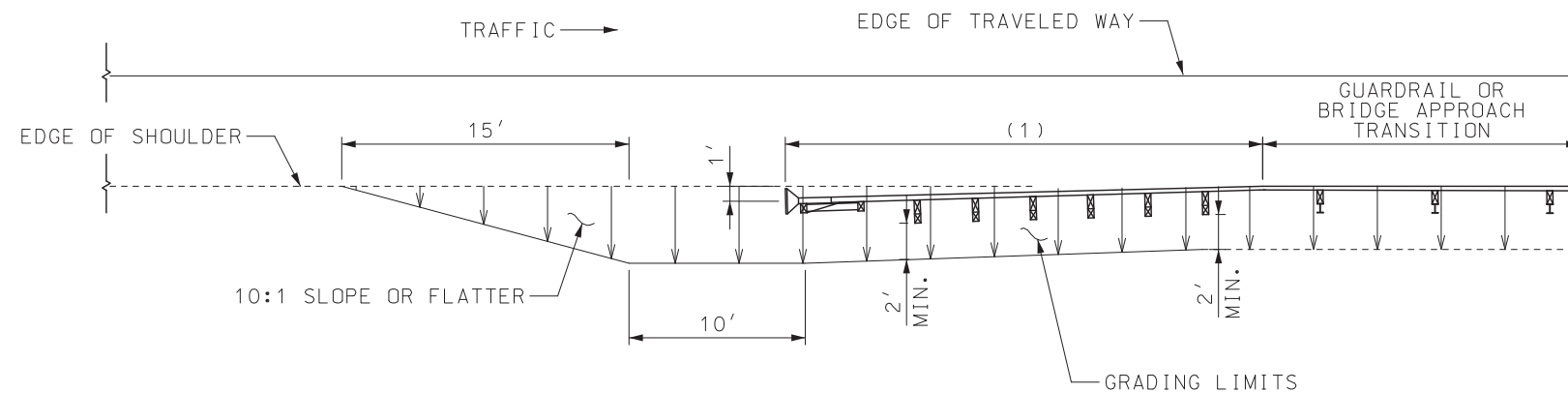


GRADING LIMITS FOR FLARED CRASHWORTHY END TERMINALS



STANDARD GRADING LIMITS FOR CRASHWORTHY END TERMINALS



ALTERNATE GRADING LIMITS FOR CRASHWORTHY END TERMINALS


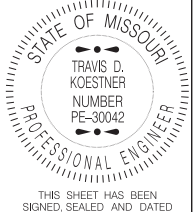
GENERAL NOTES:

STANDARD GRADING LIMITS SHALL BE USED WHEN CONSTRUCTING A NEW ROADBED. ALTERNATE GRADING LIMITS ARE ALLOWABLE ON EXISTING ROADBEDS EXCEPT WHEN STANDARD GRADING IS INDICATED ON THE PLANS.

THE CONTRACTOR SHALL PROVIDE THE ENGINEER WITH APPROVED SHOP DRAWINGS OF THE MASH APPROVED CRASHWORTHY END TERMINAL.

END ANCHORS SHALL BE INSTALLED ON ENDS OF GUARDRAIL RUNS WHERE CRASHWORTHY END TERMINALS ARE NOT REQUIRED.

(1) APPROVED CRASHWORTHY END TERMINAL

	<b>MISSOURI HIGHWAYS AND TRANSPORTATION COMMISSION</b> 105 WEST CAPITOL JEFFERSON CITY, MO 65102 1-888-ASK-MODOT (1-888-275-6636)	
		<b>MASH CRASHWORTHY END TERMINALS TYPE A GRADING LIMITS</b>
DATE EFFECTIVE: 10/01/2019 DATE PREPARED: 7/18/2019	<b>606.81B</b>	SHEET NO. <b>1 OF 1</b>

IF A SEAL IS PRESENT ON THIS SHEET IT HAS BEEN ELECTRONICALLY SEALED AND DATED.