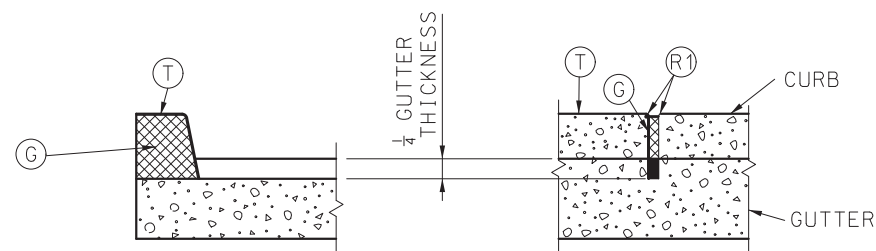
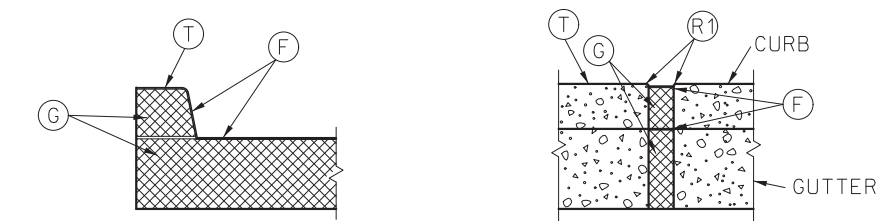


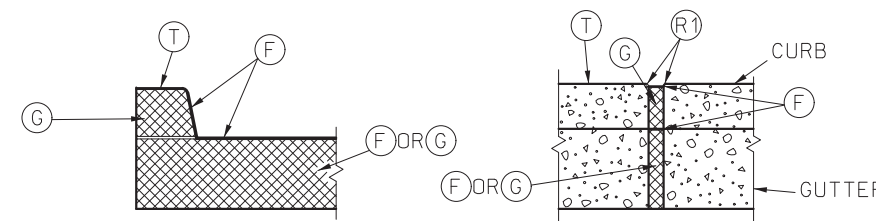
PLAN OF MEASUREMENT OF CURB & GUTTER AND JOINT PLAN



(C1) JOINT



(E1) JOINT



(E2) JOINT

LEGEND

- (C1) 1/8" MAXIMUM WIDTH TRANSVERSE CONTRACTION JOINT (PREFORMED OR SAWED).
- (E1) 2" TRANSVERSE EXPANSION JOINT (PREFORMED OR SAWED).
- (E2) 1/2" TRANSVERSE EXPANSION JOINT (PREFORMED OR SAWED).
- (F) FILLER FOR JOINTS - HOT POURED.
- (G) PREFORMED JOINT FILLER MATERIAL.
- (L2) LONGITUDINAL JOINT WITH TIE BARS.
- (L3) LONGITUDINAL JOINT WITHOUT TIE BARS.
- (N) NOT LESS THAN 10' OR MORE THAN 30'.
- (T) TOP OF CURB.
- (R1) ROUND TO 1/4" RADIUS (EXCEPT FOR SAWED JOINTS).

GENERAL NOTES:

A MINIMUM 4" TYPE 1 OR 5 AGGREGATE BASE SHALL BE PLACED BENEATH ALL CURB AND GUTTER SECTIONS AND INCLUDED WITHIN THE MAINLINE BASE PAY LIMITS.

WHEN CURBS ARE CONSTRUCTED DIRECTLY BENEATH GUARDRAIL, CURB HEIGHT SHALL BE 4 INCH BARRIER CURB, AS SHOWN ON STANDARD PLAN 606.00.

CURB, GUTTER AND CURB AND CUTTER CONSTRUCTED ALONG AND ATTACHED TO CONCRETE PAVEMENT OR BASE SHALL HAVE:

1. JOINT (C1) ONE-QUARTER DEPTH OF CURB AND GUTTER THICKNESS AS A CONTINUATION OF EACH CONTRACTION JOINT IN THE BASE OR PAVEMENT.
2. JOINT (E1) AS CONTINUATION OF 2" EXPANSION JOINT (E) IN THE CONCRETE BASE OR PAVEMENT SHALL EXTEND AND CONTINUE THROUGH THE CURB, CUTTER AND CURB AND GUTTER.
3. JOINT (E2) THROUGH CURB AND CURB AND CUTTER AT THE BEGINNING AND END OF EACH PAVED APPROACH.

CURB, CURB AND GUTTER AND GUTTER CONSTRUCTED APART OR SEPARATED FROM CONCRETE BASE OR PAVEMENT OR AS A FORM FOR ASPHALTIC CONCRETE PAVEMENT SHALL HAVE A JOINT (E2) ENTIRELY THROUGH THE CURB, CURB AND GUTTER AND GUTTER, AT THE BEGINNING AND END OF EACH "PAVED APPROACH" AND A JOINT (C1) TO 1/4 DEPTH OF CURB AND GUTTER THICKNESS AT INTERVALS OF 30 FEET BETWEEN APPROACHES.

JOINTS (E1) AND (E2) THROUGH CURB SHALL BE FILLED WITH PREFORMED FILLER MATERIAL AND SEALED WITH HOT POURED FILLER FOR JOINTS.

JOINT (E1) IN GUTTER SHALL BE FILLED WITH PREFORMED FILLER AND SEALED WITH HOT FILLER MATERIAL.

JOINT (E2) IN GUTTER SHALL BE FILLED WITH PREFORMED FILLER AND SEALED WITH FILLER OR FILLED WITH HOT POURED FILLER.

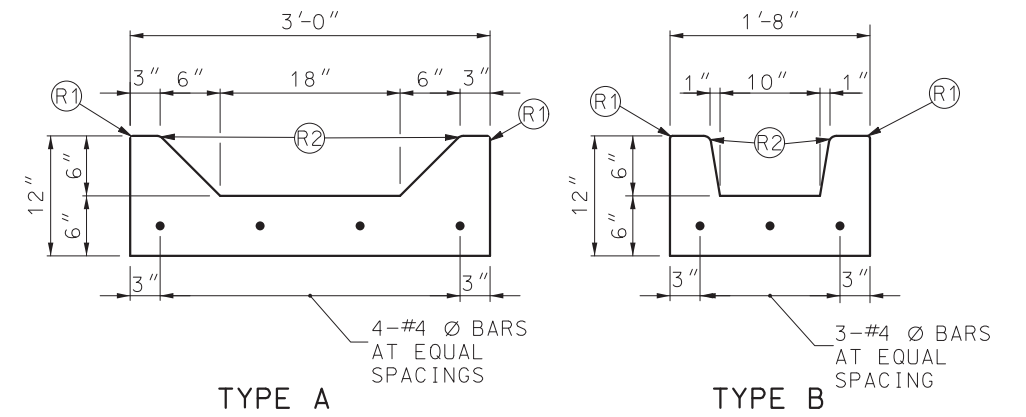
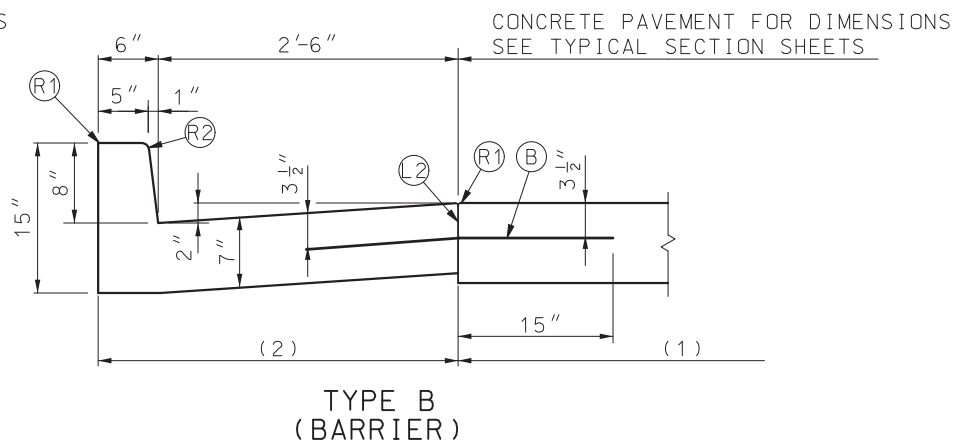
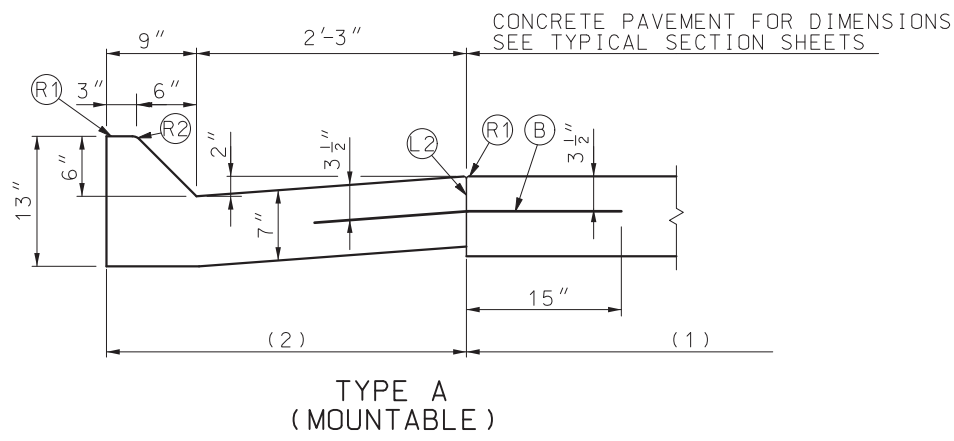
PREFORMED FILLER MATERIAL SHALL BE PLACED TO PROVIDE 1" HOT POURED FILLER FOR JOINTS.

THE BARRIER CLASS CURBS MAY BE CONSTRUCTED WITHOUT BATTER WHEN CONSTRUCTED ON A RADIUS OF 6 FEET OR LESS. THE (R2) WILL BE REQUIRED.

WHERE A SIDEWALK INTERSECTS A CURB, THE SIDEWALK SHALL BE RAMPED NO STEEPER THAN 12:1 SLOPE TO PROVIDED ACCESS FOR WHEELCHAIR ACROSS APPROACHES.

PRECAST TYPE A AND B GUTTER ARE ONLY ALLOWED WHEN CONSTRUCTABILITY ISSUES MAKE CAST IN PLACE NOT PRACTICAL. PRECAST IS ONLY ALLOWED WITH THE APPROVAL OF THE ENGINEER. WHEN ALLOWED BY THE ENGINEER, TYPES A AND B GUTTER MAY BE PRECAST TO CONFORM TO THE DIMENSIONS SHOWN. THE PRECASTER SHALL SUBMIT SHOP DRAWINGS INDICATING THE SECTION LENGTH, SECTION CONNECTION, AND PROPOSED JOINT SEALING SYSTEM. WHEN PRECAST SECTIONS CANNOT CONFORM TO ANY VERTICAL OR HORIZONTAL CURVE THEN CAST IN PLACE IS THE ONLY OPTION. A COMBINATION OF CAST IN PLACE AND PRECAST GUTTER MAY BE PERMITTED.

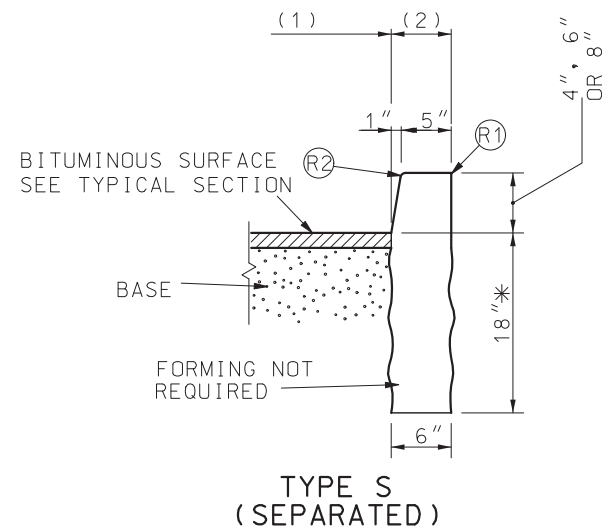
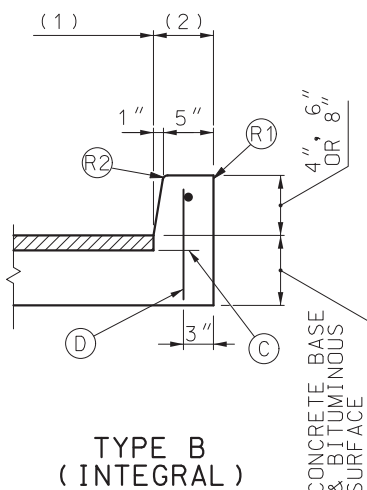
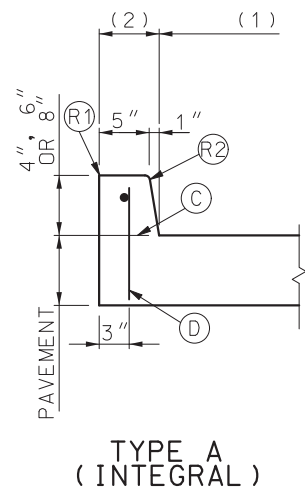
	MISSOURI HIGHWAYS AND TRANSPORTATION COMMISSION	
	105 WEST CAPITOL JEFFERSON CITY, MO 65102 1-888-ASK-MODOT (1-888-275-6636)	
	CONCRETE CURB, CURB AND GUTTER, AND GUTTER	
	DATE EFFECTIVE: 1/1/2025 DATE PREPARED: 10/4/2024	609.00R



CURB & GUTTER

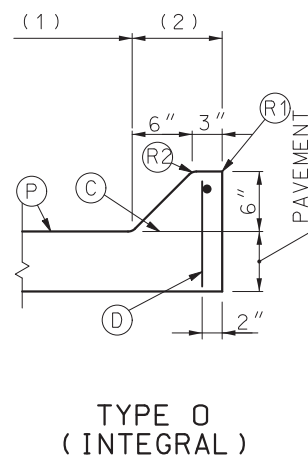
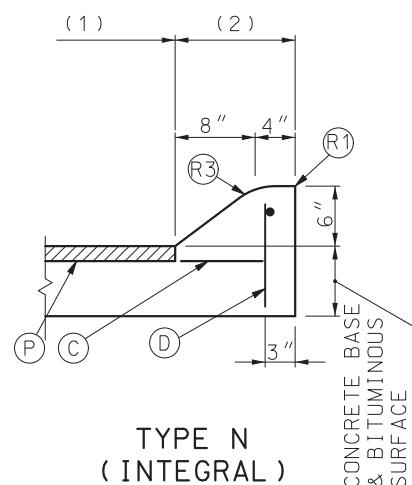
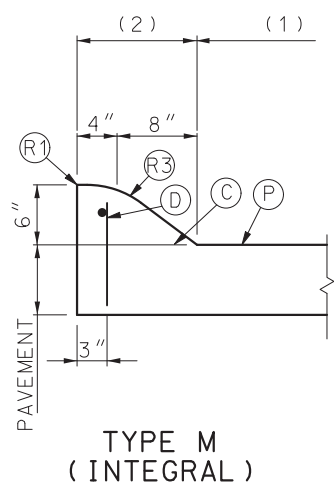
GUTTERS

SEE STANDARD PLAN 607.11 FOR MODIFIED TYPE A AND B GUTTERS

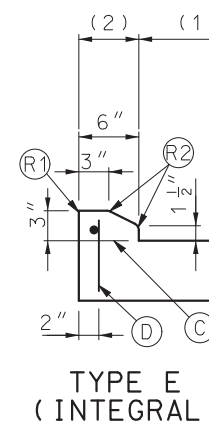
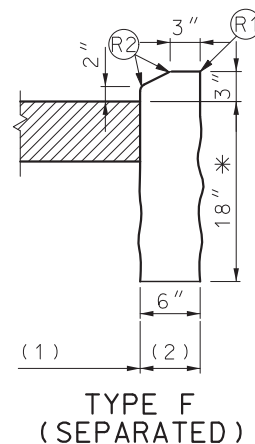


BARRIER CURBS

- LEGEND
- (B) TIE BARS - 30" X #5 Ø AT 30" CTRS.
 - (C) PERMISSIBLE CONSTRUCTION JOINT. IF CONSTRUCTED IN THIS MANNER LONGITUDINAL AND TIE BARS MUST BE USED.
 - (D) #3 OR #4 Ø EPOXY COATED LONGITUDINAL AND TIE BARS. LONGITUDINAL BAR GAPPED 4" AT JOINTS AND ANY SPLICES LAPPED 8". TIE BARS AT 24" CENTERS AND LENGTH EQUALS THICKNESS OF PAVEMENT PLUS HEIGHT OF CURB MINUS 3". MINIMUM 1" COVER OVER ALL BARS.
 - (L2) LONGITUDINAL JOINT WITH TIE BARS.
 - (P) TOP OF PAVEMENT OR CONCRETE BASE.
 - (R1) ROUND TO 1/4" RADIUS (EXCEPT FOR SAWED JOINTS).
 - (R2) ROUND TO 3/4" RADIUS.
 - (R3) CONSTRUCT TO 9" RADIUS.
 - (1) PAY LIMIT FOR PAVEMENT
 - (2) PAY LIMIT FOR CURB, OR CURB & GUTTER.



MOUNTABLE CURBS



LOW PROFILE CURB

BEGINNING AND ENDING OF INTRODUCED LOW PROFILE CURB SHALL UTILIZE CURB HEIGHT RUNOUT FORM 0 INCHES TO 3 INCHES IN 5 FEET. PAYMENT LENGTH SHALL INCLUDE TAPERS.

* DEPTH MAY BE REDUCED IF KEYED 6" IN ROCK.

<p>MISSOURI HIGHWAYS AND TRANSPORTATION COMMISSION</p> <p>105 WEST CAPITOL JEFFERSON CITY, MO 65102 1-888-ASK-MODOT (1-888-275-6636)</p>	
<p>STATE OF MISSOURI KENNETH L. VOSS NUMBER PE-2002016747 PROFESSIONAL ENGINEER</p> <p>THIS SHEET HAS BEEN SIGNED, SEALED AND DATED ELECTRONICALLY.</p>	<p>CONCRETE CURB, CURB AND GUTTER, AND GUTTER</p>
<p>DATE EFFECTIVE: 1/1/2025 DATE PREPARED: 10/4/2024</p>	<p>609.00R</p> <p>SHEET NO. 2 OF 2</p>