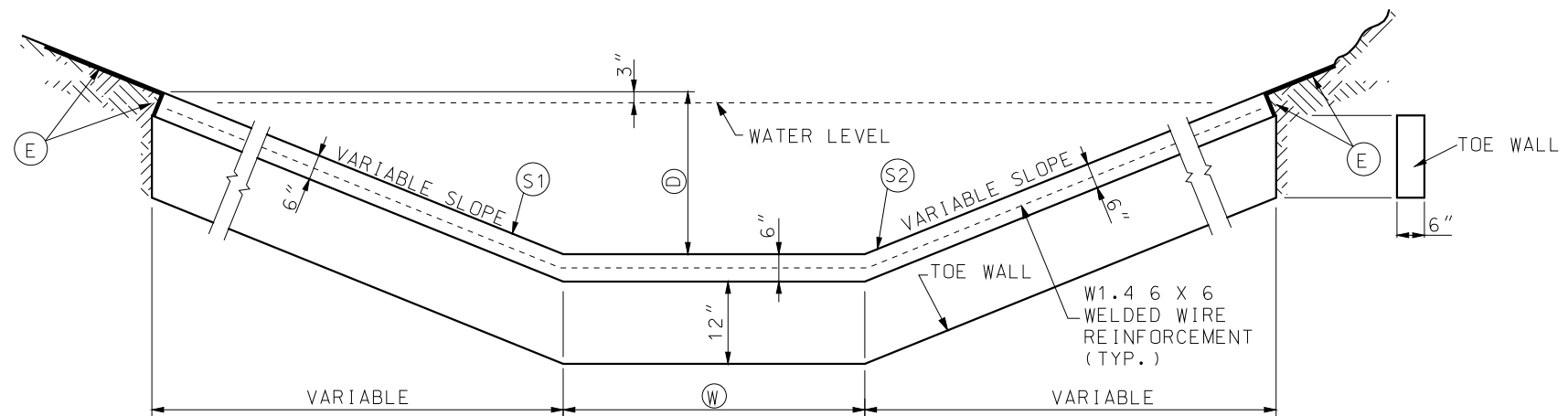


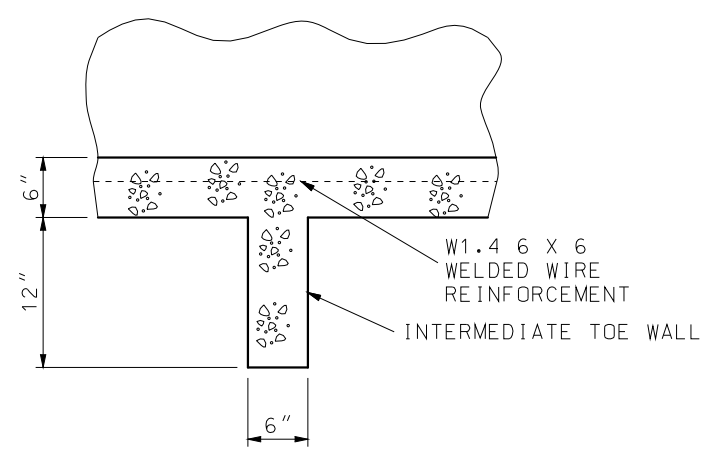
IF A SEAL IS PRESENT ON THIS SHEET IT HAS BEEN ELECTRONICALLY SEALED AND DATED.



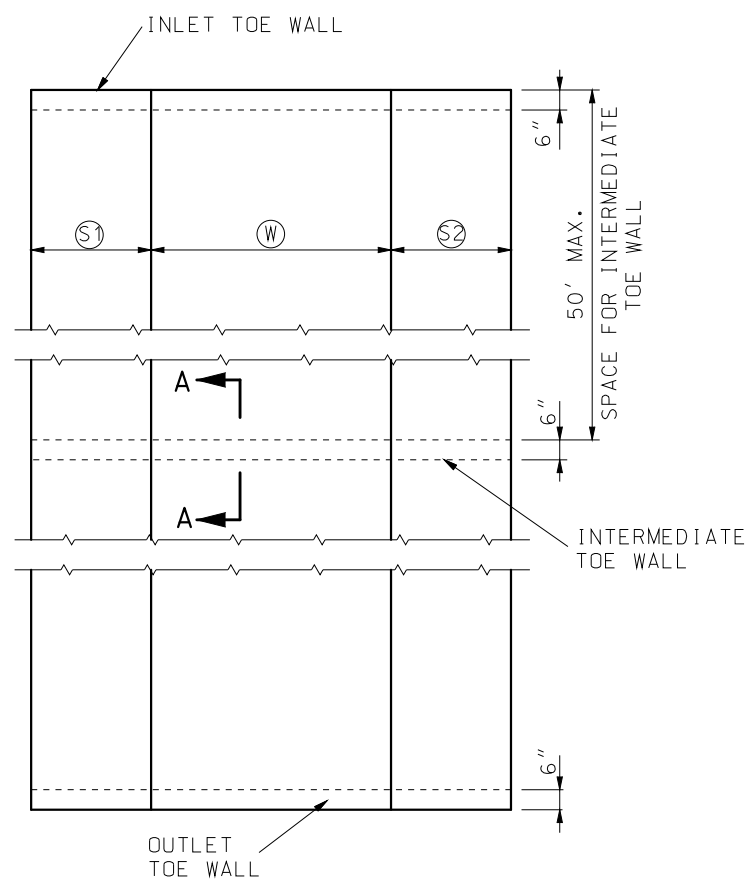
SECTION THROUGH DITCH
(SHOWING TOE WALL)

LEGEND

- ⓓ VERTICAL PAVED DITCH HEIGHT.
- ⓔ SOD, GEOTEXTILE FABRIC, OR EROSION CONTROL MAT, IF REQUIRED.
- Ⓢ1 THE WIDTH OF THE STEEPER SIDEWALL OF ALL DITCHES.
- Ⓢ2 THE WIDTH OF THE FLATTER SIDEWALL OF ALL DITCHES.
- Ⓦ THE WIDTH OF THE BOTTOM OF A FLAT BOTTOM DITCH




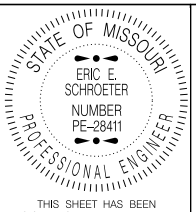
SECTION A-A



PLAN

GENERAL NOTES:

- STEEL WELDED WIRE REINFORCEMENT SHALL BE IN ACCORDANCE WITH SEC 1036.3.3.
- SOD, GEOTEXTILE FABRIC, OR EROSION CONTROL MATS SHALL BE USED ALONG THE SIDES IF SHOWN ON THE PLANS, OR AS DIRECTED BY THE ENGINEER.
- TOE WALLS SHALL BE CONSTRUCTED AT INLET AND OUTLET ENDS OF PAVED DITCHES AND AT 50' MAXIMUM SPACING FOR INTERMEDIATE TOE WALLS.

	<p>MISSOURI HIGHWAYS AND TRANSPORTATION COMMISSION</p> <p>105 WEST CAPITOL JEFFERSON CITY, MO 65102 1-888-ASK-MODOT (1-888-275-6636)</p>
	<p>PAVED DITCHES</p>
<p>DATE EFFECTIVE: 07/01/2016 DATE PREPARED: 5/13/2016</p>	<p>609.15D</p>
<p>SHEET NO. 1 OF 1</p>	