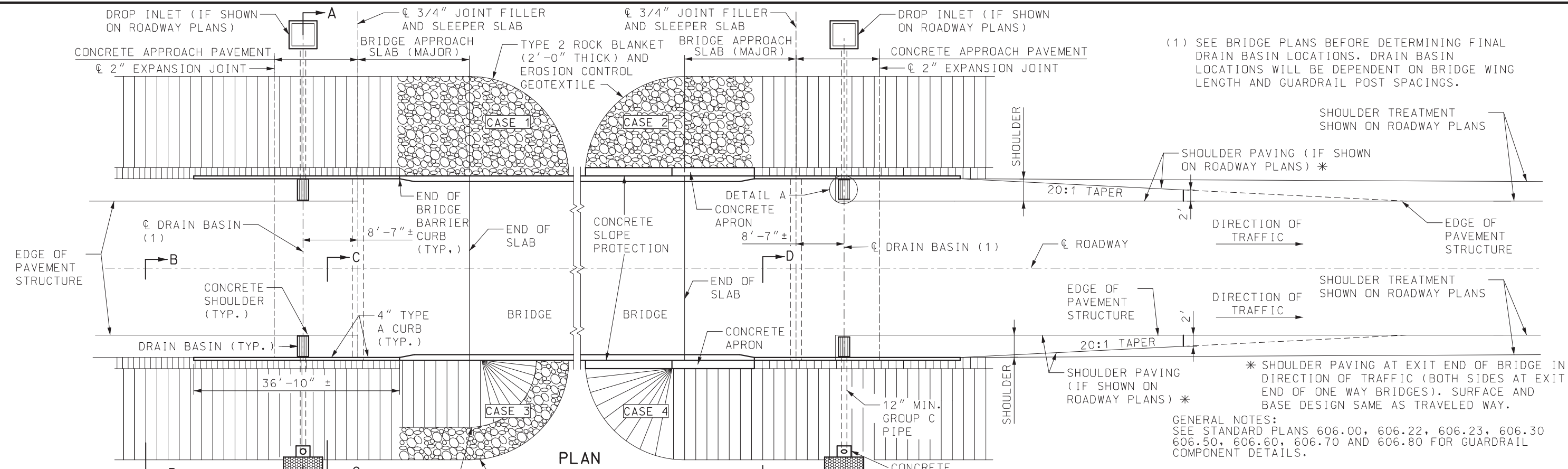


IF A SEAL IS PRESENT ON THIS SHEET IT HAS BEEN ELECTRONICALLY SEALED AND DATED.



(1) SEE BRIDGE PLANS BEFORE DETERMINING FINAL DRAIN BASIN LOCATIONS. DRAIN BASIN LOCATIONS WILL BE DEPENDENT ON BRIDGE WING LENGTH AND GUARDRAIL POST SPACINGS.

* SHOULDER PAVING AT EXIT END OF BRIDGE IN DIRECTION OF TRAFFIC (BOTH SIDES AT EXIT END OF ONE WAY BRIDGES). SURFACE AND BASE DESIGN SAME AS TRAVELED WAY.

GENERAL NOTES:
SEE STANDARD PLANS 606.00, 606.22, 606.23, 606.30, 606.50, 606.60, 606.70 AND 606.80 FOR GUARDRAIL COMPONENT DETAILS.

FOR DETAILS OF BRIDGE APPROACH SLAB (MAJOR), SEE BRIDGE PLANS.

CONSTRUCT DRAIN BASINS WHEN SHOWN ON ROADWAY PLANS. IF DRAIN BASINS ARE OMITTED OR TYPE A CURB DOES NOT EXTEND BEYOND GUARDRAIL POST NO. 11 USE BRIDGE APPROACH TRANSITION (MINOR ROUTE), SEE STD. PLAN 606.60 SHEET 2 OF 6.

TYPE A CURB IS TO BE CONSTRUCTED TO THE END OF THE BRIDGE APPROACH TRANSITION WHEN DRAIN BASINS ARE REQUIRED. SEE STANDARD PLAN 609.00 FOR TYPE A CURB.

SEE STANDARD PLAN 504.00 FOR DETAILS OF CONCRETE APPROACH PAVEMENT.

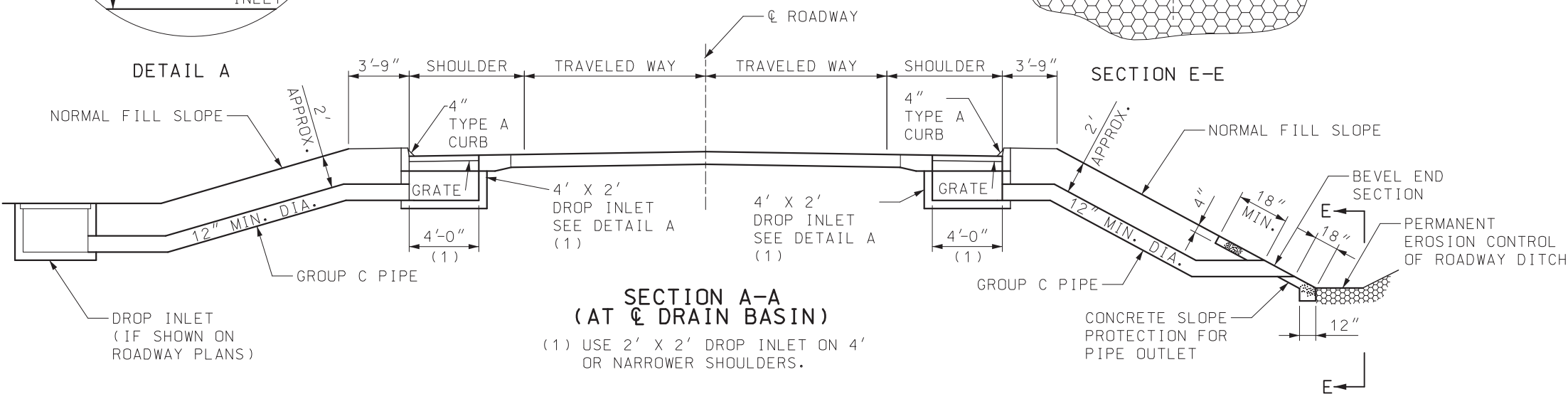
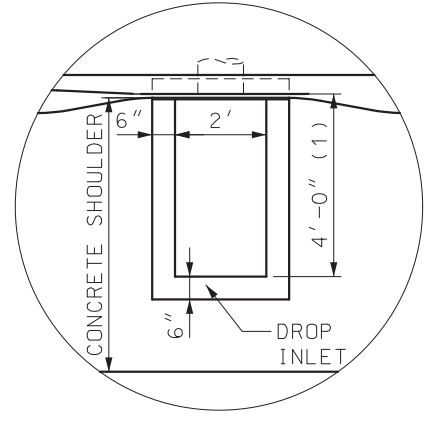
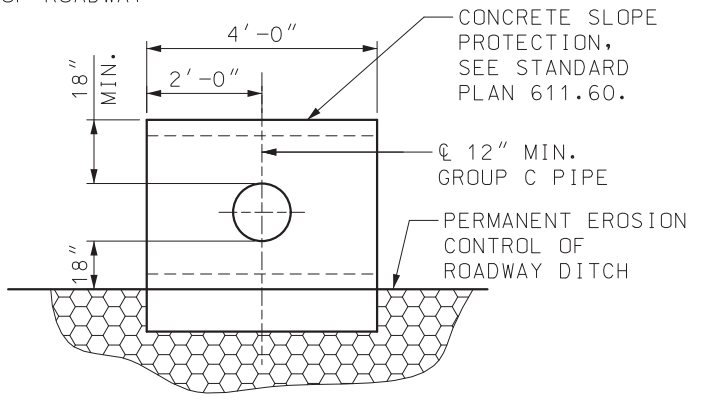
FOR DETAILS OF GRATES AND BEARING PLATES FOR DROP INLET, SEE STANDARD PLANS 614.10 AND 614.11.

FOR DETAILS OF DROP INLET FOR ROADWAY SURFACE, SEE STANDARD PLAN 731.10. USE TYPE A DROP INLET AND USE DEPTH OF DROP INLET AS SHOWN ON ROADWAY PLANS.

PAYMENT FOR DROP INLET, GRATE, GROUP C PIPE, CONCRETE SLOPE PROTECTION AT PIPE OUTLETS, MATERIAL AND INSTALLATION WILL BE PAID FOR AT THE CONTRACT UNIT PRICE FOR DRAIN BASIN PER EACH.

FOR DETAILS OF SECTION B-B, C-C AND D-D, SEE SHEET 2 OF 3.

CASE	FILL SLOPE PROTECTION
1	ROCK BLANKET FILL SLOPE
2	ROCK BLANKET FILL SLOPE WITH CONCRETE SLOPE PROTECTION
3	FILL SLOPE WITH PARTIAL ROCK BLANKET
4	FILL SLOPE WITH CONCRETE SLOPE PROTECTION



SECTION A-A (AT & DRAIN BASIN)
(1) USE 2' X 2' DROP INLET ON 4' OR NARROWER SHOULDERS.

MISSOURI HIGHWAYS AND TRANSPORTATION COMMISSION

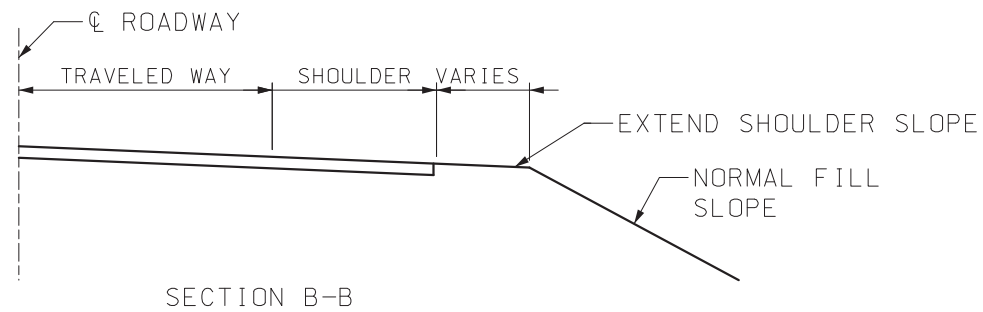
105 WEST CAPITOL
JEFFERSON CITY, MO 65102
1-888-ASK-MODOT (1-888-275-6636)

DRAIN BASIN, SHOULDER PAVING AND FILL SLOPE AT BRIDGE ENDS

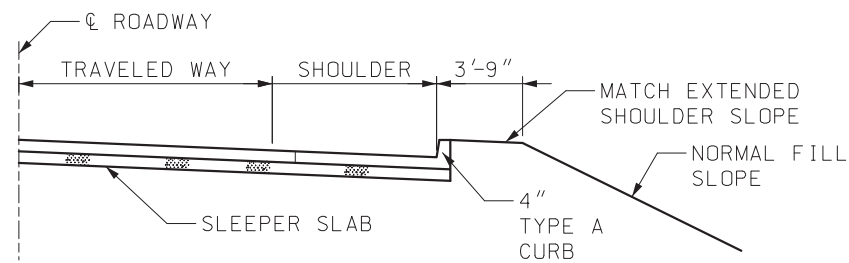
(MAJOR ROUTE)

DATE EFFECTIVE: 10/1/2023
DATE PREPARED: 7/6/2023

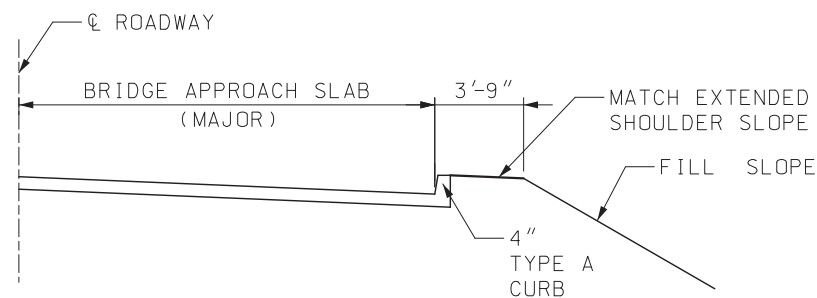
SHEET NO.
1 OF 3



SECTION B-B

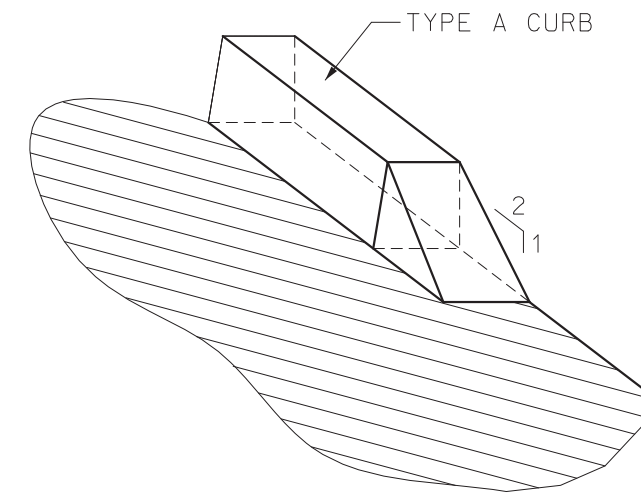


SECTION C-C



SECTION D-D

NOTE: FOR DETAILS NOT SHOWN,
SEE OTHER SECTIONS.



TYPE A CURB
TRANSITION DETAIL

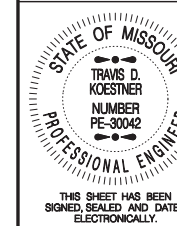
GENERAL NOTE:

FOR LOCATION OF SEC. B-B, C-C AND D-D, SEE
SHEET 1 OF 3.



MISSOURI HIGHWAYS AND TRANSPORTATION
COMMISSION

105 WEST CAPITOL
JEFFERSON CITY, MO 65102
1-888-ASK-MODOT (1-888-275-6636)



THIS SHEET HAS BEEN
SIGNED, SEALED AND DATED
ELECTRONICALLY.

DRAIN BASIN, SHOULDER
PAVING AND FILL SLOPE
AT BRIDGE ENDS

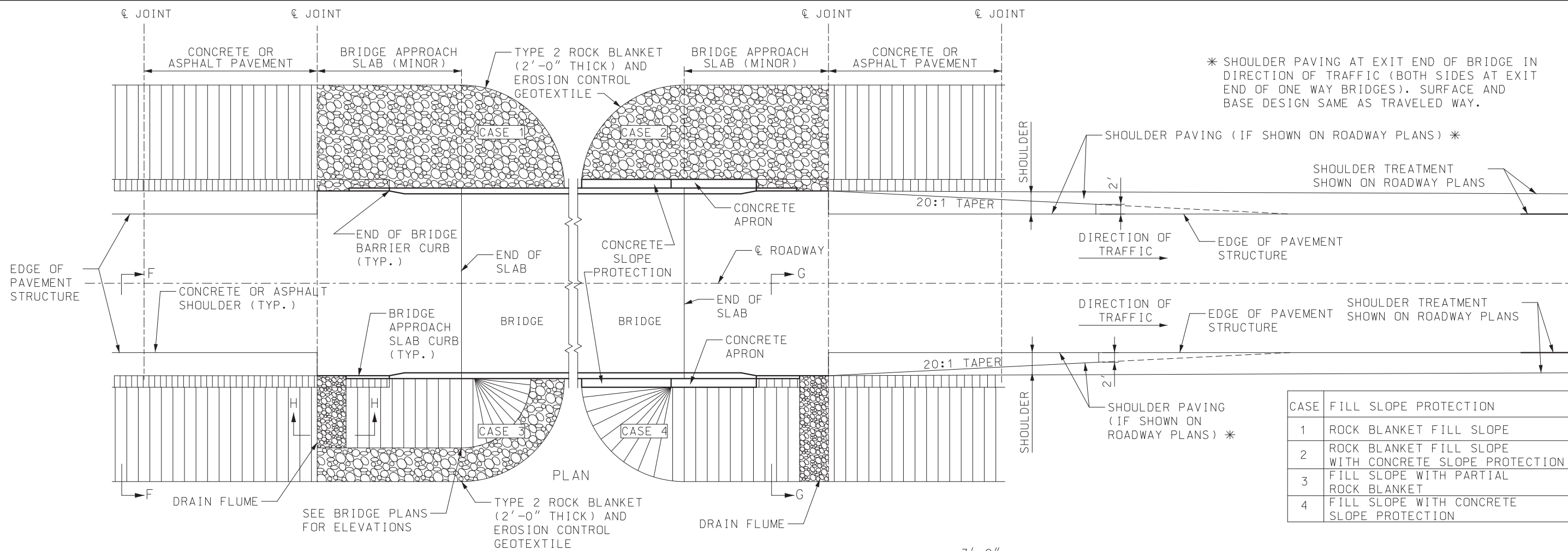
(MAJOR ROUTE)

DATE EFFECTIVE: 10/1/2023
DATE PREPARED: 7/6/2023

609.40U

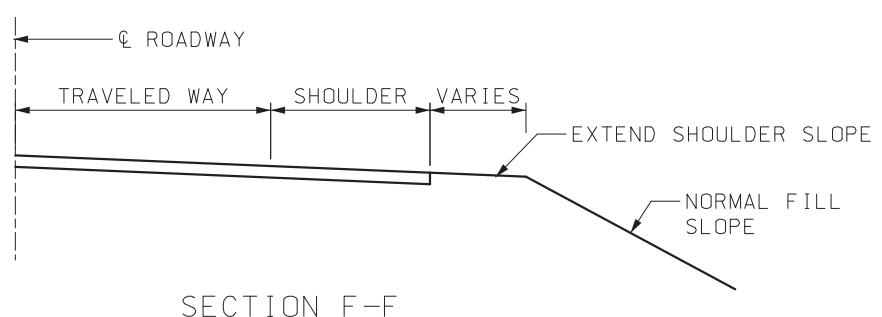
SHEET NO.
2 OF 3

IF A SEAL IS PRESENT ON THIS SHEET IT HAS BEEN ELECTRONICALLY SEALED AND DATED.

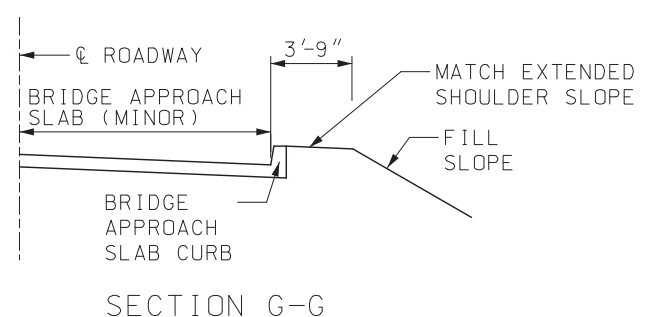


* SHOULDER PAVING AT EXIT END OF BRIDGE IN DIRECTION OF TRAFFIC (BOTH SIDES AT EXIT END OF ONE WAY BRIDGES). SURFACE AND BASE DESIGN SAME AS TRAVELED WAY.

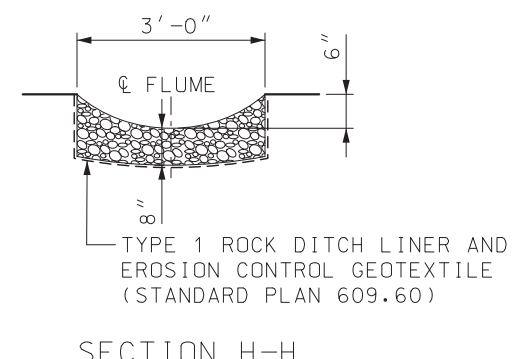
CASE	FILL SLOPE PROTECTION
1	ROCK BLANKET FILL SLOPE
2	ROCK BLANKET FILL SLOPE WITH CONCRETE SLOPE PROTECTION
3	FILL SLOPE WITH PARTIAL ROCK BLANKET
4	FILL SLOPE WITH CONCRETE SLOPE PROTECTION



SECTION F-F



SECTION G-G



SECTION H-H

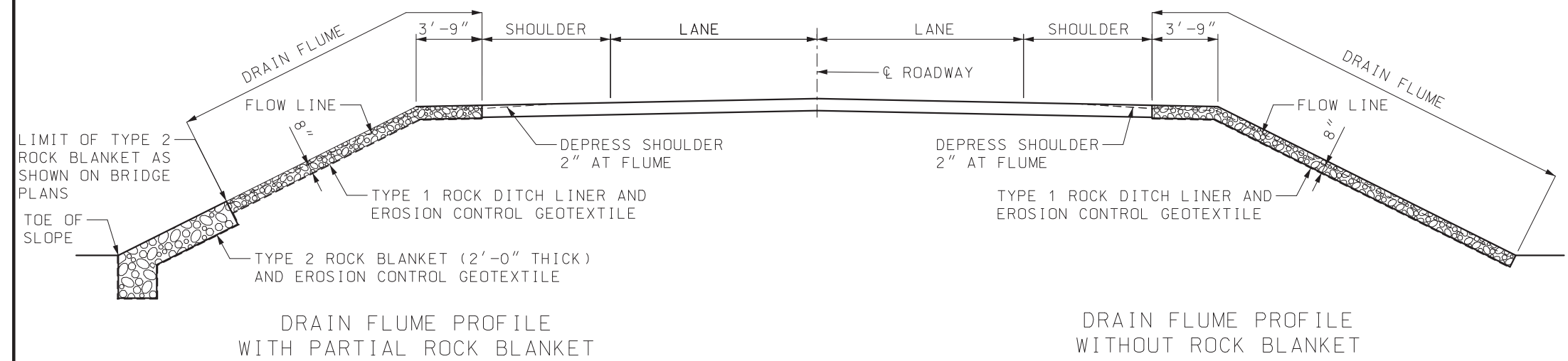
GENERAL NOTES:

SEE STANDARD PLANS 606.00, 606.22, 606.23, 606.30, 606.50, 606.60, 606.70 AND 606.80 FOR DETAILS OF GUARDRAILS AND BRIDGE ANCHOR SECTIONS.

FOR DETAILS OF BRIDGE APPROACH SLAB (MINOR ROAD), SEE BRIDGE PLANS.

CONSTRUCT DRAIN FLUMES AND/OR FILL SLOPE PROTECTION WHEN SHOWN ON ROADWAY PLANS.

PAYMENT FOR DRAIN FLUMES, COMPLETE IN PLACE, INCLUDING EXCAVATION, WILL BE PAID FOR AS TYPE 1 ROCK DITCH LINER. GEOTEXTILE WILL BE PAID SEPARATELY.



DRAIN FLUME PROFILE WITH PARTIAL ROCK BLANKET

DRAIN FLUME PROFILE WITHOUT ROCK BLANKET

MISSOURI HIGHWAYS AND TRANSPORTATION COMMISSION

105 WEST CAPITOL
JEFFERSON CITY, MO 65102
1-888-ASK-MODOT (1-888-275-6636)

DRAIN FLUME, SHOULDER PAVING AND FILL SLOPE AT BRIDGE ENDS

(MINOR AND LOW VOLUME ROUTES)

THIS SHEET HAS BEEN SIGNED, SEALED AND DATED ELECTRONICALLY.

SHEET NO.
3 OF 3

DATE EFFECTIVE: 10/1/2023

DATE PREPARED: 7/6/2023

609.40U