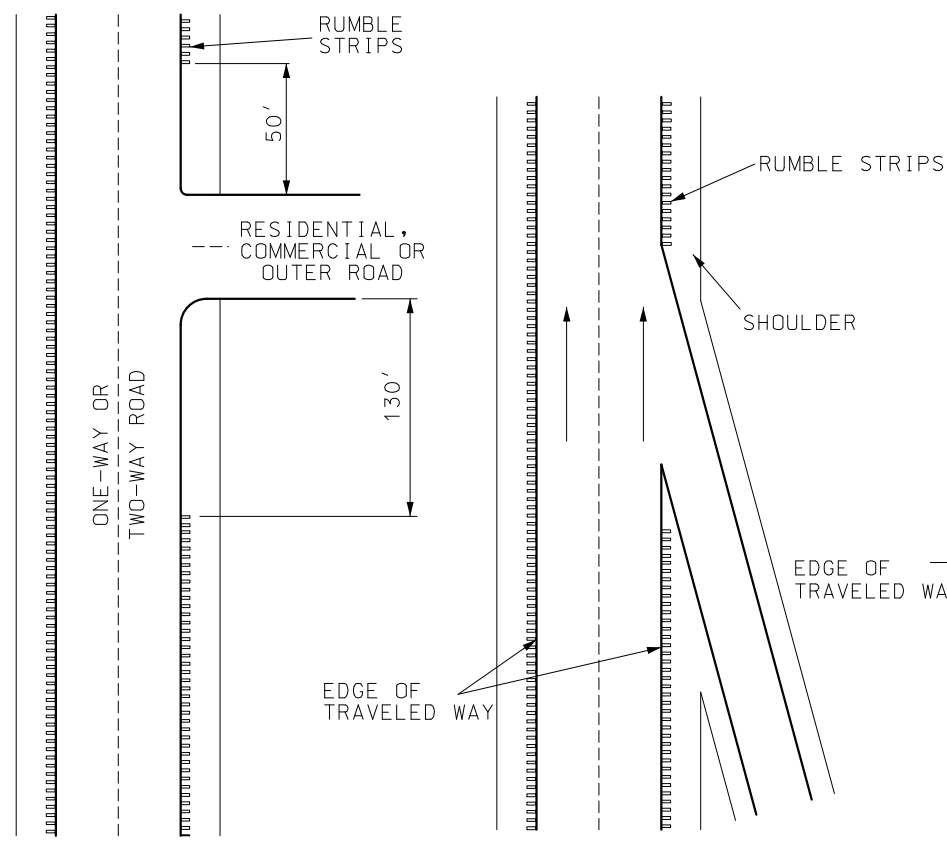
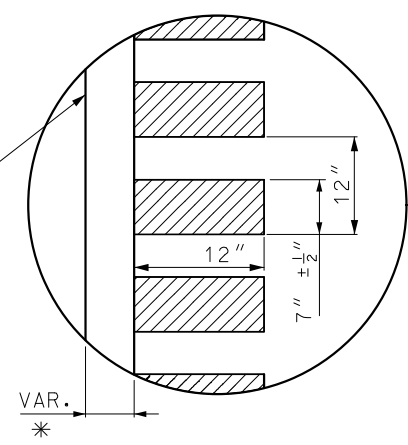


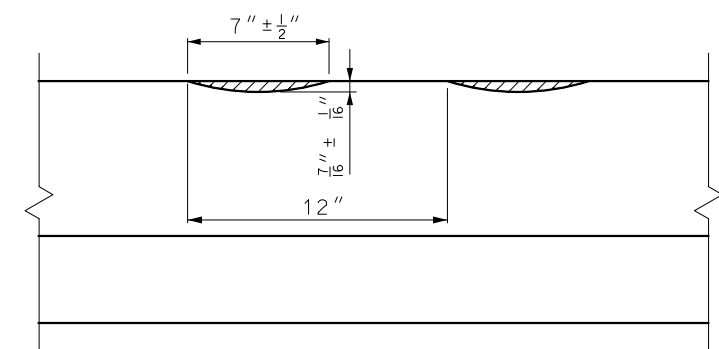
EXPRESSWAY DIVIDED



INTERSECTIONS
ACCELERATION LANE SHOWN
RUMBLE STRIP LAYOUTS



RUMBLE STRIP PLAN VIEW



RUMBLE STRIP CROSS SECTION VIEW

14' PAVEMENT STRUCTURES, ALL SHOULDER TYPES	
13' PAVEMENT STRUCTURES, ALL SHOULDER TYPES	
PAVEMENT STRUCTURES ≤ 12' WITH A2 SHOULDER	
PAVEMENT STRUCTURES ≤ 12' WITH A3 SHOULDER	
PAVEMENT STRUCTURES ≤ 12' WITH EARTH OR AGGREGATE SHOULDERS	

* = LATERAL DEVIATION SHALL NOT EXCEED ONE INCH IN 100 FEET.

GENERAL NOTES:
 SEE STANDARD PLAN 620.00 FOR PAVEMENT MARKING.
 RUMBLE STRIPS SHALL NOT BE PLACED ON BRIDGES.
 ALL RUMBLE STRIPS SHALL BE MILLED.
 RUMBLE STRIPS SHALL NOT BE MILLED ONTO TRANSVERSE JOINTS.
 FOR CONCRETE PAVEMENT WITH 15' JOINT SPACING, AT LEAST TWELVE RUMBLE STRIPS SHALL BE MILLED PER PANEL.
 RUMBLE STRIPS SHALL BE OMITTED IF SHOULDERS ARE LESS THAN 2' WIDE.

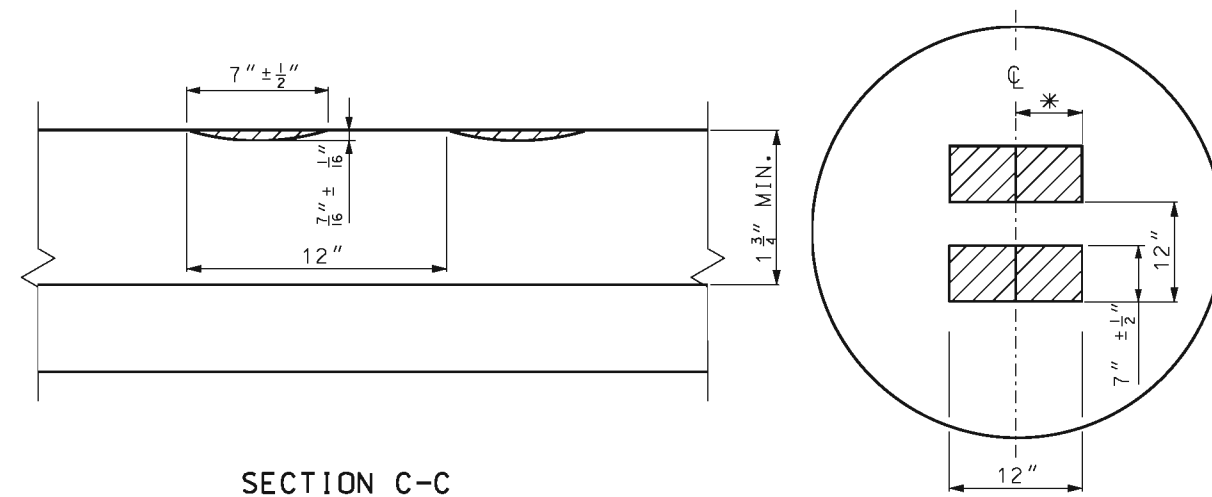
MoDOT MISSOURI HIGHWAYS AND TRANSPORTATION COMMISSION
 105 WEST CAPITOL
 JEFFERSON CITY, MO 65102
 1-888-ASK-MODOT (1-888-275-6636)

STATE OF MISSOURI
 TRAVIS D. KOESTNER
 NUMBER PE-30042
 PROFESSIONAL ENGINEER
 THIS SHEET HAS BEEN SIGNED, SEALED AND DATED ELECTRONICALLY.

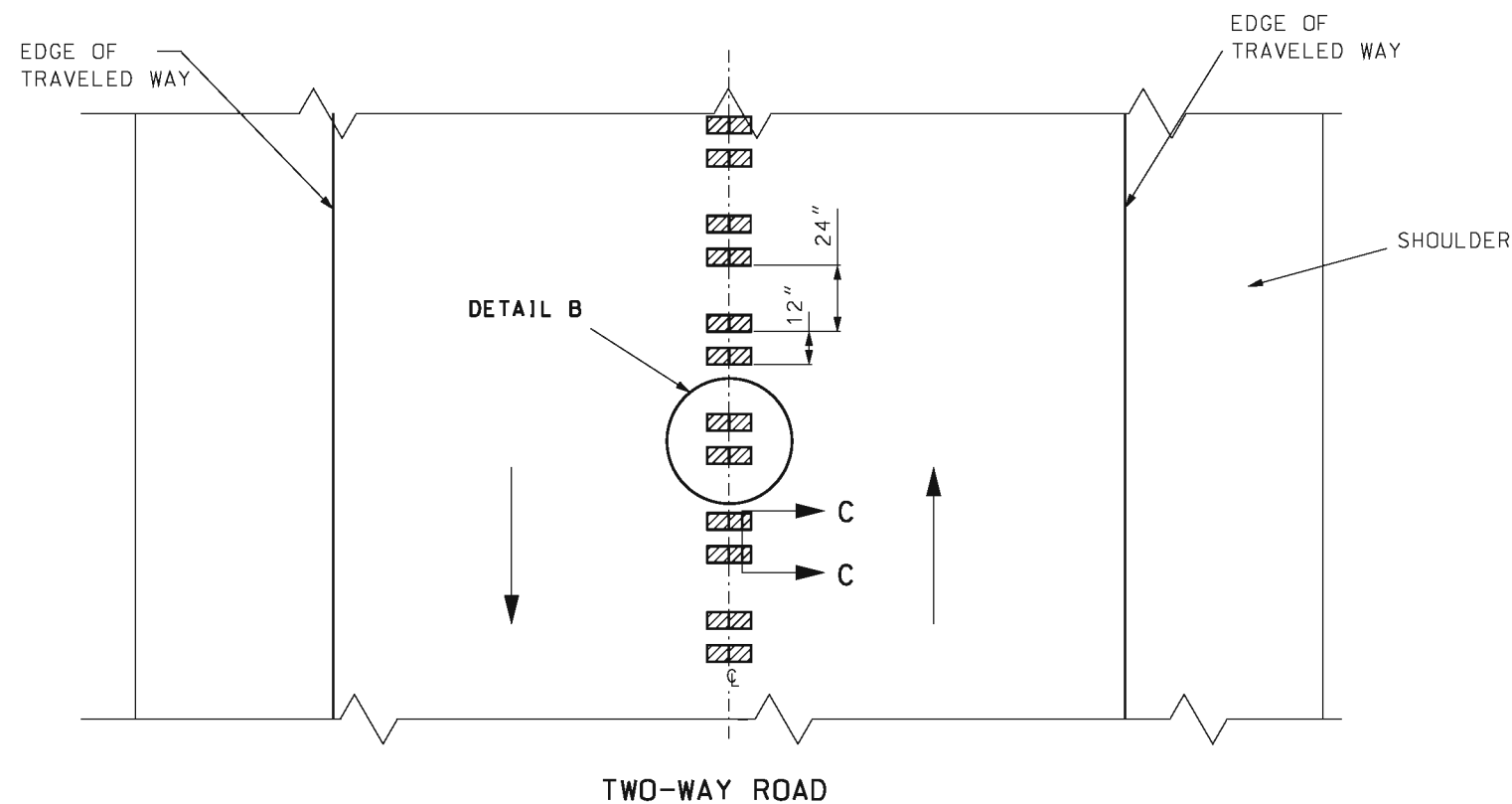
RUMBLE STRIPS
 SHOULDER

DATE EFFECTIVE: 07/01/2022	626.00H	SHEET NO. 1 OF 2
DATE PREPARED: 3/9/2022		

IF A SEAL IS PRESENT ON THIS SHEET IT HAS BEEN ELECTRONICALLY SEALED AND DATED.




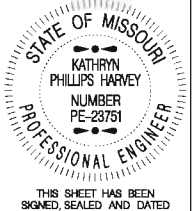
* = LATERAL DEVIATION SHALL NOT EXCEED ONE INCH IN 100 FEET.



GENERAL NOTES:

SEE STANDARD PLAN 620.00 FOR PAVEMENT MARKING.
 RUMBLE STRIPS SHALL NOT BE PLACED ON BRIDGES.
 ALL RUMBLE STRIPS SHALL BE MILLED.
 CENTERLINE RUMBLE STRIPS SHALL BE CONTINUOUS THROUGH CONNECTIONS OF SIDEROADS WITH NO LEFT TURN LANES.

DISCONTINUE CENTERLINE RUMBLE STRIPS THROUGH THE LIMITS OF ALL LEFT TURN LANES, INCLUDING ANY LANE TAPER SECTIONS.

 MISSOURI HIGHWAYS AND TRANSPORTATION COMMISSION 105 WEST CAPITOL JEFFERSON CITY, MO 65102 1-888-ASK-MODOT (1-888-275-6636)	
	RUMBLE STRIPS CENTERLINE
DATE EFFECTIVE: 04/01/2009 DATE PREPARED: 2/20/2009	626.00H
SHEET NO. 2 OF 2	

IF A SEAL IS PRESENT ON THIS SHEET IT HAS BEEN ELECTRONICALLY SEALED AND DATED.