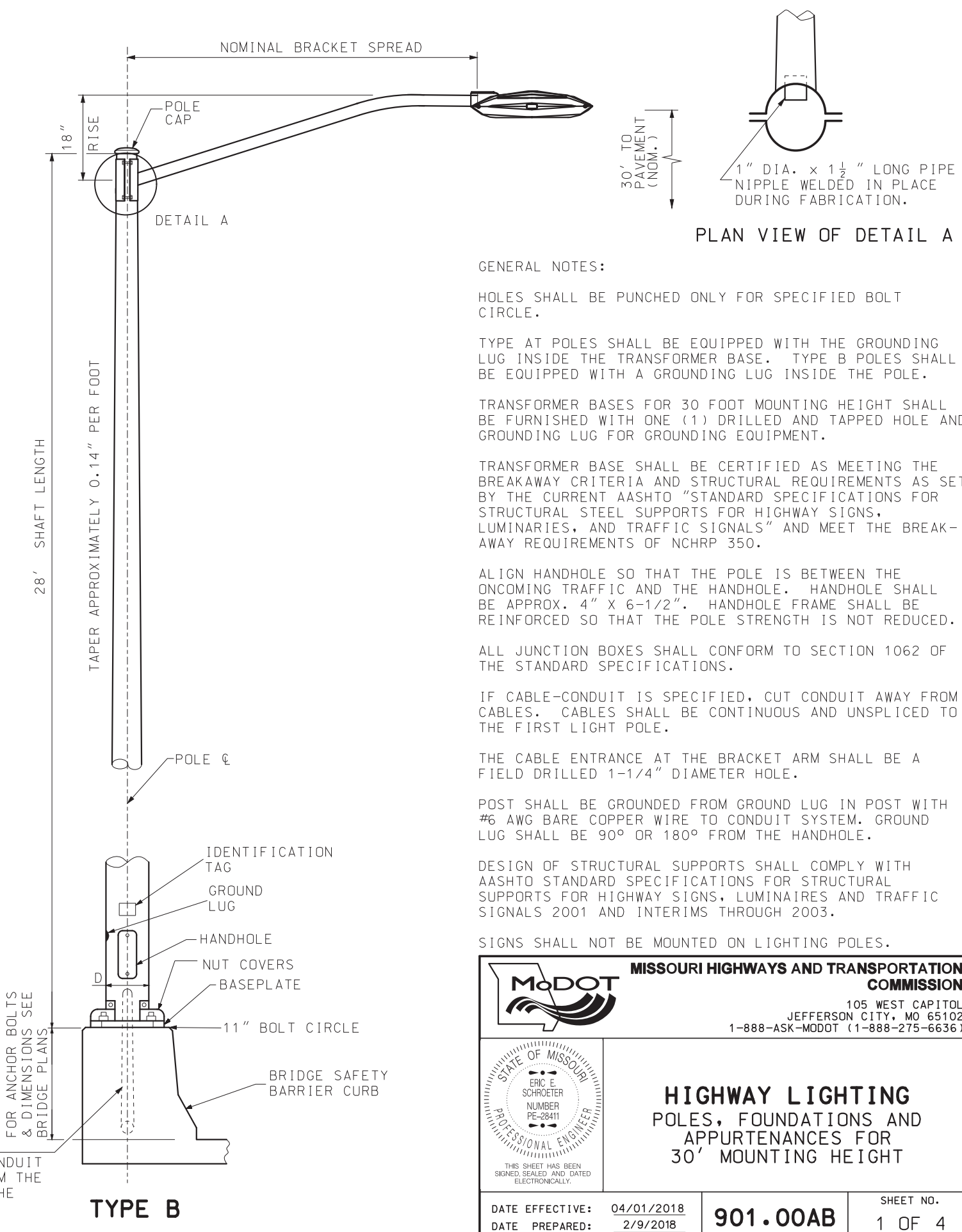


WIRES SHALL BE SPLICED AT FUSED CONNECTOR IN POLE BASE. IF CABLE-CONDUIT IS SPECIFIED, CUT CONDUIT AWAY FROM THE CABLES WHERE CABLE-CONDUIT ENTERS THE RIGID CONDUIT SYSTEM. (SEE DRAWING 901.02)



**MoDOT** MISSOURI HIGHWAYS AND TRANSPORTATION COMMISSION

105 WEST CAPITOL  
JEFFERSON CITY, MO 65102  
1-888-ASK-MODOT (1-888-275-6636)

STATE OF MISSOURI  
ERIC E. SCHROETER  
NUMBER PE-28411  
PROFESSIONAL ENGINEER

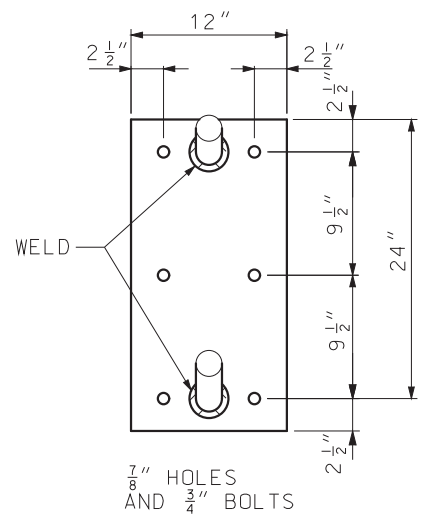
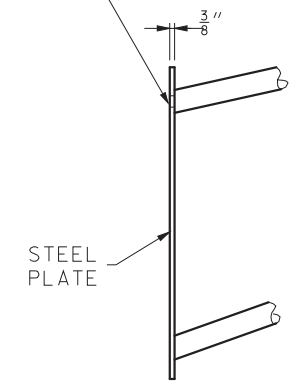
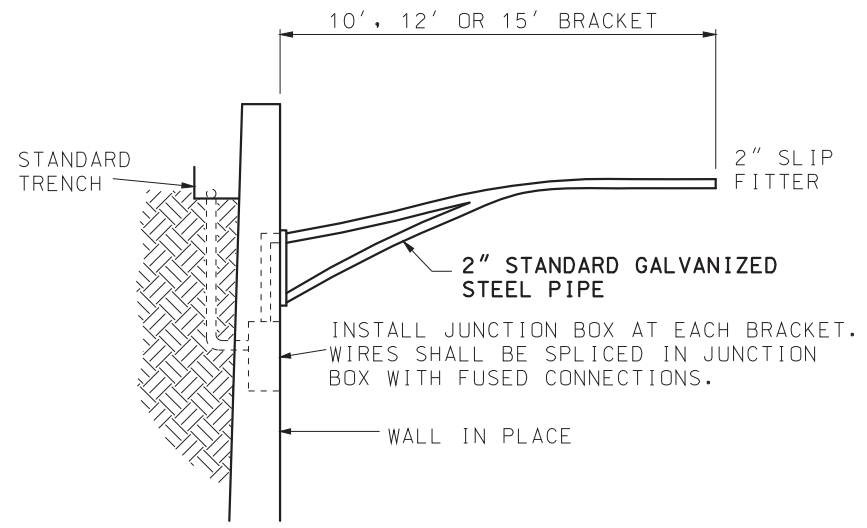
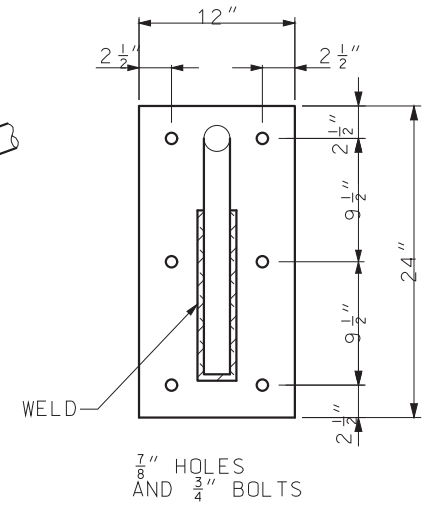
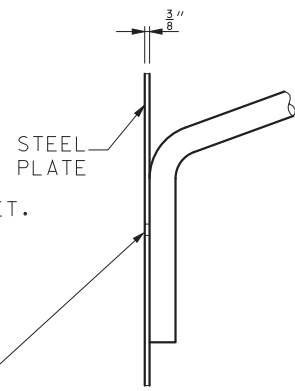
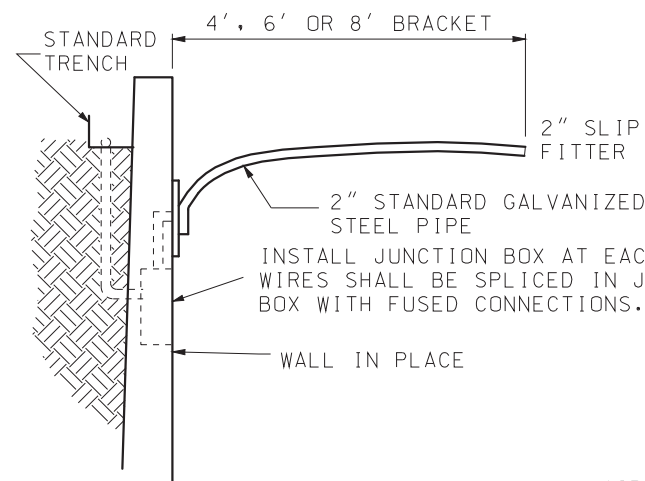
THIS SHEET HAS BEEN SIGNED SEALED AND DATED ELECTRONICALLY.

**HIGHWAY LIGHTING POLES, FOUNDATIONS AND APPURTENANCES FOR 30' MOUNTING HEIGHT**

DATE EFFECTIVE: 04/01/2018	901.00AB	SHEET NO. 1 OF 4
DATE PREPARED: 2/9/2018		

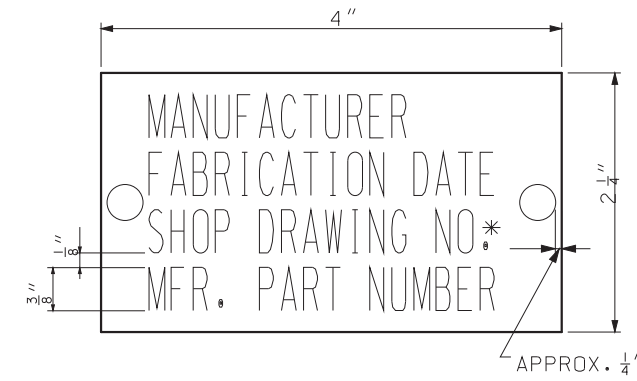
IF A SEAL IS PRESENT ON THIS SHEET IT HAS BEEN ELECTRONICALLY SEALED AND DATED.

IF A SEAL IS PRESENT ON THIS SHEET IT HAS BEEN ELECTRONICALLY SEALED AND DATED.



WALL BRACKETS

FACE PLATE DETAILS



ID TAG NOTE:  
TAG SHALL BE ALUMINUM OR STAINLESS STEEL AND ATTACHED TO POLE USING TWO RIVETS OR STAINLESS STEEL DRIVE SCREWS.  
\* INCLUDING REVISION

IDENTIFICATION TAG

GENERAL NOTES:

- HOLES SHALL BE PUNCHED ONLY FOR SPECIFIED BOLT CIRCLE.
- TYPE AT POLES SHALL BE EQUIPPED WITH THE GROUNDING LUG INSIDE THE TRANSFORMER BASE. TYPE B POLES SHALL BE EQUIPPED WITH A GROUNDING LUG INSIDE THE POLE.
- TRANSFORMER BASES FOR 30 FOOT MOUNTING HEIGHT SHALL BE FURNISHED WITH ONE (1) DRILLED AND TAPPED HOLE AND GROUNDING LUG FOR GROUNDING EQUIPMENT.
- TRANSFORMER BASE SHALL BE CERTIFIED AS MEETING THE BREAKAWAY CRITERIA AND STRUCTURAL REQUIREMENTS AS SET BY THE CURRENT AASHTO "STANDARD SPECIFICATIONS FOR STRUCTURAL STEEL SUPPORTS FOR HIGHWAY SIGNS, LUMINAIRES, AND TRAFFIC SIGNALS" AND MEET THE BREAK-AWAY REQUIREMENTS OF NCHRP 350.
- ALIGN HANDHOLE SO THAT THE POLE IS BETWEEN THE ONCOMING TRAFFIC AND THE HANDHOLE. HANDHOLE SHALL BE APPROX. 4" X 6-1/2". HANDHOLE FRAME SHALL BE REINFORCED SO THAT THE POLE STRENGTH IS NOT REDUCED.
- ALL JUNCTION BOXES SHALL CONFORM TO SECTION 1062 OF THE STANDARD SPECIFICATIONS.
- IF CABLE-CONDUIT IS SPECIFIED, CUT CONDUIT AWAY FROM CABLES. CABLES SHALL BE CONTINUOUS AND UNSPLICED TO THE FIRST LIGHT POLE.
- THE CABLE ENTRANCE AT THE BRACKET ARM SHALL BE A FIELD DRILLED 1-1/4" DIA. HOLE.
- POST SHALL BE GROUNDED FROM GROUND LUG IN POST WITH #6 AWG BARE COPPER WIRE TO CONDUIT SYSTEM. GROUND LUG SHALL BE 90° OR 180° FROM THE HANDHOLE.
- ID TAG HOLES SHALL BE DRILLED INTO POLE PRIOR TO GALVANIZING.

LED LUMINAIRES				
FUSE RATING	DESIGNATION	MAX. WATT	DISTRIBUTION TYPE	BACKLIGHT-UPLIGHT-GLARE (BUG) RATING
3 A	LED-A	103	III	B2-U0-G2
LUMINAIRE PER CHART UNLESS OTHERWISE SPECIFIED ON PLANS.				

TYPE AT POLE				
BRACKET SPREAD	4'-10'	12'	15'	
MAX. LUMINAIRE WEIGHT	75 LB	71 LB	66 LB	
MAX. PROJECTED AREA	3.3 SQ. FT.			
SINGLE AND TRUSSED BRACKET ARMS				
LOCATION	LENGTH POLE	BRACKET SPREAD	TRANS. BASE BOLT CIRC.	D
SHOULDER	28'	4', 6', 8', 10', 12', 15'	15"	8"

TYPE B POLE				
BRACKET SPREAD	4'	6'	8'	
MAX. LUMINAIRE WEIGHT	75 LB	75 LB	54 LB	
MAX. PROJECTED AREA	3.3 SQ. FT.			
SINGLE BRACKET ARM				
LOCATION	LENGTH POLE	BRACKET SPREAD	D	ANCHOR BOLT DIA.
BRIDGE SAFETY BARRIER CURB	28'	4', 6', 8'	8"	1"

**MISSOURI HIGHWAYS AND TRANSPORTATION COMMISSION**

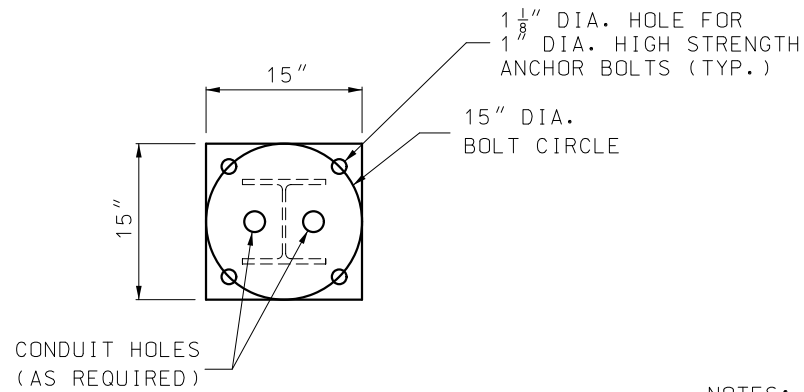
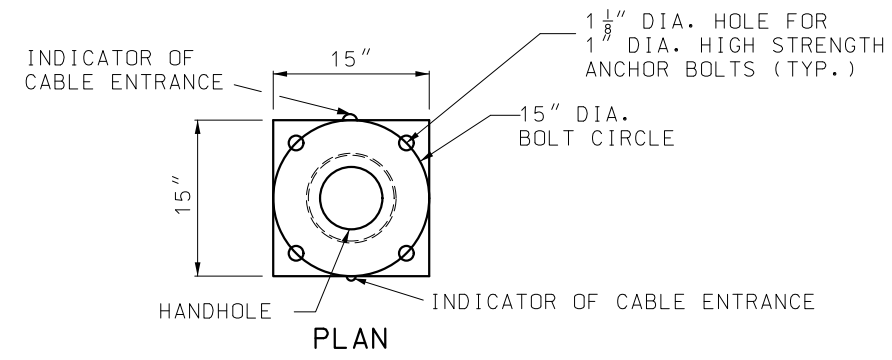
105 WEST CAPITOL  
JEFFERSON CITY, MO 65102  
1-888-ASK-MODOT (1-888-275-6636)

**HIGHWAY LIGHTING POLES, FOUNDATIONS AND APPURTENANCES FOR 30' MOUNTING HEIGHT**

DATE EFFECTIVE: 04/01/2018  
DATE PREPARED: 2/9/2018

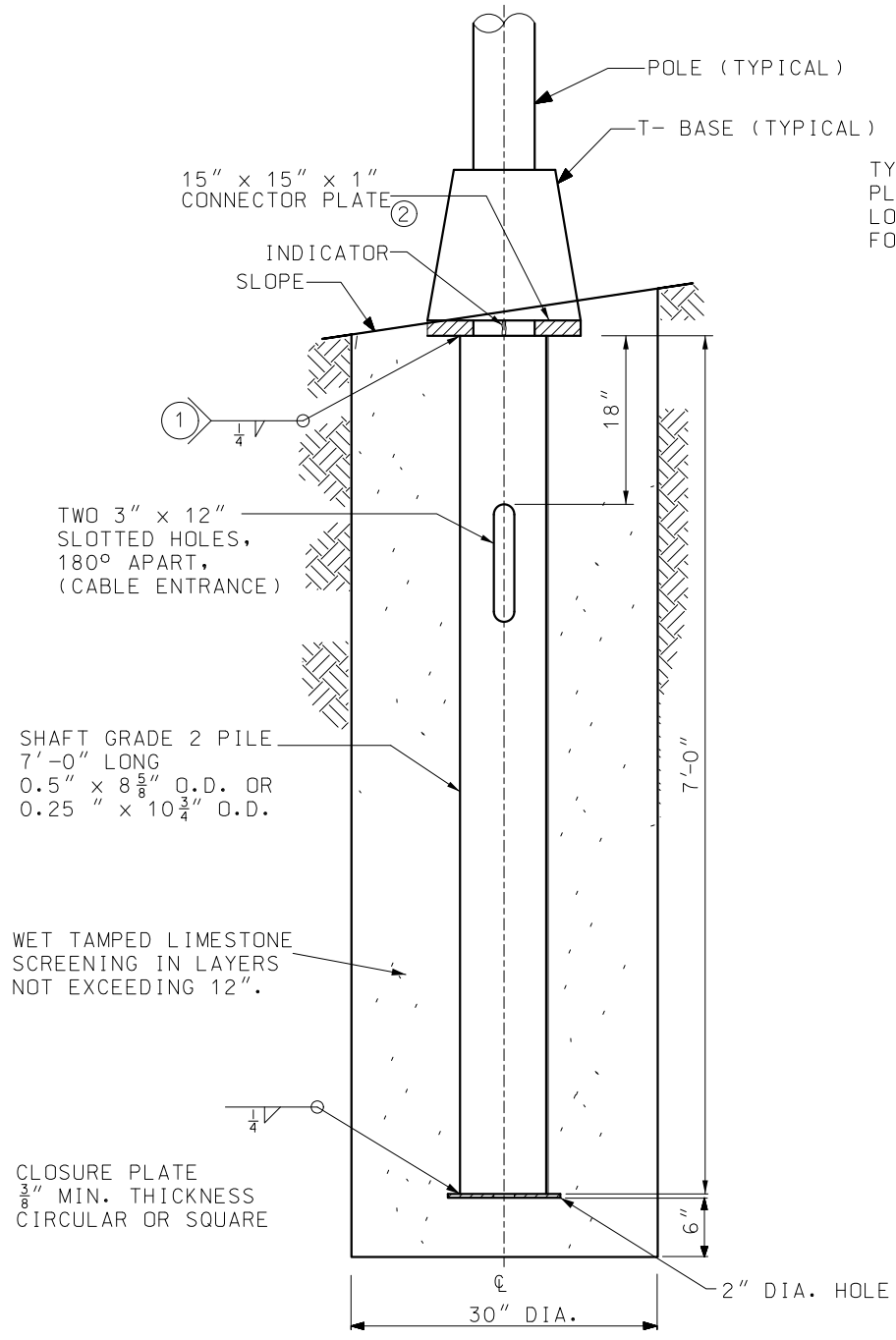
**901.00AB**

SHEET NO.  
2 OF 4

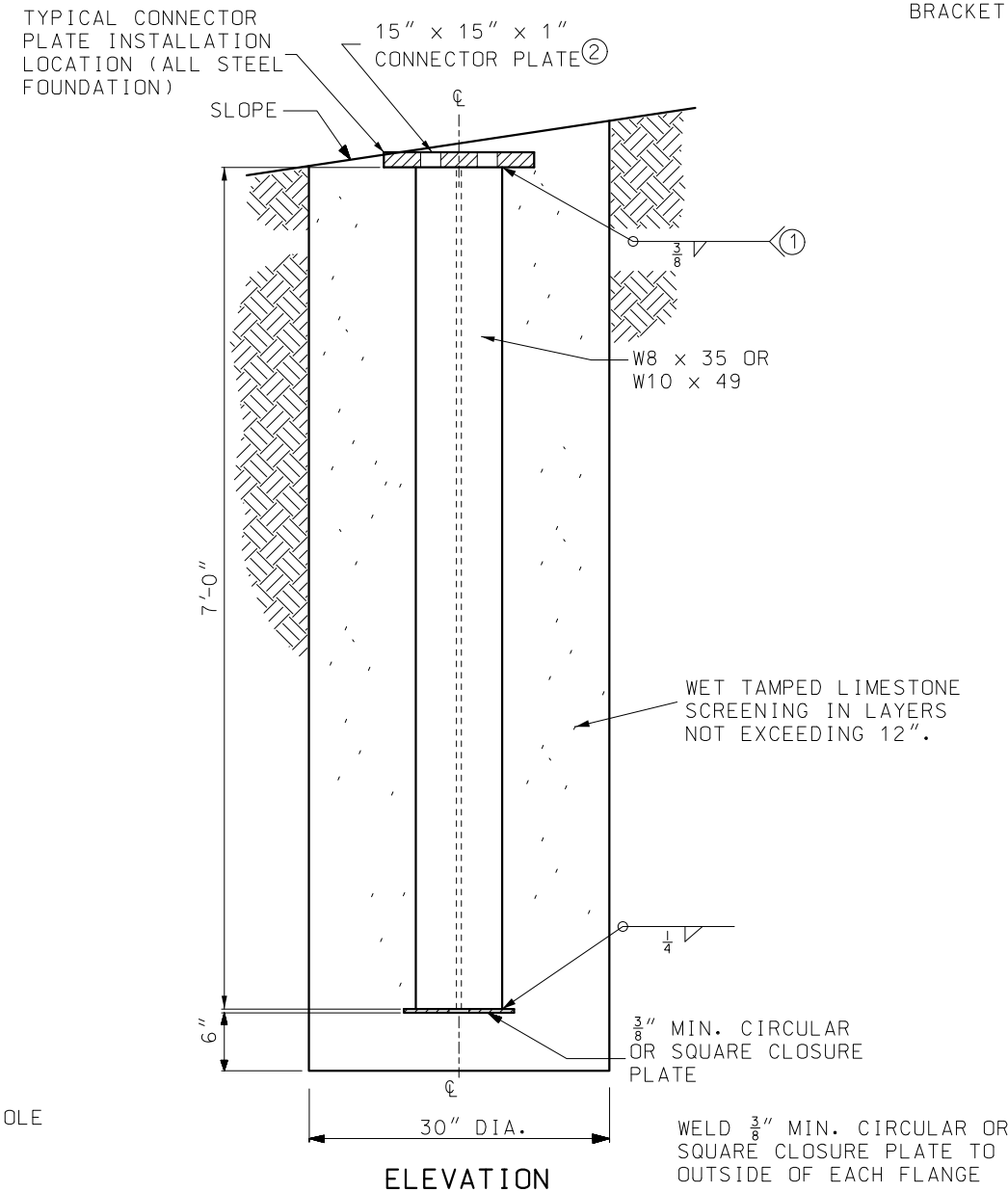


NOTES:

- ① GRIND WELD AS NECESSARY TO CLEAR BOLT HEAD.
- ② FOUNDATIONS SHALL BE INSTALLED SO THAT CONNECTOR PLATES ARE LEVEL PERPENDICULAR TO THE BRACKET ARM AND SLOPED FOR POLE RAKING PARALLEL TO THE BRACKET ARM.



**DETAILS OF CIRCULAR STEEL PILE FOUNDATION**



**DETAILS OF STEEL "H" PILE FOUNDATION**

GENERAL NOTES:

ALL CLASSIFICATIONS ARE ASTM UNLESS OTHERWISE NOTED. SEE STANDARD SPECIFICATIONS FOR CLASSIFICATIONS NOT SHOWN.

ALL CONNECTOR PLATE AND CLOSURE PLATE THICKNESSES SHOWN ARE MINIMUM DIMENSIONS.

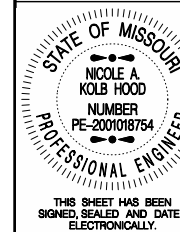
ALL ANCHOR BOLTS SHALL BE FULLY GALVANIZED 1" DIA. HIGH STRENGTH ANCHOR BOLTS.

ALL STEEL COMPONENTS SHALL BE HOT DIP GALVANIZED.



**MISSOURI HIGHWAYS AND TRANSPORTATION COMMISSION**

105 WEST CAPITOL  
JEFFERSON CITY, MO 65102  
1-888-ASK-MODOT (1-888-275-6636)



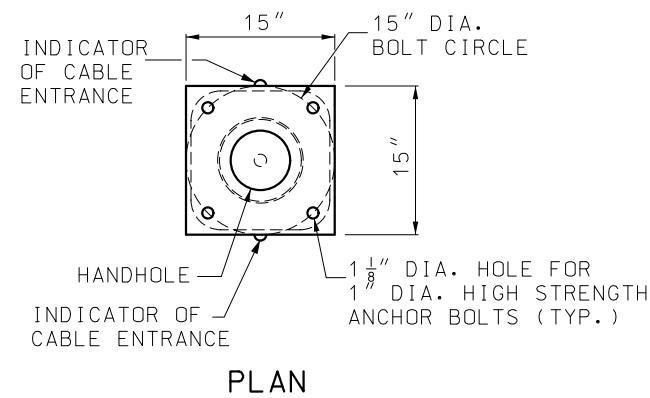
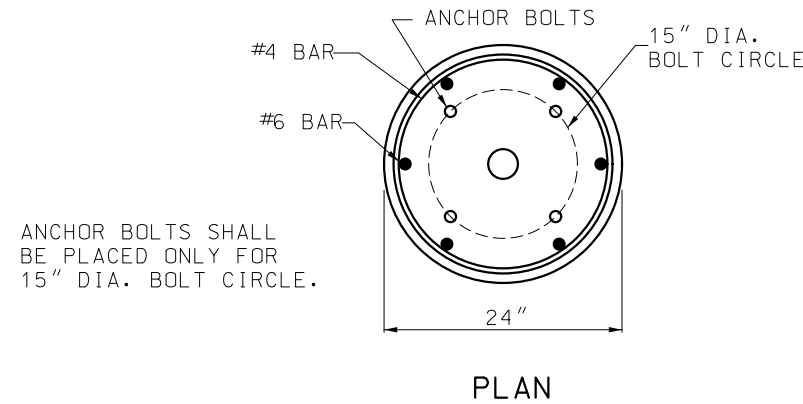
**HIGHWAY LIGHTING POLES, FOUNDATIONS AND APPURTENANCES FOR 30' MOUNTING HEIGHT**

DATE EFFECTIVE: 01/01/2021  
DATE PREPARED: 10/14/2020

**901.00AB**

SHEET NO.  
3 OF 4

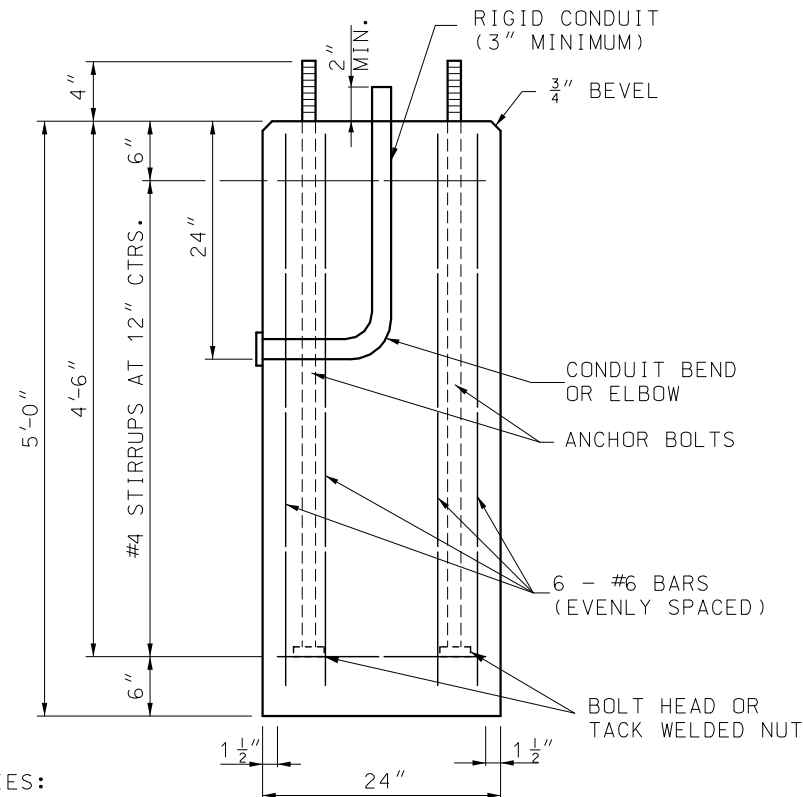
IF A SEAL IS PRESENT ON THIS SHEET IT HAS BEEN ELECTRONICALLY SEALED AND DATED.



DRIVE HOLES WILL BE PERMITTED PROVIDED THAT THEY DO NOT CONFLICT WITH OR COMPROMISE THE STRUCTURAL INTEGRITY OF THE PLATE. THE WELD BETWEEN THE PLATE AND SHAFT, OR THE BOLT HOLES.

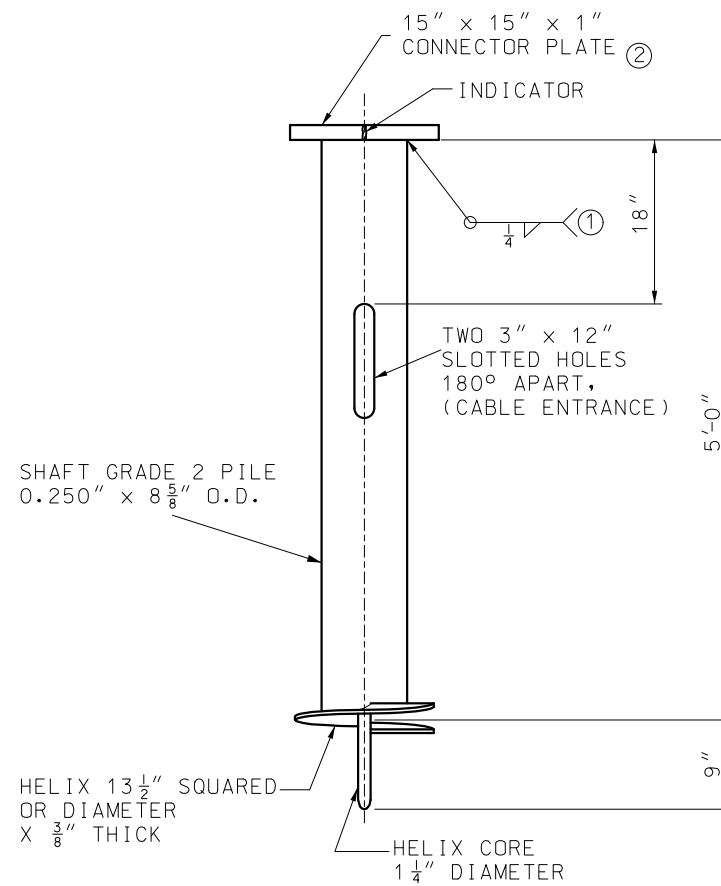
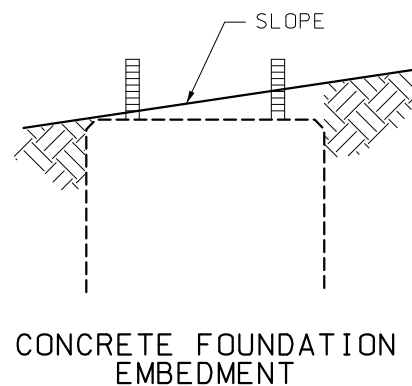
NOTES:

- ① GRIND WELD AS NECESSARY TO CLEAR BOLT HEAD.
- ② FOUNDATIONS SHALL BE INSTALLED SO THAT CONNECTOR PLATES ARE LEVEL PERPENDICULAR TO THE BRACKET ARM AND SLOPED FOR POLE RAKING PARALLEL TO THE BRACKET ARM.
- ③ AT THE OPTION OF THE CONTRACTOR THE CONCRETE FOUNDATION MAY BE PRECAST. IF PRECAST, THEY SHALL BE SET IN DRILLED HOLES 3 FEET IN DIAMETER AND 6 INCHES DEEPER THAN THE BOTTOM OF THE CONCRETE FOUNDATION. THE BOTTOM 6 INCHES OF THE HOLE AND THE REMAINING SPACE AROUND THE FOUNDATION SHALL BE BACKFILLED WITH WET TAMPED LIMESTONE SCREENINGS IN LAYERS NOT EXCEEDING 12 INCHES.

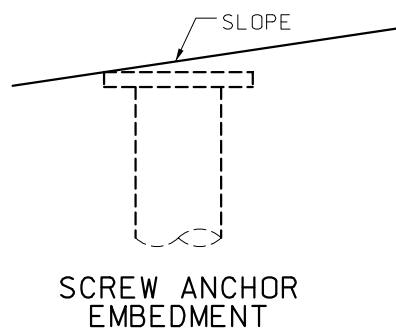


QUANTITIES:  
CONC. = 0.58 CU. YD.  
REIN. = 64 LBS.

ELEVATION  
DETAILS OF CONCRETE  
FOUNDATION ③



ELEVATION  
DETAILS OF SCREW  
ANCHOR FOUNDATION



GENERAL NOTES:

ALL CLASSIFICATIONS ARE ASTM UNLESS OTHERWISE NOTED. SEE STANDARD SPECIFICATIONS FOR CLASSIFICATIONS NOT SHOWN.

ALL CONNECTOR PLATE AND CLOSURE PLATE THICKNESSES SHOWN ARE MINIMUM DIMENSIONS.

ALL ANCHOR BOLTS SHALL BE FULLY GALVANIZED 1" DIA. HIGH STRENGTH ANCHOR BOLTS.

ALL STEEL COMPONENTS SHALL BE HOT DIP GALVANIZED.

<p>MISSOURI HIGHWAYS AND TRANSPORTATION COMMISSION</p> <p>105 WEST CAPITOL JEFFERSON CITY, MO 65102 1-888-ASK-MODOT (1-888-275-6636)</p>	
<p>STATE OF MISSOURI NICOLE A. KOLB HOOD NUMBER PE-2001018754 PROFESSIONAL ENGINEER</p> <p>THIS SHEET HAS BEEN SIGNED, SEALED AND DATED ELECTRONICALLY.</p>	<p><b>HIGHWAY LIGHTING POLES, FOUNDATIONS AND APPURTENANCES FOR 30' MOUNTING HEIGHT</b></p>
<p>DATE EFFECTIVE: 01/01/2021 DATE PREPARED: 10/14/2020</p>	<p><b>901.00AB</b></p>
<p>SHEET NO. 4 OF 4</p>	

IF A SEAL IS PRESENT ON THIS SHEET IT HAS BEEN ELECTRONICALLY SEALED AND DATED.