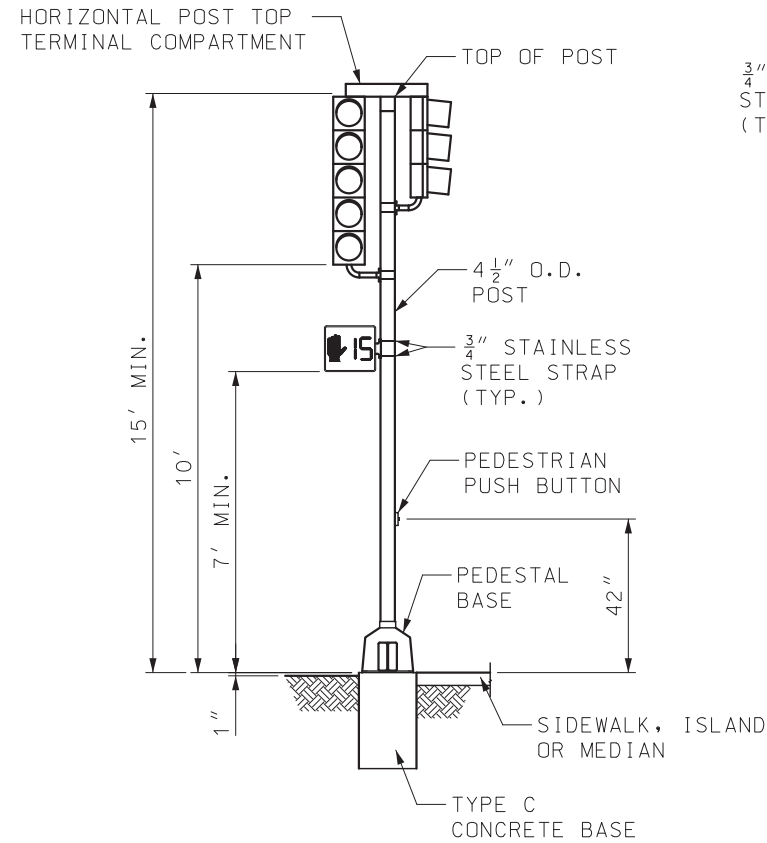
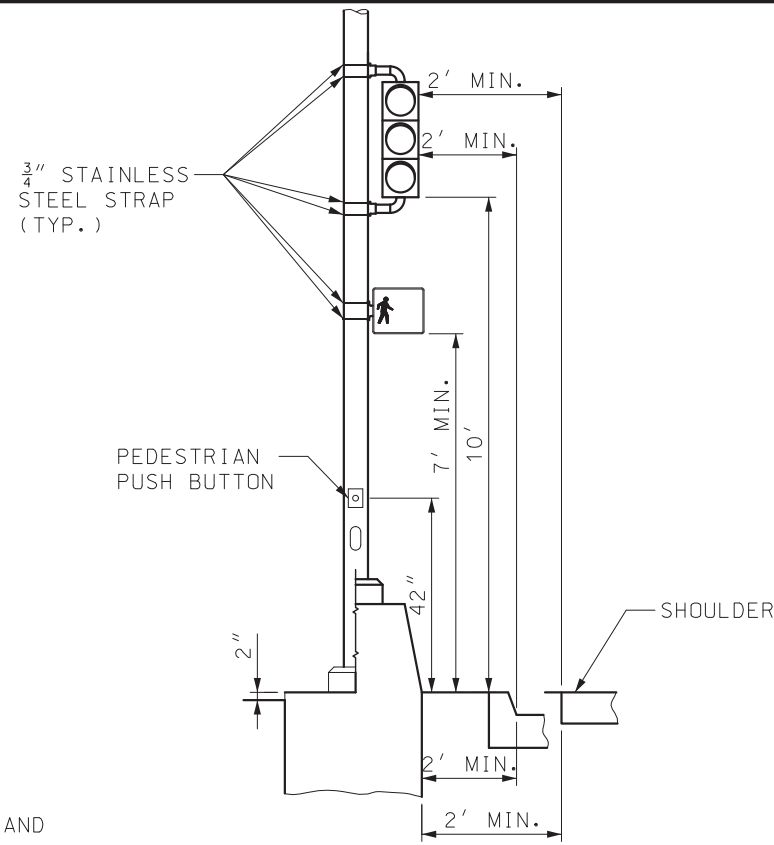


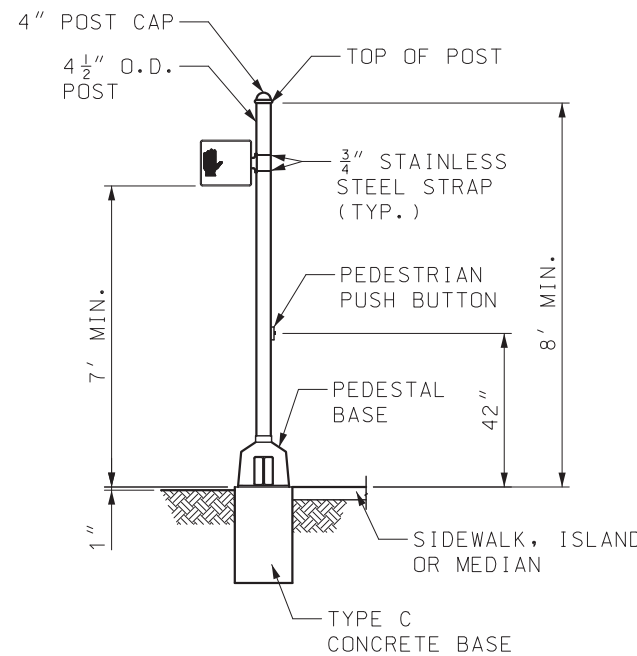
ONE FACE



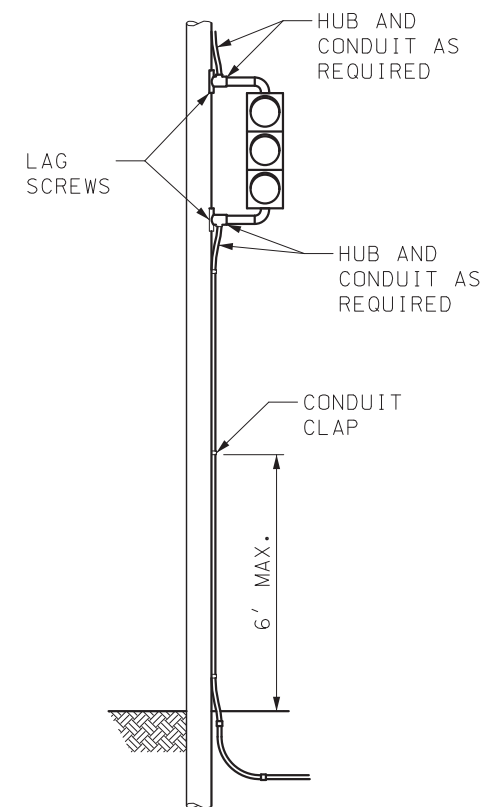
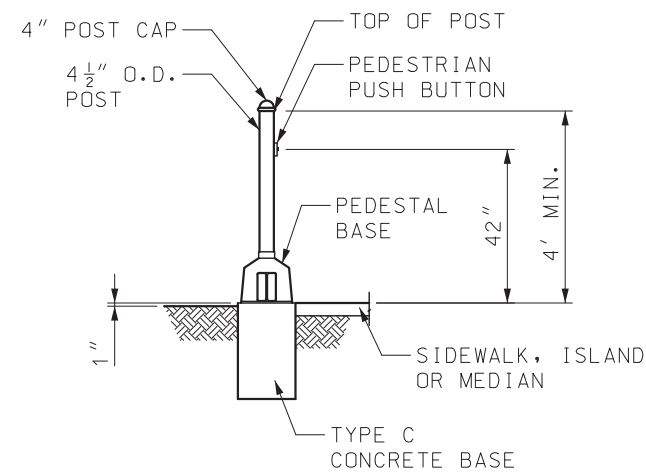
TWO FACE



METAL POST MOUNTING



PEDESTAL POST MOUNTINGS



WOOD POLE MOUNTING

GENERAL NOTES:

ALL POST WIRE OUTLETS SHALL BE DEBURRED AND EQUIPPED WITH BUSHINGS.

BACKPLATES NOT SHOWN IN MOUNTING DIAGRAMS FOR CLARITY.

POSTS SHALL BE GROUNDED WITH #6 AWG BARE COPPER WIRE FROM GROUNDING BUSHING ON CONDUIT TO GROUNDING LUG IN POST BASE IF STEEL CONDUIT IS USED. IF PVC CONDUIT IS USED, PROVIDE #6 AWG BARE COPPER WIRE FROM GROUNDING LUG IN POST TO POWER SUPPLY GROUND BUSS IN CONTROLLER CABINET.

LEADS FROM PEDESTRIAN SIGNAL LAMPS ARE CONNECTED TO THE SIGNAL HEAD TERMINAL COMPARTMENT.

TYPE C MOUNTED SIGNALS SHALL HAVE A DISCONNECT HANGER.



TYPE B MOUNTED SIGNALS SHALL HAVE A TERMINAL COMPARTMENT.

ONE FACE, TOP-MOUNTED (TYPE T) OR SIDE-MOUNTED (TYPE S) SIGNALS HAVE NO TERMINAL COMPARTMENT. TWO FACE, TOP-MOUNTED (TYPE T) OR SIDE-MOUNTED (TYPE S) SIGNALS SHALL HAVE A HORIZONTAL TERMINAL COMPARTMENT.

SIDE-MOUNTED OPTICALLY LIMITING HEADS SHALL HAVE A MINIMUM POST CLEARANCE OF 5 1/2".

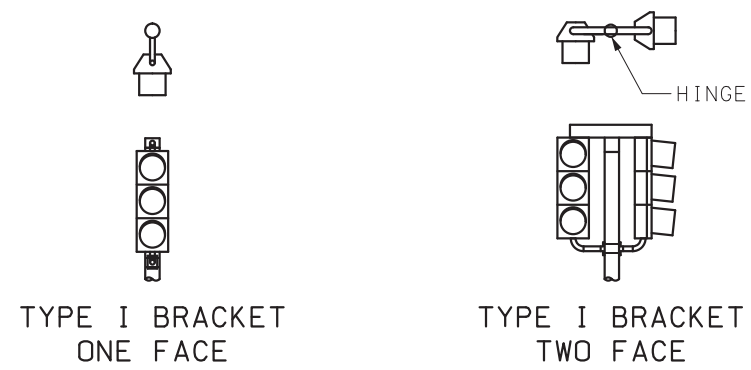
SIGNAL APPURTENANCES SHALL HAVE A HORIZONTAL CLEARANCE NO LESS THAN 2' FROM THE FACE OF A VERTICAL CURB OR FROM THE OUTSIDE EDGE OF A SHOULDER, EXCEPT SIGNALS LOCATED IN A MEDIAN ISLAND.

SEE STANDARD PLAN 902.30 FOR BASE DETAILS AND CONDUIT LOCATIONS.

 MISSOURI HIGHWAYS AND TRANSPORTATION COMMISSION 105 WEST CAPITOL JEFFERSON CITY, MO 65102 1-888-ASK-MODOT (1-888-275-6636)	
	TRAFFIC SIGNALS SIGNAL HEAD MOUNTING
DATE EFFECTIVE: 7/1/2023 DATE PREPARED: 4/4/2023	902.00Q
	SHEET NO. 1 OF 2

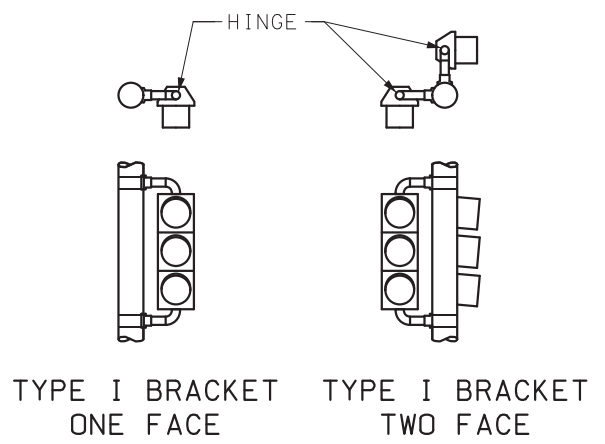
IF A SEAL IS PRESENT ON THIS SHEET IT HAS BEEN ELECTRONICALLY SEALED AND DATED.

IF A SEAL IS PRESENT ON THIS SHEET IT HAS BEEN ELECTRONICALLY SEALED AND DATED.



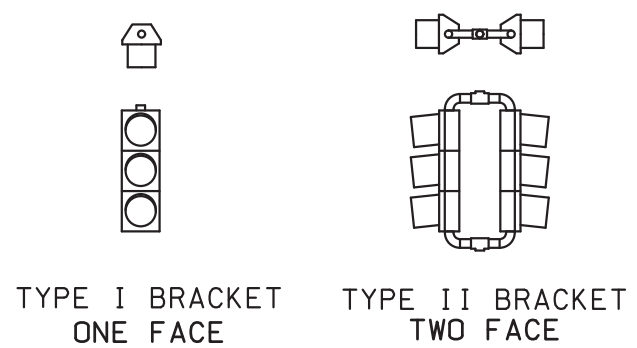
TYPE I BRACKET ONE FACE
TYPE I BRACKET TWO FACE

TOP-MOUNT (TYPE T)



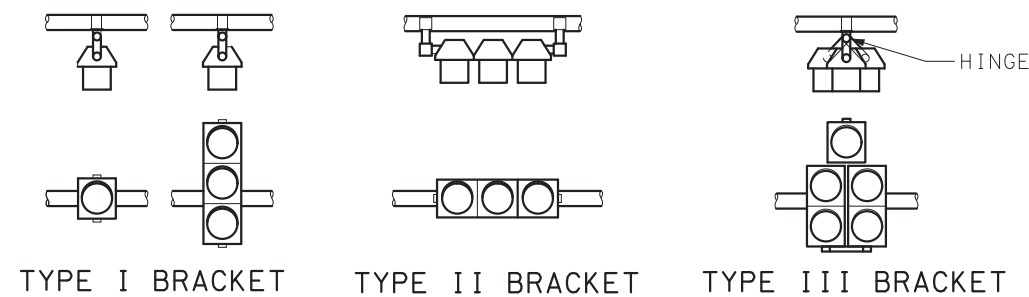
TYPE I BRACKET ONE FACE
TYPE I BRACKET TWO FACE

SIDE-MOUNT (TYPE S)



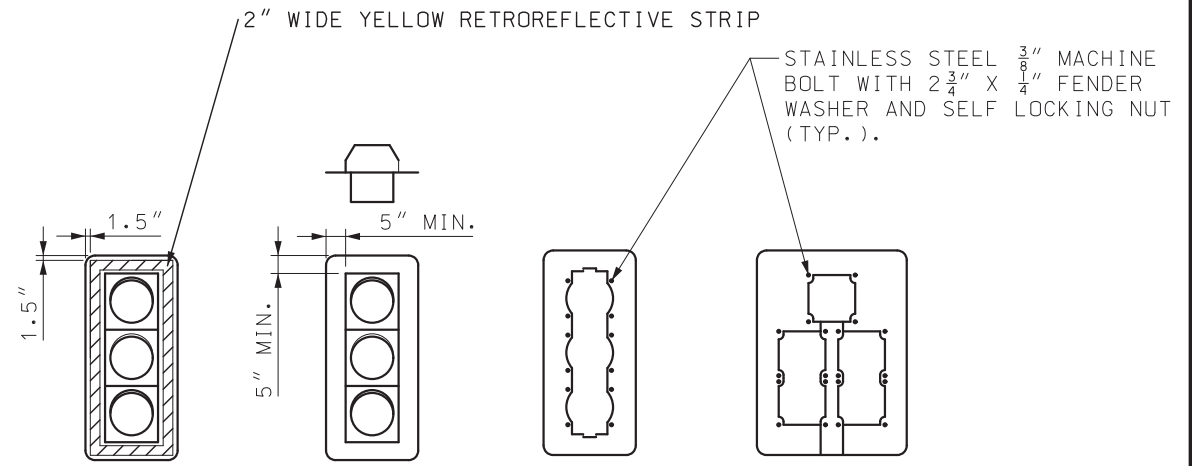
TYPE I BRACKET ONE FACE
TYPE II BRACKET TWO FACE

OVERHEAD SPANWIRE (TYPE C)



TYPE I BRACKET
TYPE II BRACKET
TYPE III BRACKET

MAST ARM (TYPE B)
(SEE DRAWING 902.40)



ALL SCREWS THROUGH BACKPLATE SHALL HAVE AT LEAST 3/4" TO EDGE OF BACKPLATE.

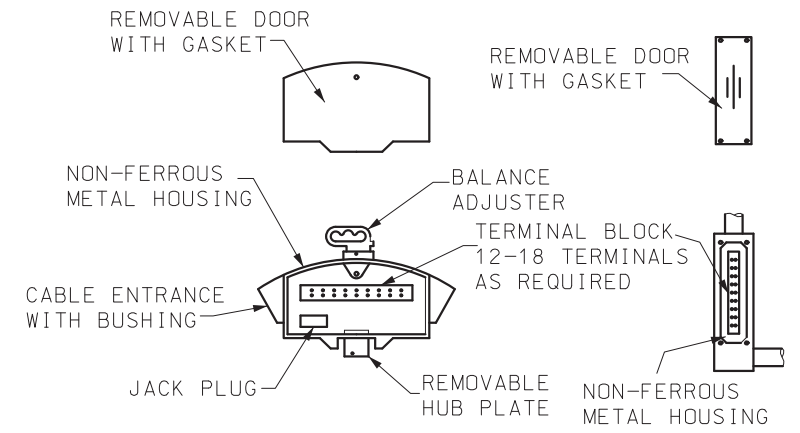
1 THRU 5 SECTION
5 SECTION

BACKPLATES

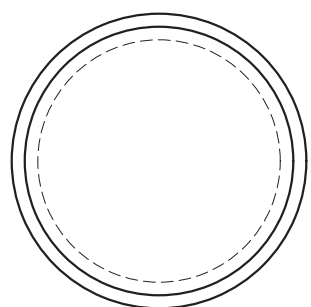


TUNNEL

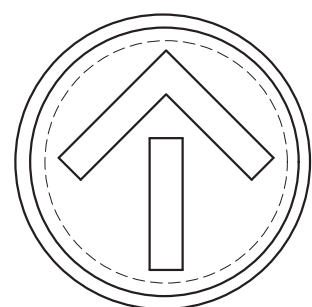
VISORS



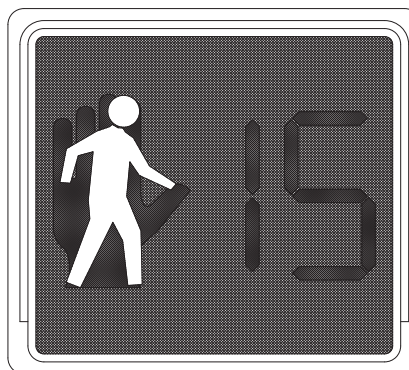
TERMINAL COMPARTMENT



CIRCULAR



ARROW



PEDESTRIAN

INDICATIONS

MoDOT MISSOURI HIGHWAYS AND TRANSPORTATION COMMISSION
105 WEST CAPITOL JEFFERSON CITY, MO 65102
1-888-ASK-MODOT (1-888-275-6636)

STATE OF MISSOURI
NICOLE A. KOLB HOOD
NUMBER PE-2001018754
PROFESSIONAL ENGINEER
THIS SHEET HAS BEEN SIGNED, SEALED AND DATED ELECTRONICALLY.

TRAFFIC SIGNALS
SIGNAL HEAD LOUVERS,
VISORS, BACKPLATES AND
TERMINAL COMPARTMENT

DATE EFFECTIVE: 7/1/2023	902.00Q	SHEET NO. 2 OF 2
DATE PREPARED: 4/4/2023		