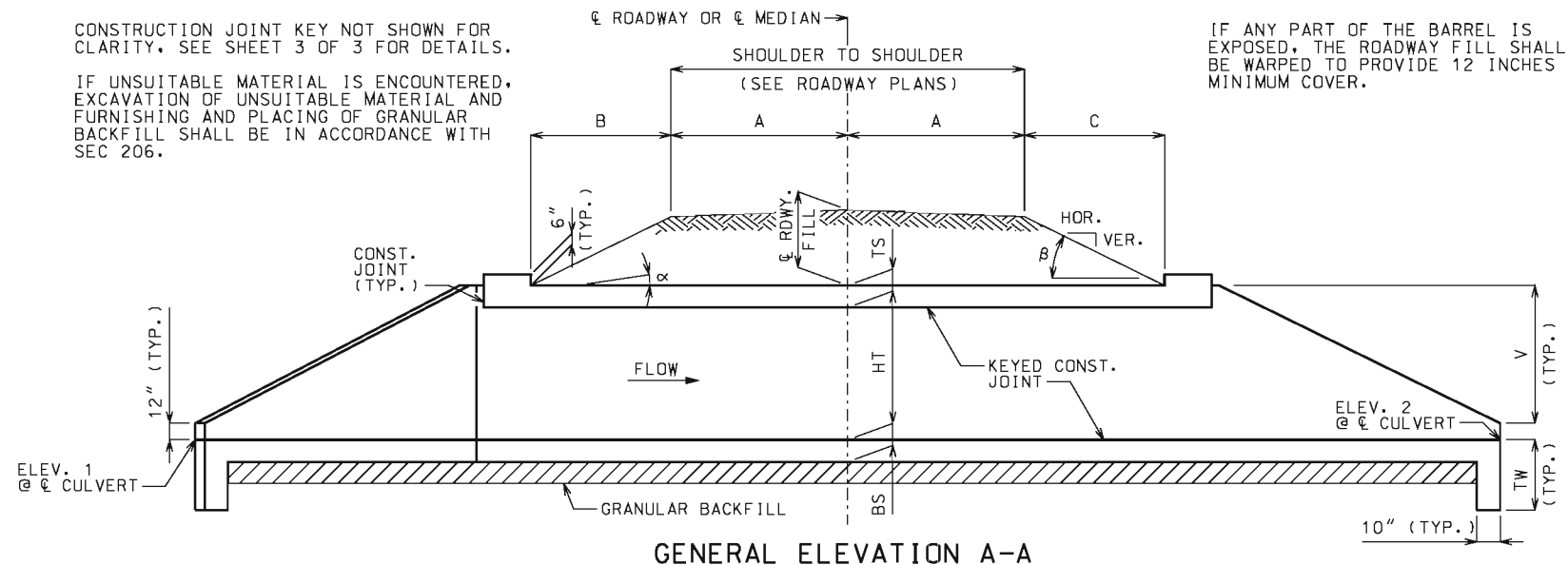


CONSTRUCTION JOINT KEY NOT SHOWN FOR CLARITY. SEE SHEET 3 OF 3 FOR DETAILS.

IF UNSUITABLE MATERIAL IS ENCOUNTERED, EXCAVATION OF UNSUITABLE MATERIAL AND FURNISHING AND PLACING OF GRANULAR BACKFILL SHALL BE IN ACCORDANCE WITH SEC 206.

IF ANY PART OF THE BARREL IS EXPOSED, THE ROADWAY FILL SHALL BE WARPED TO PROVIDE 12 INCHES MINIMUM COVER.



GENERAL ELEVATION A-A

CHANNEL BOTTOM SHALL BE GRADED WITHIN RIGHT OF WAY FOR TRANSITION OF CHANNEL BED TO CULVERT OPENINGS. CHANNEL BANKS SHALL BE TAPERED TO MATCH CULVERT OPENINGS.

EQUATIONS FOR COMPUTING α , β , B AND C

α = ANGLE OF BARREL SLOPE WITH HORIZONTAL NORMAL TO ϕ ROADWAY OR ϕ MEDIAN = $\text{ARCTAN}\left(\frac{\text{ELEV. 1} - \text{ELEV. 2}}{W}\right)$

β = ANGLE OF FILL SLOPE WITH HORIZONTAL NORMAL TO ϕ ROADWAY OR ϕ MEDIAN = $\text{ARCTAN}\left(\frac{\text{VER.}}{\text{HOR.}}\right)$

B = HORIZONTAL DISTANCE FROM UPSTREAM EDGE OF SHOULDER TO UPSTREAM HEADWALL NORMAL TO ϕ ROADWAY OR ϕ MEDIAN = $\frac{\phi \text{ RDWY. FILL} + A(\text{CS}) - A(\text{TAN}\alpha)}{\text{TAN}\beta + \text{TAN}\alpha}$

C = HORIZONTAL DISTANCE FROM DOWNSTREAM EDGE OF SHOULDER TO DOWNSTREAM HEADWALL NORMAL TO ϕ ROADWAY OR ϕ MEDIAN = $\frac{\phi \text{ RDWY. FILL} + A(\text{CS}) + A(\text{TAN}\alpha)}{\text{TAN}\beta - \text{TAN}\alpha}$

CS = CROSS SLOPE OF EACH PART OF ROADWAY INCLUDING CROWN, LANES AND SHOULDERS. CS IS POSITIVE IF RISING AND NEGATIVE IF FALLING AWAY FROM ϕ ROADWAY OR ϕ MEDIAN.

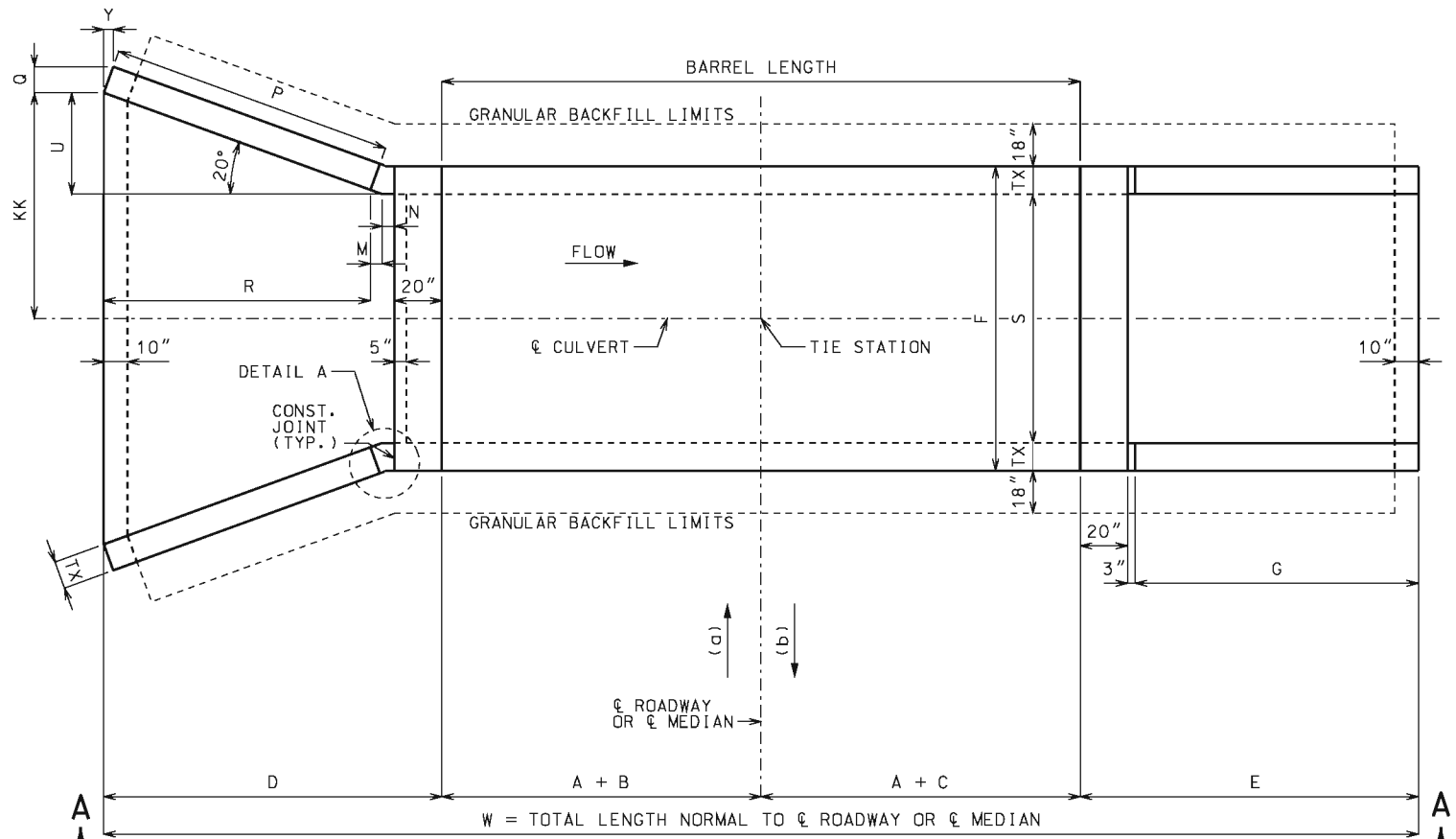
THE TERM "A(CS)" IS THE DIFFERENCE IN ELEVATION BETWEEN ϕ ROADWAY OR ϕ MEDIAN AND THE TOP OF THE FILL SLOPE NORMAL TO ϕ ROADWAY OR ϕ MEDIAN. THIS TERM SHALL BE ADJUSTED FOR UNSYMMETRICAL AND NONSTANDARD ROADWAYS.

TO ACCOUNT FOR A VARYING PROFILE GRADE THE ϕ ROADWAY FILL SHALL BE BASED ON STATIONS THAT CORRESPOND TO THE CORNERS OF THE INSIDE FACE OF THE HEADWALLS THAT PRODUCE MAXIMUM VALUES FOR B AND C.

SEE ROADWAY PLANS FOR SLOPES, ϕ ROADWAY FILL AND ELEVATIONS 1 AND 2. ELEVATIONS 1 AND 2 CORRESPOND TO UPPER AND LOWER FLOW LINE ELEVATIONS AND MAY BE BELOW THE NATURAL STREAM BOTTOM DUE TO ENVIRONMENTAL REQUIREMENTS.

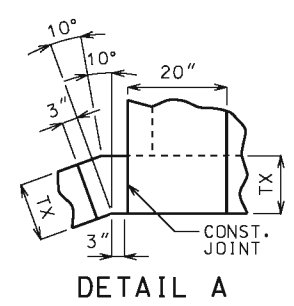
LAYOUT DIMENSIONS

VARIABLE	DIMENSION	VARIABLE	DIMENSION
α	SEE EQUATIONS	P	$2V(\text{SEC } 20^\circ)$
β	SEE EQUATIONS	Q	$TX(\text{COS } 20^\circ)$
B	SEE EQUATIONS	R	$P(\text{COS } 20^\circ)$
C	SEE EQUATIONS	U	$(R + M)(\text{TAN } 20^\circ)$
D	$R + M + N + 20"$	V	$HT + TS - 12"$
E	$G + 23"$	W	$2A + B + C + D + E$
F	$S + 2TX$	Y	$TX(\text{SIN } 20^\circ)$
G	$2V$	KK	$S/2 + U$
M	$N(\text{COS } 20^\circ)$	TW	$\text{MAX}\{3'-4" \text{ OR } (BS + 12")\}$
N	$3" + TX(\text{TAN } 10^\circ)$		



PLAN OF LAYOUT DIMENSIONS

(a) AHEAD STATION WHERE STREAM FLOWS LEFT TO RIGHT. (b) AHEAD STATION WHERE STREAM FLOWS RIGHT TO LEFT.



GENERAL NOTES:

DESIGN SPECIFICATIONS:
2010 AASHTO LRFD BRIDGE DESIGN SPECIFICATIONS AND 2010 INTERIM REVISIONS

DESIGN LOADING:
VEHICULAR = HL-93 MINUS LANE LOAD, EARTH = 120 LB/CF
EQUIVALENT FLUID PRESSURE = 30 LB/CF (MIN.), 60 LB/CF (MAX.)

DESIGN UNIT STRESSES:
CLASS B-1 CONCRETE (BOX CULVERT) $f'c = 4,000$ PSI
REINFORCING STEEL (GRADE 60) $f_y = 60,000$ PSI

MISCELLANEOUS:
FOR REINFORCEMENT DETAILS, SEE SHEET 2 OF 3. FOR SECTION DETAILS, SEE SHEET 3 OF 3. FOR MEMBER THICKNESS, SEE 703.17.

DRAWING NOT TO SCALE. FOLLOW DIMENSIONS.
DIMENSIONS ARE IN INCHES UNLESS OTHERWISE NOTED.

WHEN ALTERNATE PRECAST CONCRETE BOX CULVERT SECTIONS ARE USED, THE MINIMUM DISTANCE FROM INSIDE FACE OF HEADWALLS TO PRECAST SECTIONS MEASURED ALONG THE SHORTEST WALL SHALL BE 3 FEET. REINFORCEMENT AND DIMENSIONS FOR WINGS AND HEADWALLS SHALL BE IN ACCORDANCE WITH MISSOURI STANDARD PLANS.

MISSOURI HIGHWAYS AND TRANSPORTATION COMMISSION

105 WEST CAPITOL
JEFFERSON CITY, MO 65102
1-888-ASK-MODOT (1-888-275-6636)

CONCRETE SINGLE BOX CULVERT

SKEW: SQUARED
WINGS: FLARED

LAYOUT

THIS SHEET HAS BEEN SIGNED, SEALED AND DATED ELECTRONICALLY.

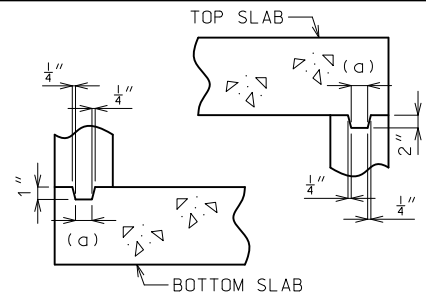
DATE EFFECTIVE: 07/01/2015

DATE PREPARED: 5/13/2015

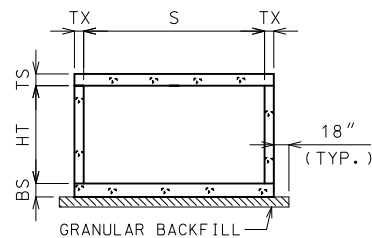
703.11J

SHEET NO.
1 OF 3

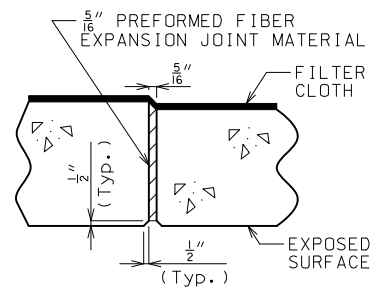
IF A SEAL IS PRESENT ON THIS SHEET IT HAS BEEN ELECTRONICALLY SEALED AND DATED.



KEYED CONSTRUCTION JOINT
(a) APPROXIMATELY ONE-THIRD OF WALL THICKNESS



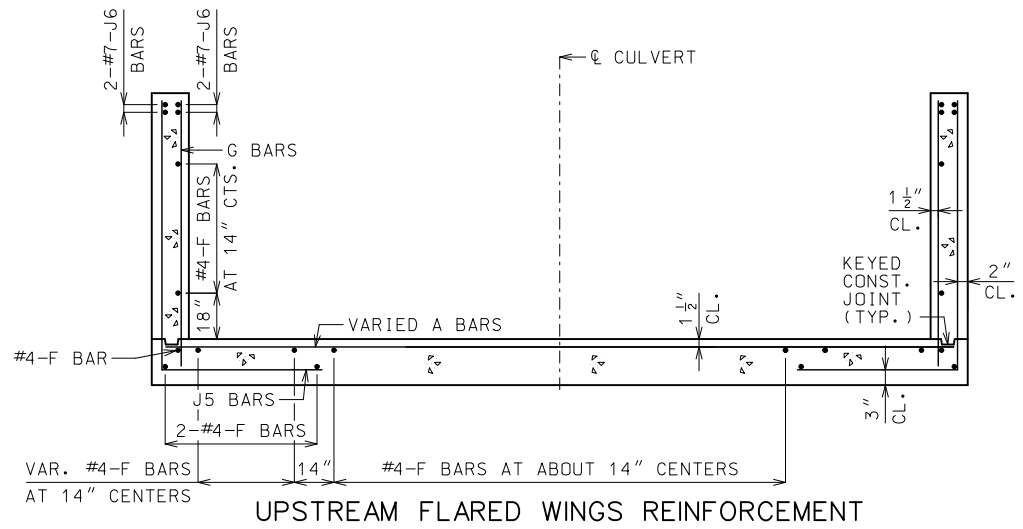
GRANULAR BACKFILL LIMITS AND MEMBER DIMENSIONS



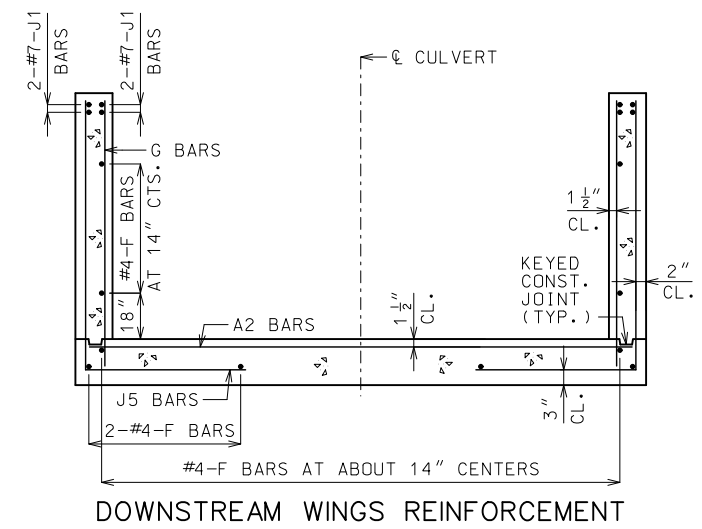
TRANSVERSE JOINT THRU BARREL

PREFORMED FIBER EXPANSION JOINT MATERIAL IN ACCORDANCE WITH SEC 1057 SHALL BE SECURELY STITCHED TO ONE FACE OF THE CONCRETE WITH 10 GAGE COPPER WIRE OR 12 GAGE SOFT DRAWN GALVANIZED STEEL WIRE.

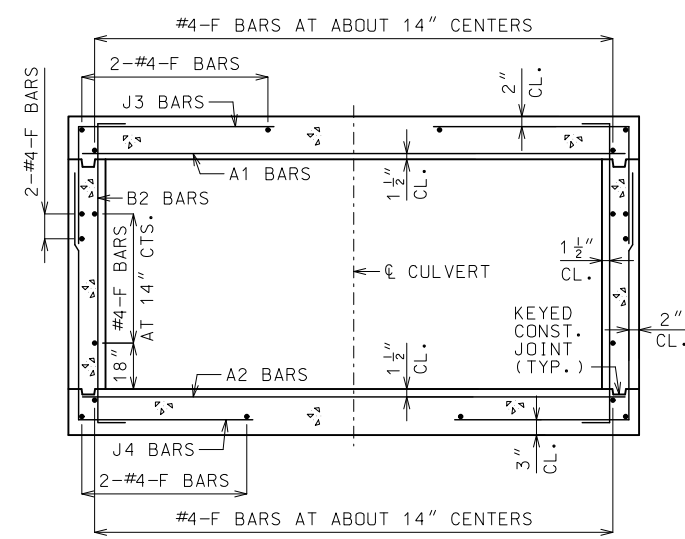
FILTER CLOTH 3 FEET IN WIDTH AND DOUBLE THICKNESS SHALL BE CENTERED ON TRANSVERSE JOINTS IN TOP SLAB AND SIDEWALLS WITH EDGES SEALED WITH MASTIC OR TWO SIDED TAPE. FILTER CLOTH SHALL BE A SEPARATION GEOTEXTILE IN ACCORDANCE WITH SEC 1011. COST OF FURNISHING AND INSTALLING FILTER CLOTH WILL BE CONSIDERED COMPLETELY COVERED BY THE CONTRACT UNIT PRICE FOR OTHER ITEMS.



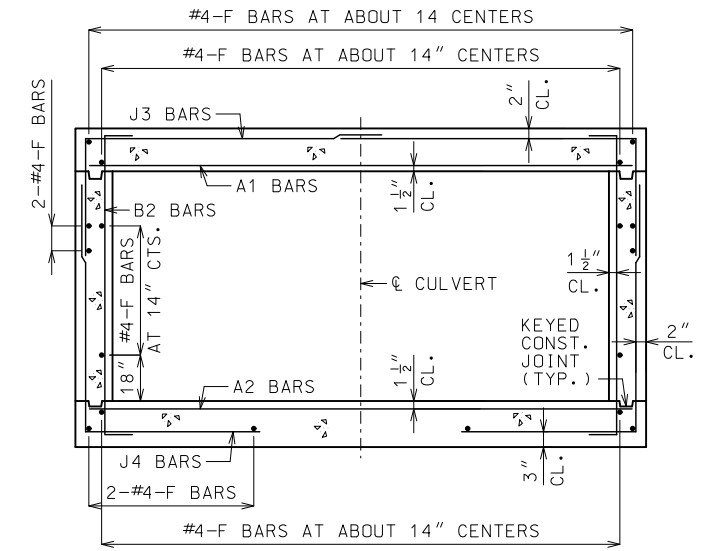
UPSTREAM FLARED WINGS REINFORCEMENT



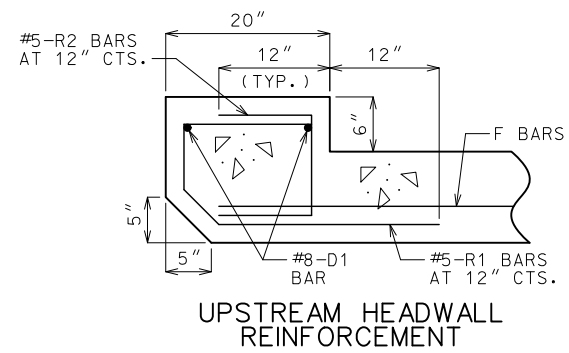
DOWNSTREAM WINGS REINFORCEMENT



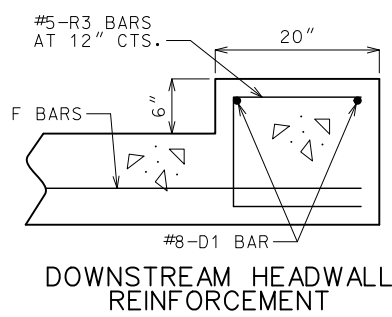
BARREL REINFORCEMENT FOR DESIGN FILLS OVER 2'-0"



BARREL REINFORCEMENT FOR DESIGN FILLS 2'-0" OR LESS



UPSTREAM HEADWALL REINFORCEMENT



DOWNSTREAM HEADWALL REINFORCEMENT

GENERAL NOTES:
FOR MEMBER THICKNESS AND FOR BAR SIZES, SPACING AND DIMENSIONS OF ALL REINFORCEMENT EXCEPT J5 BARS, SEE 703.17. FOR J5 BARS, SEE 703.37.
BARREL AND WINGS SECTIONS ARE SYMMETRICAL ABOUT AND NORMAL TO CULVERT. HEADWALL SECTIONS ARE NORMAL TO LONG DIRECTION OF HEADWALL.
DRAWING NOT TO SCALE. FOLLOW DIMENSIONS.
MINIMUM CLEARANCE TO REINFORCING STEEL SHALL BE 1 1/2".

	MISSOURI HIGHWAYS AND TRANSPORTATION COMMISSION 105 WEST CAPITOL JEFFERSON CITY, MO 65102 1-888-ASK-MODOT (1-888-275-6636)	
	CONCRETE SINGLE BOX CULVERT SKEW: SQUARED WINGS: FLARED SECTIONS	
	DATE EFFECTIVE: 01/01/2021 DATE PREPARED: 10/14/2020	703.11J SHEET NO. 3 OF 3

IF A SEAL IS PRESENT ON THIS SHEET IT HAS BEEN ELECTRONICALLY SEALED AND DATED.