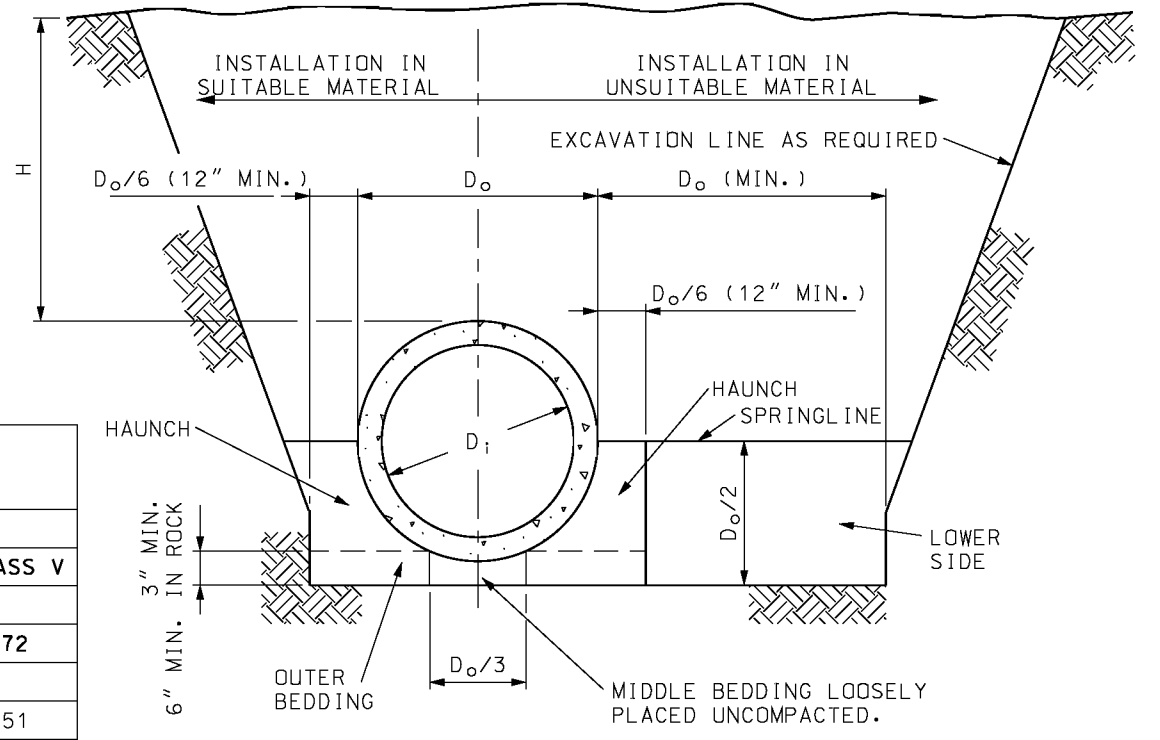


**EMBANKMENT INSTALLATIONS**

- CONSTRUCTION SEQUENCE**
1. PLACE BEDDING MATERIAL TO GRADE. DO NOT COMPACT.
  2. INSTALL PIPE TO GRADE.
  3. COMPACT BEDDING OUTSIDE THE MIDDLE THIRD OF THE PIPE.
  4. PLACE AND COMPACT THE HAUNCH AREA UP TO THE SPRINGLINE.
  5. COMPLETE BACKFILL ACCORDING TO SPECIFICATIONS.

MAXIMUM DIAMETER AND MAXIMUM FILL HEIGHT					
INSTALLATION TYPE	CLASS OF PIPE				
	CLASS I	CLASS II	CLASS III	CLASS IV	CLASS V
	MAXIMUM DIAMETER (INCHES)				
	108	108	108	84	72
	MAXIMUM FILL HEIGHT IN (FEET)				
TYPE 1	12	15	21	33	51
TYPE 2	9	12	17	26	39
TYPE 3	7	9	13	20	30
TYPE 4	4	6	9	13	20

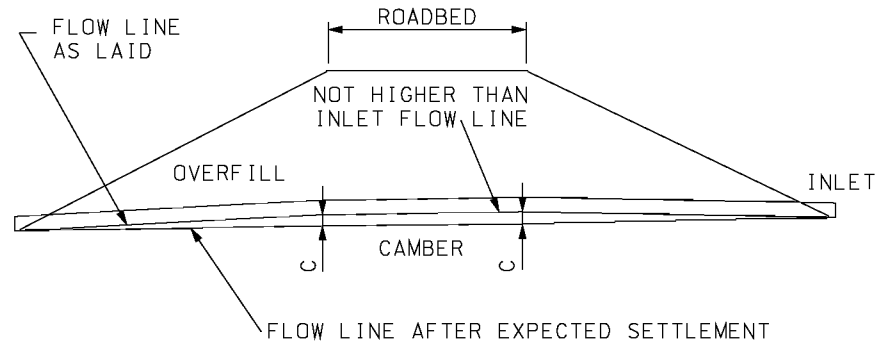
IF FILL HEIGHT EXCEEDS 51 FEET AND PIPE DIAMETER IS 36 INCHES OR LESS A SPECIAL PIPE DESIGN AND INSTALLATION PROCEDURE SHALL BE REQUIRED. IF FILL HEIGHT EXCEEDS 51 FEET AND PIPE DIAMETER IS GREATER THAN 36 INCHES A SPECIAL DESIGN PIPE IS NOT ALLOWED.



**TRENCH INSTALLATION**

**- LEGEND -**

- $D_i$  = NORMAL INSIDE DIAMETER OF PIPE.
- $D_o$  = OUTSIDE DIAMETER OF PIPE.
- H = FILL COVER HEIGHT OVER PIPE (FEET)
- MIN. = MINIMUM
- [Hatched pattern] = UNDISTURBED SOIL



**NOTE:**  
ON YIELDING SOIL, PIPE CULVERTS SHALL BE PLACED ON A CAMBERED FLOW LINE. THE AMOUNT OF CAMBER WILL VARY WITH SOIL CONDITION AND SHALL BE SPECIFIED ON THE DESIGN PLANS.

**TYPICAL CAMBERED FLOW LINE**

BEDDING AND COMPACTION REQUIREMENTS							
INSTALLATION TYPE	BEDDING THICKNESS	COMPACTION REQUIREMENTS (MIN. STANDARD PROCTOR %)					
		HAUNCH AND OUTER BEDDING			LOWER SIDE BEDDING		
		CATEGORY 1 SOIL (A)	CATEGORY 2 SOIL (B)	CATEGORY 3 SOIL (C)	CATEGORY 1 SOIL (A)	CATEGORY 2 SOIL (B)	CATEGORY 3 SOIL (C)
1	$D_o/24$ MINIMUM, NOT LESS THAN 3". IF ROCK FOUNDATION, USE $D_o/12$ MINIMUM, NOT LESS THAN 6".	95	N/A	N/A	90	95	100
2	$D_o/24$ MINIMUM, NOT LESS THAN 3". IF ROCK FOUNDATION, USE $D_o/12$ MINIMUM, NOT LESS THAN 6".	90	95	N/A	85	90	95
3	$D_o/24$ MINIMUM, NOT LESS THAN 3". IF ROCK FOUNDATION, USE $D_o/12$ MINIMUM, NOT LESS THAN 6".	85	90	95	85	90	95
4	$D_o/24$ MINIMUM, NOT LESS THAN 3". IF ROCK FOUNDATION, USE $D_o/12$ MINIMUM, NOT LESS THAN 6".	NO COMPACTION REQUIRED	NO COMPACTION REQUIRED	85	NO COMPACTION REQUIRED	NO COMPACTION REQUIRED	85

- (A) GRAVELLY SAND
- (B) SANDY-SILT
- (C) SILTY CLAY

**GENERAL NOTES:**

MULTIPLE PIPE CULVERTS SHALL BE INSTALLED WITH A MINIMUM CLEARANCE BETWEEN PIPES OF  $\frac{1}{2} D_o$  OR 12", WHICHEVER IS GREATER, BUT NOT TO EXCEED 36".

CLASS I AND CLASS II REINFORCED CONCRETE PIPE SHALL ONLY BE USED FOR SEWERS IN TRENCHES OUTSIDE ROADBED AND STREET LIMITS.

**MISSOURI HIGHWAYS AND TRANSPORTATION COMMISSION**

105 WEST CAPITOL  
JEFFERSON CITY, MO 65102  
1-888-ASK-MODOT (1-888-275-6636)

STATE OF MISSOURI  
ERIC E. SCHROETER  
NUMBER PE-28411  
PROFESSIONAL ENGINEER

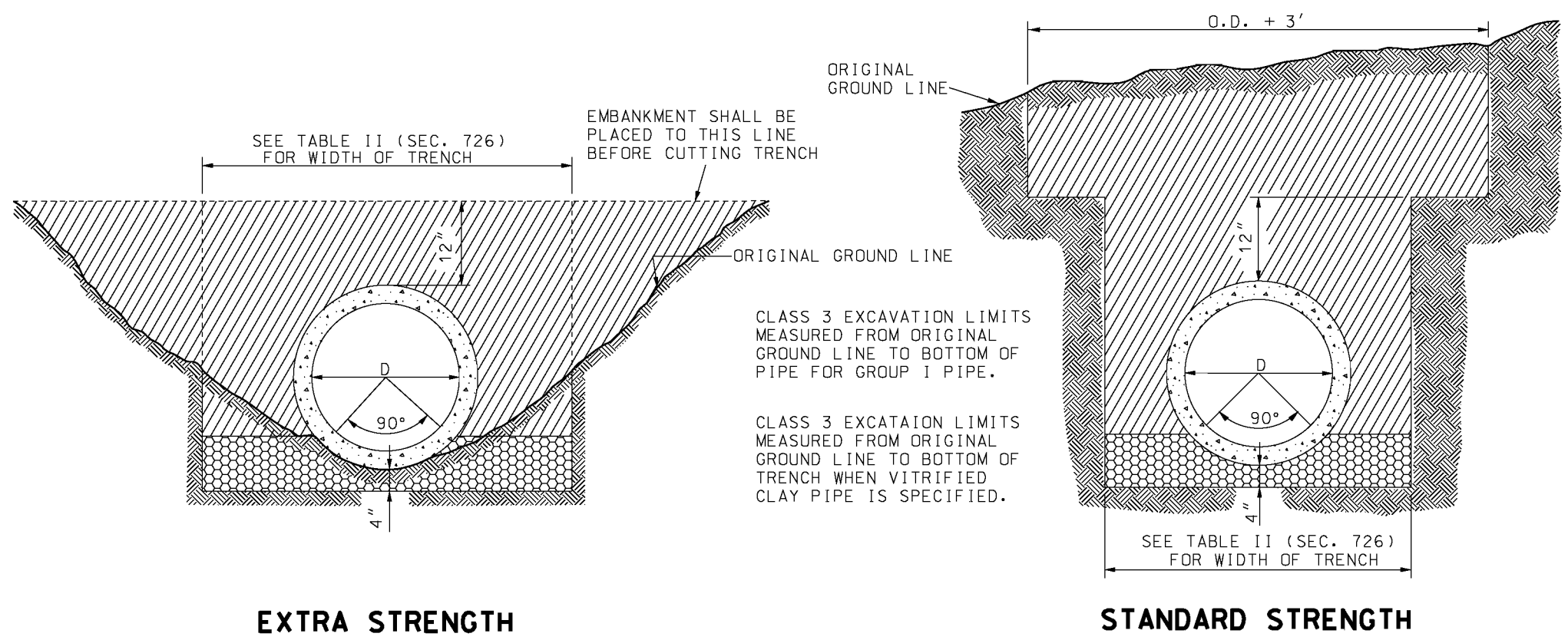
THIS SHEET HAS BEEN SIGNED, SEALED AND DATED ELECTRONICALLY.

**RIGID CULVERT INSTALLATION METHODS REINFORCED CONCRETE PIPE CULVERTS**

DATE EFFECTIVE: 04/01/2015	726.30J	SHEET NO. 1 OF 2
DATE PREPARED: 2/20/2015		

IF A SEAL IS PRESENT ON THIS SHEET IT HAS BEEN ELECTRONICALLY SEALED AND DATED.

IF A SEAL IS PRESENT ON THIS SHEET IT HAS BEEN ELECTRONICALLY SEALED AND DATED.



**LEGEND**

- COMPACTED ROADWAY EMBANKMENT
- SUITABLE BACKFILL
- LOOSE DRY MATERIAL
- COMPACTED SAND

**EXTRA STRENGTH**

**STANDARD STRENGTH**

HEIGHT OF FILL OVER V.C. PIPE CULVERTS						
NOMINAL PIPE DIAMETER (INCH)	STANDARD STRENGTH			EXTRA STRENGTH		
	TRENCH WIDTH AT ONE FOOT ABOVE TOP OF PIPE (FEET)	MINIMUM FILL HEIGHT (FEET)	MAXIMUM FILL HEIGHT (FEET)	TRENCH WIDTH AT ONE FOOT ABOVE TOP OF PIPE (FEET)	MINIMUM FILL HEIGHT (FEET)	MAXIMUM FILL HEIGHT (FEET)
6	2.0	1.0	9.0			
8	2.0	1.0	7.0	2.5	4.0	12.0
10	2.5	1.0	7.0	2.5	4.0	12.0
12	2.7	1.0	6.0	3.0	4.0	13.0
15	3.5	1.0	6.0	3.0	4.0	17.0
18	3.5	1.0	6.0	3.5	4.0	17.0
21	4.0	1.0	6.0	4.0	4.0	17.0
24	4.0	1.0	8.0	4.0	3.0	19.0
30	4.5	1.0	10.0	4.5	3.0	19.0
36	5.0	1.0	11.0	5.0	3.0	19.0

**MISSOURI HIGHWAYS AND TRANSPORTATION COMMISSION**  
105 WEST CAPITOL  
JEFFERSON CITY, MO 65102  
1-888-ASK-MODOT (1-888-275-6636)

**RIGID CULVERT INSTALLATION METHODS**  
VITRIFIED CLAY PIPE CULVERTS

THIS SHEET HAS BEEN SIGNED, SEALED AND DATED ELECTRONICALLY.

**DATE EFFECTIVE: 04/01/2015**  
**DATE PREPARED: 2/20/2015**

**726.30J**

SHEET NO.  
**2 OF 2**