

2009-10 District Winner

Tool and Equipment Challenge Showcase
<http://wwwi/intranet/or/SolutionsAtWork/ToolEquip.htm>

March 2010

Prepared by Organizational Results
Missouri Department of Transportation

Belly Plow Jacks

Description

Hydraulic jack stands were fabricated to assist with installing and removing belly plow blades.

Benefit

Hydraulic jacks allow workers to quickly and safely install or remove belly plow blades. Caster wheels allow workers to easily maneuver plow blades into place.

Parts and Labor

15 ft. – 2” square steel tubing
11 ft. – 1” square steel tubing
1 ft. – 1” angle
2 ft. – ¾” round steel rod
3 ft. – 2-½” x ¾” flat steel plate
2 ft. – 2” x ¼” flat steel plate
5 – 4” casters
1 – hydraulic jack (4 ton)

Total \$350 per jack

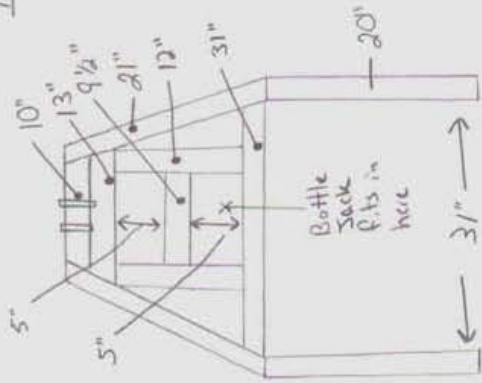
Labor 8 hours per jack

For More Information

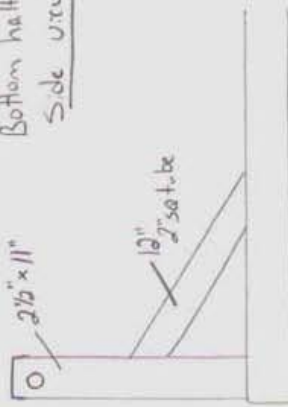
Contact Scott Lesslie at
anthony.lesslie@modot.mo.gov or
(573) 654-3536. Additional photos
can be seen by accessing the Tool
and Equipment Challenge
homepage at
<http://wwwi/intranet/or/SolutionsAtWork/ToolEquip.htm>.



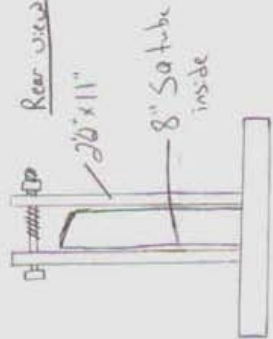
Top Overview of Bottom half



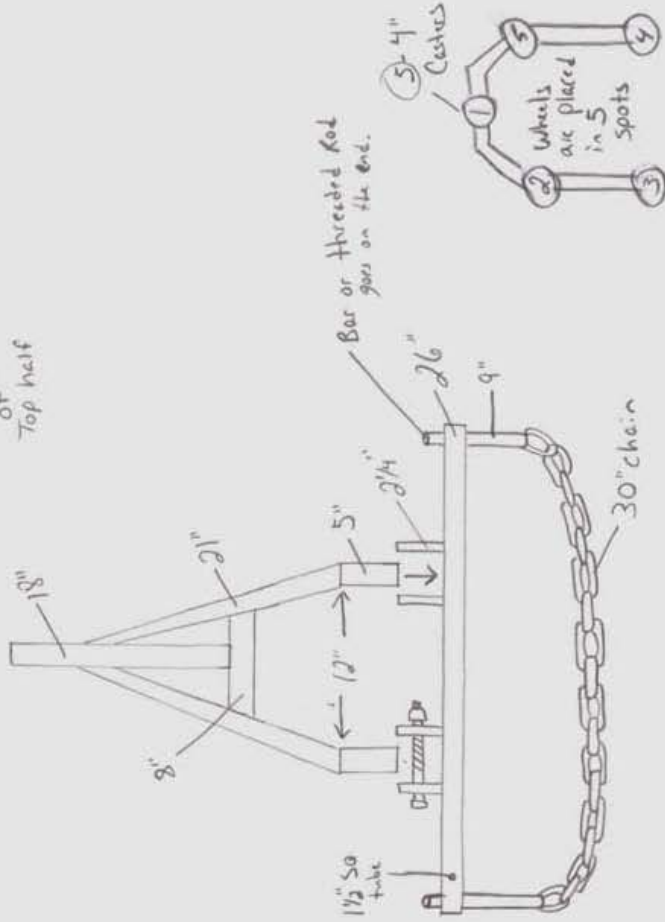
Bottom half Side view



Rear view



Top overview of Top half



Side View

