



## Tool and Equipment Challenge Application Form

Have you or your work group made a tool or modified a piece of equipment to get work done better, faster or cheaper? Why not let everyone share in the success? Fill out the form below. Your best practice may even qualify for an award and be used throughout the state. Most of all, thanks for helping make MoDOT the best it can be.

1) Describe your best practice. (Attach photos, videos and diagrams if available.)

Our best practice is a tool (we call it our Guardrail Pusher) that mounts on a set of skid steer loader forks and is used to clean build up of aggregate and folage from underneath the guardrail. This helps in keeping the Roadsides Attractive and is also a Best Practice because it is Quick, Easy To Use, and produces a quality finished product.

There are photos and a video included with this submission.

2) How does MoDOT benefit from this best practice? (Check all that apply.)

- Saves money
- Saves time
- Simplifies work
- Improves safety

Describe how: This is an example of the Department Empowering us as employees to come up with Ideas to make our jobs Better, Faster, Cheaper and it was an opportunity to use Teamwork. I (Larry Parsons) came up with the concept to build this but I wanted to make it a quick detach system. I went to John Shrewsbury and introduced the idea to him and he mentioned using the forks to mount it on. So we built it mostly out of scrap material and it works great. This is a tool that gets the job done effectivley and cuts manual labor to a minimum. The safety aspect is that with less manual labor there is less possibility of heat related illnesses or strain injuries.

3) When was your best practice implemented?

2004

4) How much does your tool or equipment modification cost? (Please attach a complete materials list.)

Total labor hours:

4

Total material costs:

\$180 +/-

5) Contact information: Name

Larry Parsons

Telephone


816-528-3712

District/Location

01 / Lathrop Maintenance

Please save and send your completed form and any attachments to your district challenge coordinator.

Or sign and mail your completed form through department mail.

  
(Signature if mailed)

10-22-08  
(Date)

Materials List for the Guardrail Pusher

½"	8' Motorgrader Bit		\$42.25
12'	3"x6" Tubing	\$9.25 @ Ft	\$111.00
13'	1" Square Tubing	\$1.82 @ Ft	\$23.66
4'	3/8" Chain	\$.82 @ Ft	\$3.28
1	3/8" Hook		<u>\$1.49</u>
		Total	\$181.68







01/22/2009



01/22/2009



01/22/2009



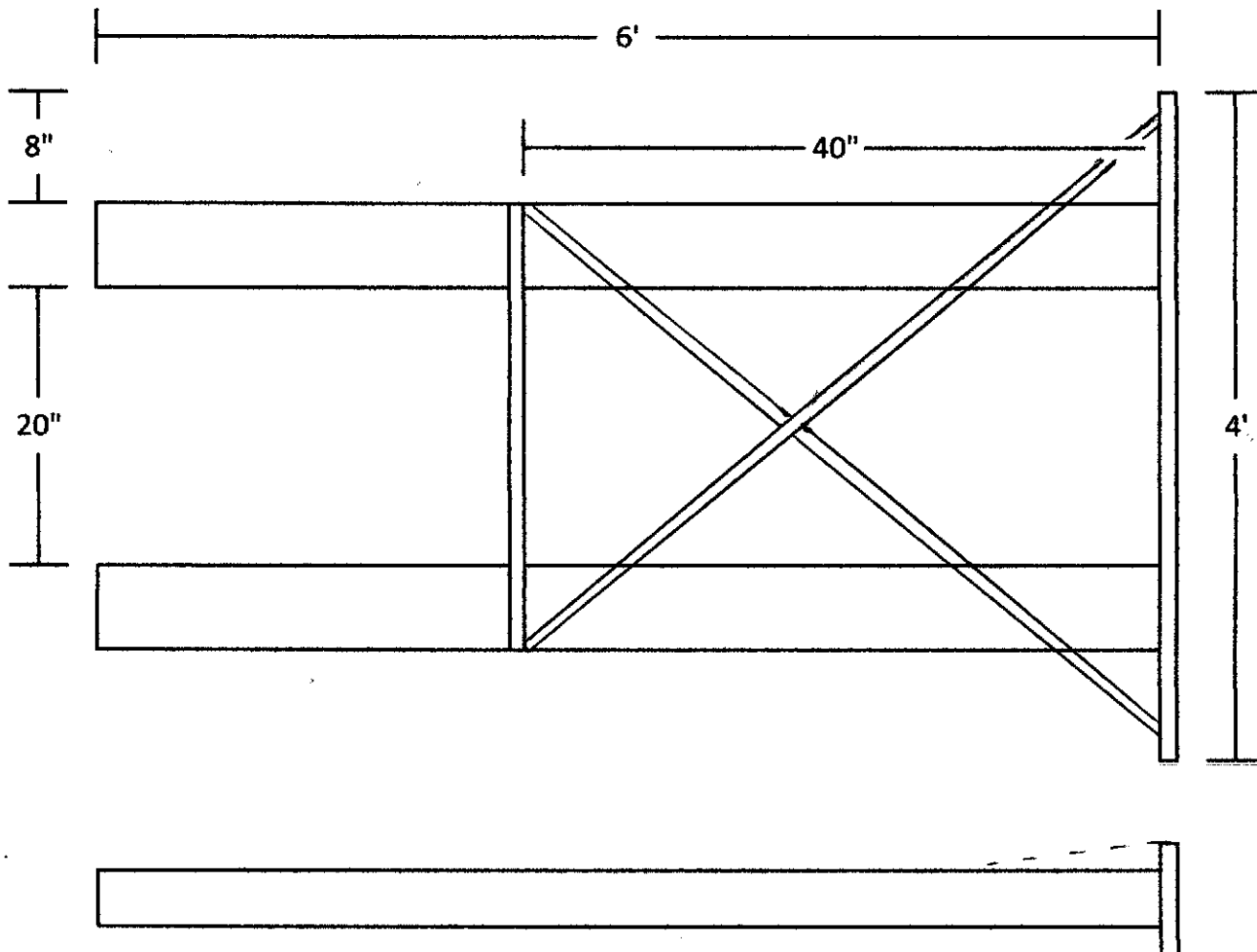
01/22/2009





01/22/2009

# GUARDRAIL PUSHER TOOL AND EQUIPMENT CHALLENGE 2009



1 - 4' piece of motor grader blade

2 - 6' pieces of 4" x 6" rectangular tubing

14' of 1" tubing for bracing

3' of 3/8" chain to run from the brace to the fork attachment to keep the pusher from coming off of the forks

We discussed at the tool and equipment challenge about putting a plate from the top of the grader blade down to the 4" x 6" tubing to minimize the chance of damaging the guardrail when backing out from under it.

Questions? Larry Parsons 816-528-3712

John Shrewsbury 816-387-2955