

Tree Trimming Platform



Description

District staff fabricated a steel platform with a sliding extension.

Benefit

The tree trimming platform quickly slides out into place to trim overhanging tree limbs while the truck stays safely on the road surface.

Parts and Labor

See shop drawings on page 2 for complete parts list.

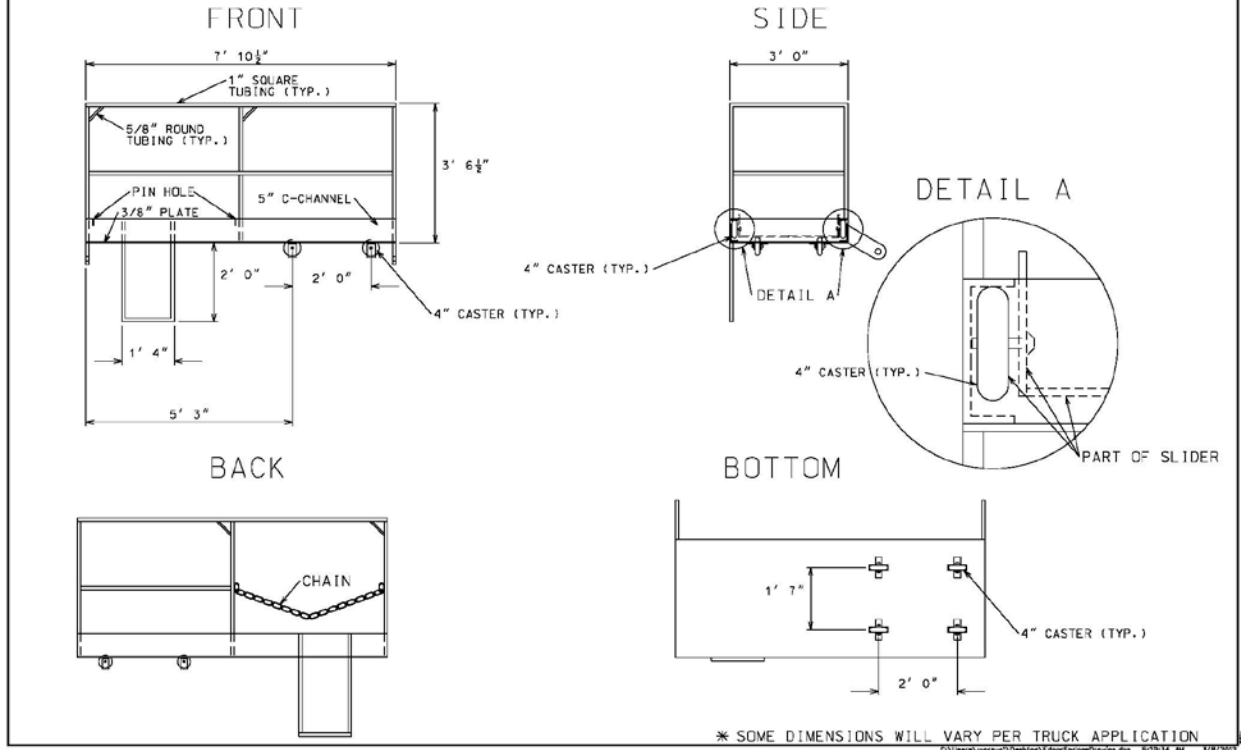
Total: \$1,350

Labor: 10 hours

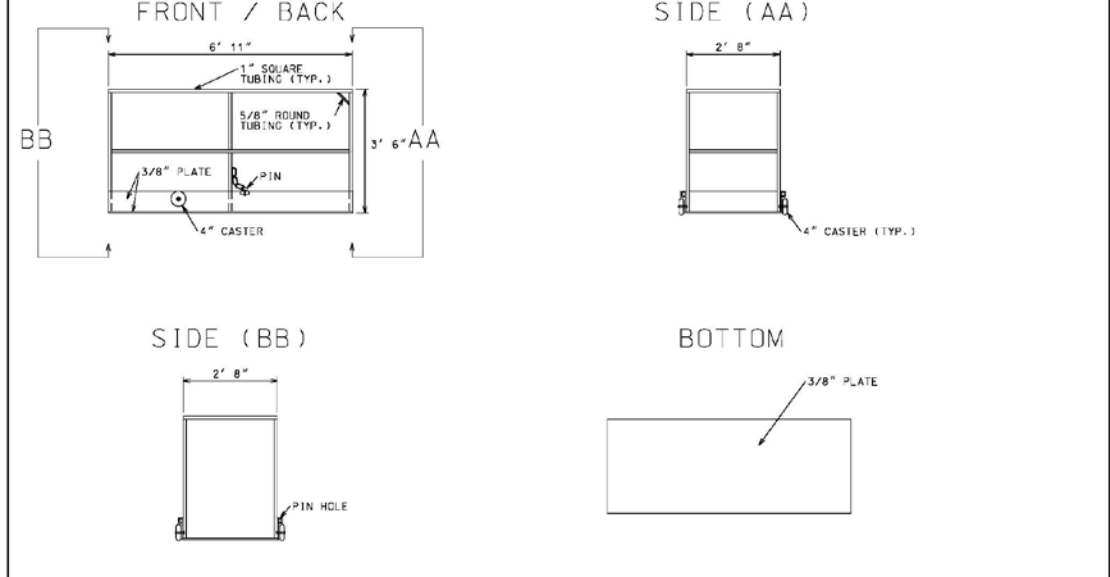
For More Information

Contact Steve Heavin at (573) 435-6637. Additional photos can be seen by accessing the Innovations Challenge homepage at <http://wwwi/intranet/cr/SolutionsAtWork/Innovations.htm>.

FRAME DRAWING



SLIDER DRAWING



- 1 - 4' x 8' x 1/4" flat steel
- 20 feet - 6" x 3/8" flat steel
- 16 feet - 1/4" x 5" c-channel
- 100 feet - 1-1/4" 12 gauge square tubing
- 1 - 2' x 2' x 1/2" flat steel
- 1 foot - 3" x 4" x 1/4" angle
- 4 - 5" casters
- 2 - 4" casters
- 8 feet - DOT reflective tape
- 40 feet - anti-skid tape