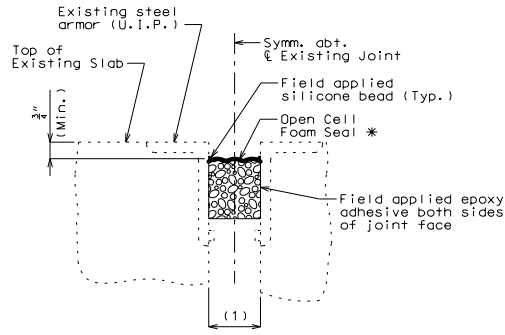


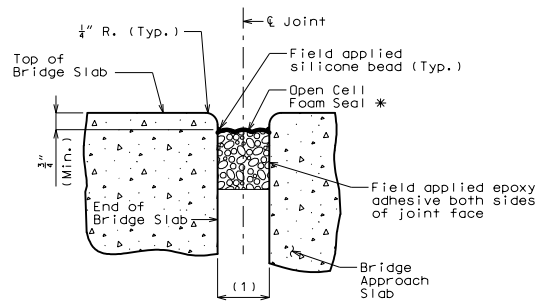
Alternate Details



SECTION THRU JOINT AT --- NO. ---
SKEW = --°

* Manufacturer's recommended size
Extend seal 3" past edges of slab.

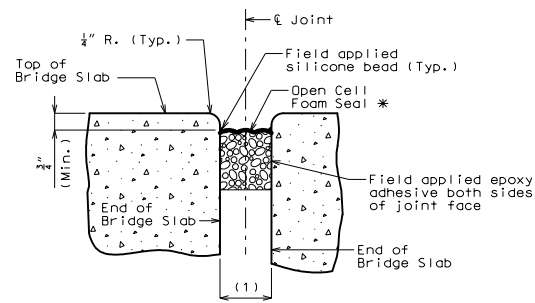
With existing steel armor



SECTION THRU JOINT AT ABUTMENT NO. ---
SKEW = --°

* Manufacturer's recommended size
Extend seal 3" past edges of slab.

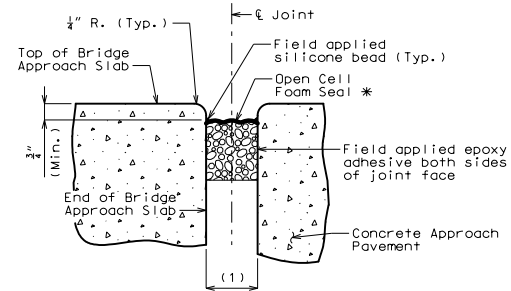
Between slab and approach slab



SECTION THRU JOINT AT BENT NO. ---
SKEW = --°

* Manufacturer's recommended size
Extend seal 3" past edges of slab.

Use for locations other than approach slab



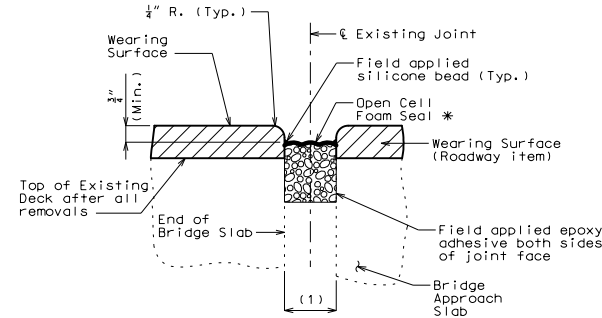
SECTION THRU JOINT AT END OF BRIDGE APPROACH SLAB
SKEW = --°

* Manufacturer's recommended size

Extend seal full width of approach slab.

Between bridge approach slab and concrete approach pavement
(Use only with approval of SPM or SLE)

SEAL01_OCF Effective: Feb. 2021 Supersedes: May 2020



SECTION THRU JOINT AT ABUTMENT NO. ---
SKEW = --°

* Manufacturer's recommended size

Extend seal 3" past edges of slab.

Standard Drawing Guidance (do not show on plans):

- Revise notes and details per project as necessary.
- Use standard detailing notes H5.31, H5.33 thru H5.36 (EPG 751.50) when new armor is to be used. Modify note H5.33 for open cell foam joint seal.
- Use standard detailing note H5.55 when polymer concrete wearing surface is used with an open cell foam joint seal.
- When new steel armor is to be installed, use armor information from P.COM standard drawing and modify as needed.
- Omit "s" when not applicable.

General Notes:

Open cell foam joint seal size (width and depth) shall be determined by the manufacturer. Manufacturer recommended seal size shall meet the movement and installation gap requirements and skew effect.

The open cell foam joint seal shall be installed according to the manufacturer's recommendations.

The installation temperature shall be taken as the actual air temperature averaged over the 24-hour period immediately preceding installation.

(1) Allowed installation gap (±) normal to joint at roadway surface (see table)

"THIS MEDIA SHOULD NOT BE CONSIDERED A CERTIFIED DOCUMENT."

DATE PREPARED 2/9/2021

ROUTE STATE MO

DISTRICT BR SHEET NO. *

COUNTY *

JOB NO. *

CONTRACT ID. *

PROJECT NO.

BRIDGE NO. SEAL01

DESCRIPTION

DATE

REVISIONS

DATE

DESCRIPTION

DATE

DESCRIPTION

DATE

DESCRIPTION

DATE

DESCRIPTION

DATE

DESCRIPTION

DATE

DESCRIPTION

DATE

DESCRIPTION

DATE

DESCRIPTION

DATE

DESCRIPTION

DATE

DESCRIPTION

DATE

DESCRIPTION

DATE

DESCRIPTION

DATE

DESCRIPTION

DATE

DESCRIPTION

DATE

DESCRIPTION

DATE

DESCRIPTION

DATE

DESCRIPTION

DATE

DESCRIPTION

DATE

DESCRIPTION

DATE

DESCRIPTION

DATE

DESCRIPTION

DATE

DESCRIPTION

DATE

Movement Parallel to Rdwy	Movement Normal to Joint	Min. Jt. Width (Normal to Joint)	Max. Jt. Width (Normal to Joint)	(1) Allowed Installation Gap (±) Normal to Joint at Roadway Surface at Air/Surface Temperature				Manufacturer	Seal Name
				@ 40°F	@ 50°F	@ 60°F	@ 70°F		
XXX	XXX	XXX	XXX	XXX	XXX	XXX	XXX		

MoDOT construction personnel will record the manufacturer and seal name that was used.

OPEN CELL FOAM JOINT SEAL

Detailed Checked

Note: This drawing is not to scale. Follow dimensions.

Sheet No. of