

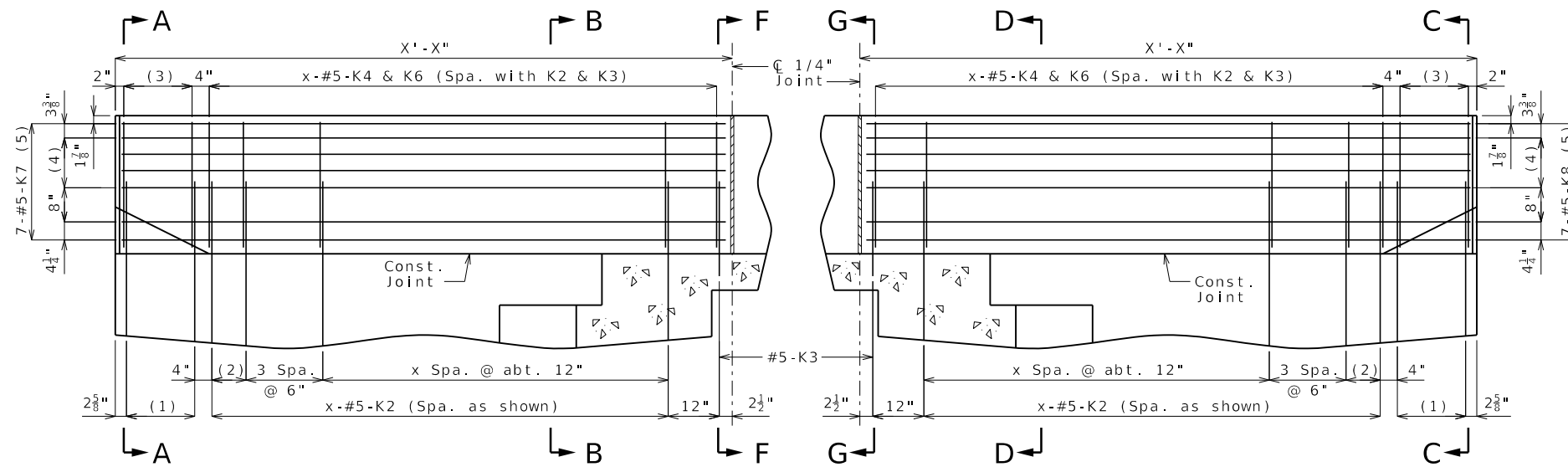


Standard Drawing Guidance: (do not show on plans)

For skews greater than 3 degrees, use alternate details above, which substitutes a K3 bar for the end K2 bar. For skews greater than 41 degrees, two K3 bars are required.

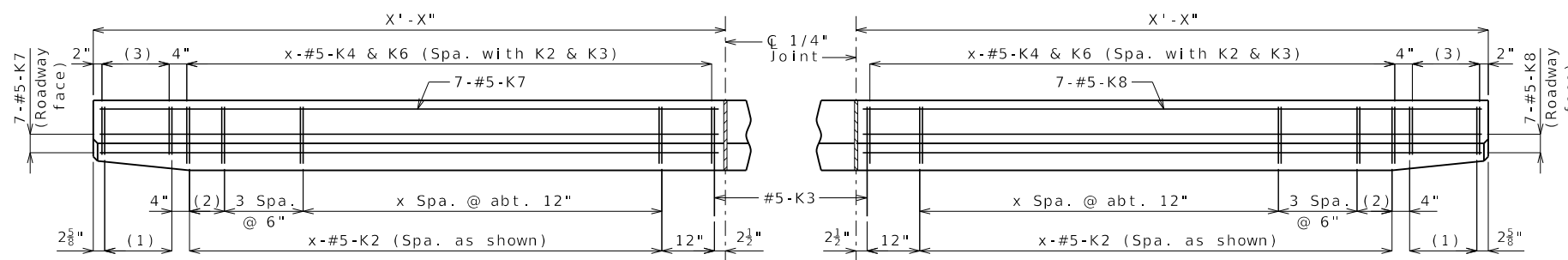
① Dimensions are based on a 2.0% sloped deck. Subtract 1/8" for a 3/16" per foot sloped deck.

② Based on 8 1/2" slab. Adjust for different slab thickness.

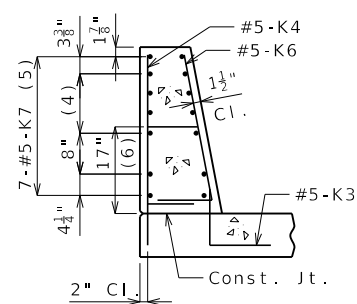


PART ELEVATION

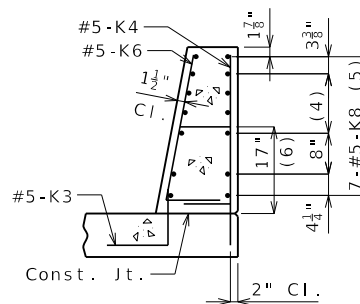
- (1) 5-#5-K1 @ 4" cts.
- (2) 2 Spaces @ 4"
- (3) 5-#5-K4 and 5-#5-K5, spaced with K1
- (4) 3 Spaces @ 3 1/8"
- (5) Spaced as shown, each face
- (6) To top of bar



PART PLAN



SECTION F-F



SECTION G-G

Alternate Details for Skewed Bridges Requiring K3 Bars