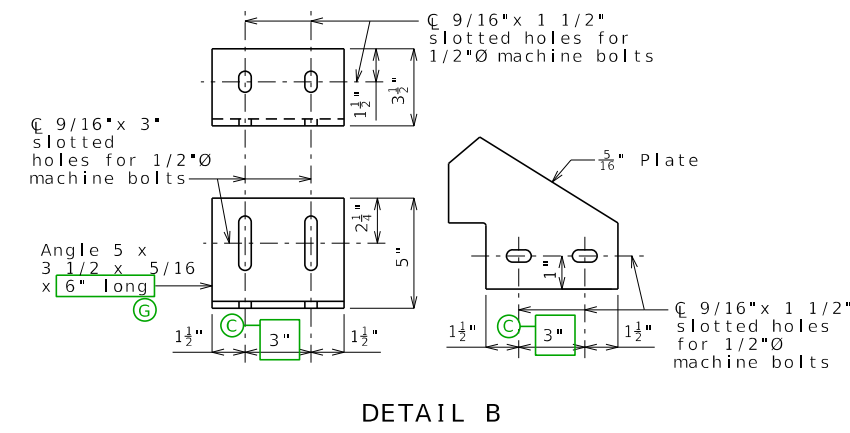
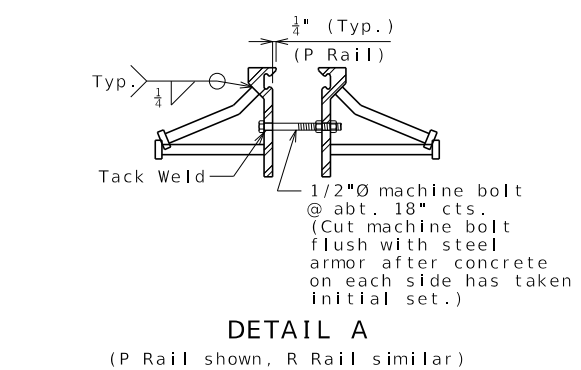


**GENERAL NOTES:**  
Expansion joint system shall be fabricated in one section, except for staged construction and when the length is over 50 feet. A complete joint penetration groove welded splice shall be required. Welds shall be ground flush to provide a smooth surface. The expansion joint system shall be fabricated and installed to the crown and grade of the roadway.  
The strip seal gland shall be installed in joints in one continuous piece without field splices. Factory splicing will be permitted for joints in excess of 53 feet.  
Structural steel for the expansion joint system shall be ASTM A709 Grade 36 except the steel armor may be ASTM A709 Grade 50W. Anchors for the expansion joint system shall be in accordance with Sec 1037. Strip seal expansion joint system shall be in accordance with Sec 717.  
Structural steel for the expansion joint system shall be coated with a minimum of two coats of inorganic zinc primer to provide a total dry film thickness of 4 mils minimum, 6 mils maximum, or galvanized in accordance with ASTM A123. Anchors need not be protected from overspray.  
Longitudinal reinforcing steel shall be placed so that ends shall be 1" from the vertical leg of the steel armor at the expansion joint system.  
Concrete shall be forced under and around steel armor and anchors. Proper consolidation of the concrete shall be achieved by localized internal vibration.  
② The installation temperature shall be taken as the actual air temperature averaged over the 24-hour period immediately preceding installation.  
③ MoDOT Construction personnel will indicate the strip seal expansion joint system installed.  
Steel armor may also be referred to as extrusion or rail.  
The terms P and R rail are used for identification only, and are not endorsements for any particular manufacturer.  
\*\*\* Because of variation in armor dimensions, the concrete opening will vary if the optional R rail is used. Dimensions shown are based on the P rail option.



**Table of Allowed Transverse Strip Seal Expansion Joint System**

Manufacturer	Strip Seal System (Designated Name)	Movement Parallel to RDWY	Allowed Installation Gap Normal to Joint at RDWY Surface @ Air/Surface Temperature						③
			① @ 40°F	@ 50°F	@ 60°F	@ 70°F	@ 80°F	@ 90°F	
D S Brown	Strip seal L2-400	XXX	XXX	XXX	XXX	XXX	XXX	XXX	<input type="checkbox"/>
D S Brown	Strip seal L2-500	XXX	XXX	XXX	XXX	XXX	XXX	XXX	<input type="checkbox"/>
Watson Bowman Acme (Wabo)	Strip seal SE-300	XXX	XXX	XXX	XXX	XXX	XXX	XXX	<input type="checkbox"/>
Watson Bowman Acme (Wabo)	Strip seal SE-400	XXX	XXX	XXX	XXX	XXX	XXX	XXX	<input type="checkbox"/>
Watson Bowman Acme (Wabo)	Strip seal SE-500	XXX	XXX	XXX	XXX	XXX	XXX	XXX	<input type="checkbox"/>

**STRIP SEAL EXPANSION JOINT SYSTEM AT INTERMEDIATE BENT NO. \_**

DATE PREPARED: 7/12/2024  
ROUTE: MO STATE: MO DISTRICT: SHEET NO.: 5 COUNTY: JOB NO.: CONTRACT ID.: PROJECT NO.: BRIDGE NO.:  
DESCRIPTION: DATE: MISSOURI HIGHWAYS AND TRANSPORTATION COMMISSION  
105 WEST CAPITOL JEFFERSON CITY, MO 65102 1-888-ASK-MODOT (1-888-275-6636)

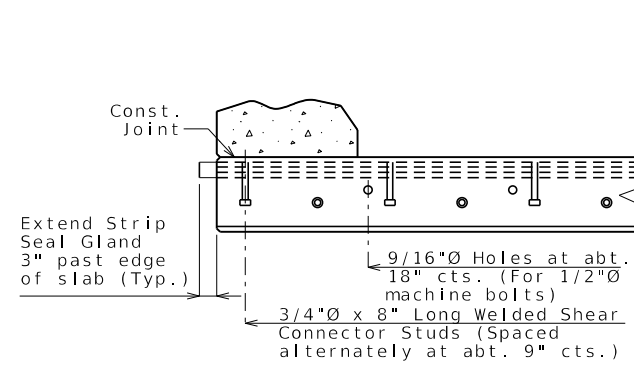
# STRIP05\_stl-psi Guidance & Alternate Details

Standard Drawing Guidance (do not show on plans):

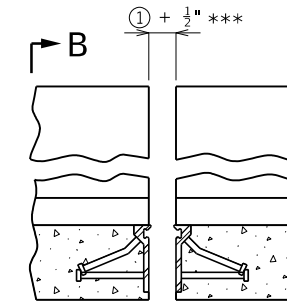
Modify drawing as necessary.

Remove non-applicable rows in table.

- (A) Piece angle length to center of first slotted hole.
- (B) Dimension to clear bearing stiffener (1 1/2" Min.). For rehab bridge, dimension should be based on shop drawing or field check.
- (C) Use 3". For rehab bridge, dimension should be based on shop drawing or field check.
- (D) Use Square, Right Advanced or Left Advanced Part Plan as needed.
- (E) 3/4" (Min.) @ 60° Verify only. Do not show on plans.
- (F) 1 @ 60° + 1/2" + (2 x 3/4") (Min.). Verify only. Do not show on plans.
- (G) Use 6" long angle. For rehab bridge, modify angle length based on shop drawing or field check.
- (H) Delete precast panel for CIP slab.

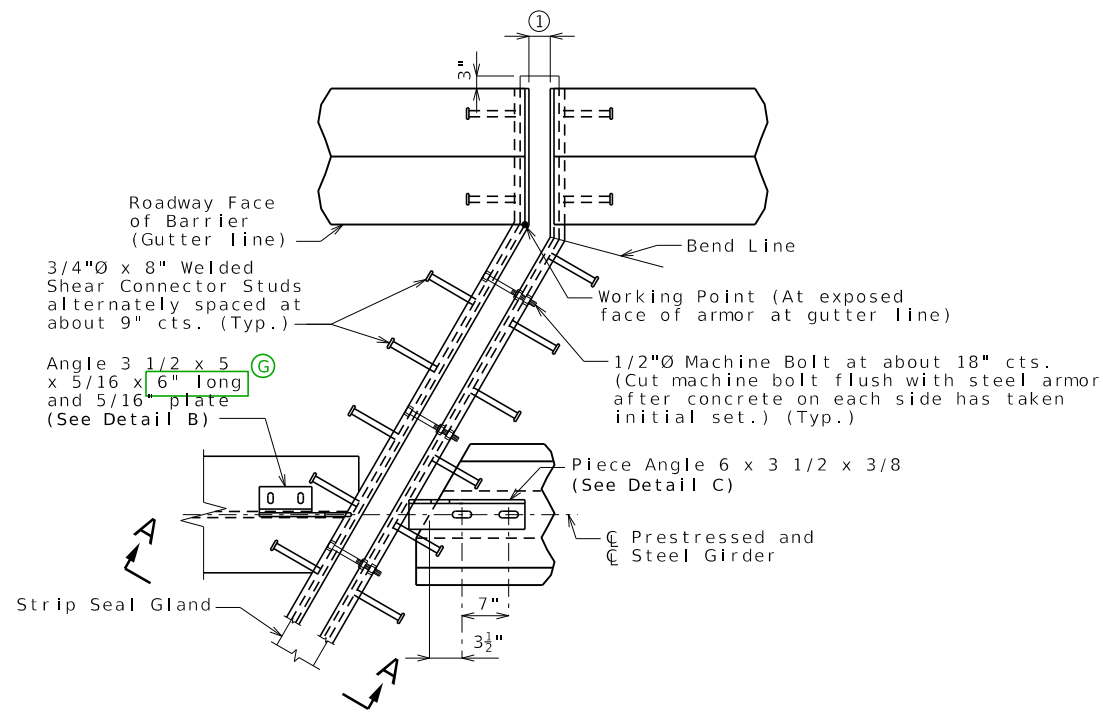


PART SECTION B-B



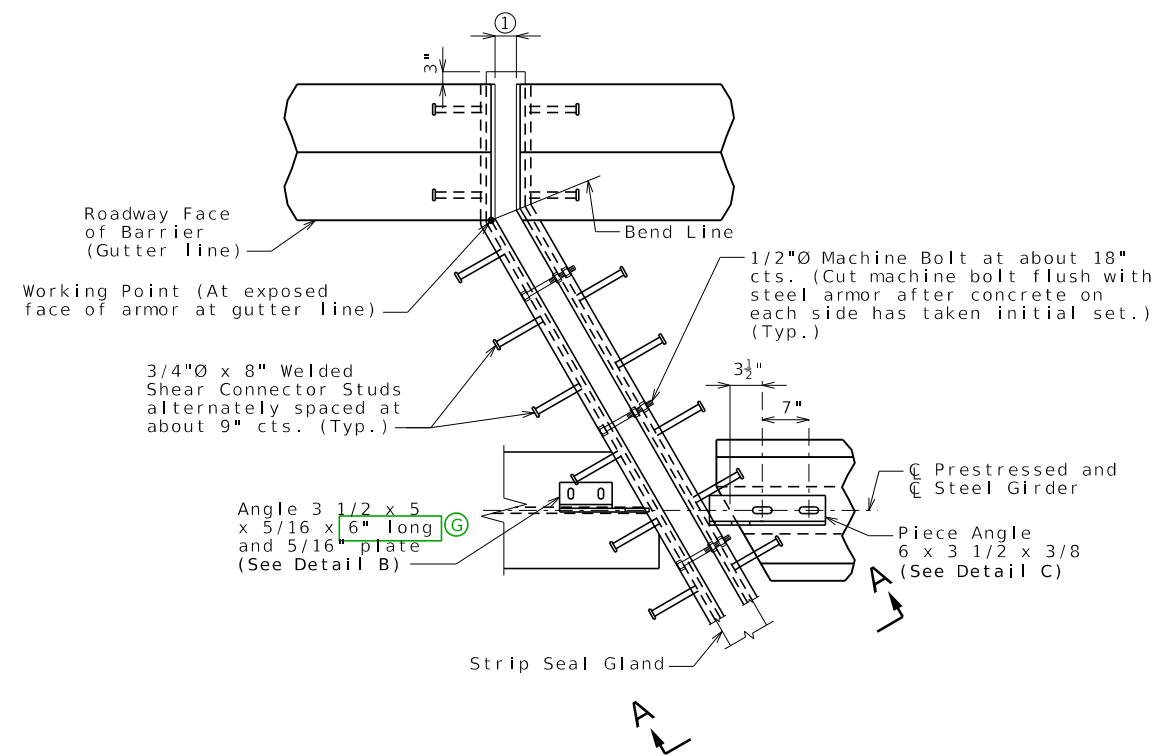
PART ELEVATION OF BARRIER  
Strip seal gland not shown for clarity.

## Alternate details for Type B barrier (SBC)



PART PLAN

Left Advanced



PART PLAN

Right Advanced