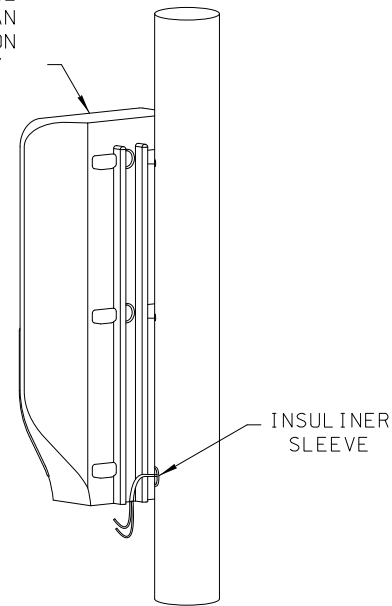
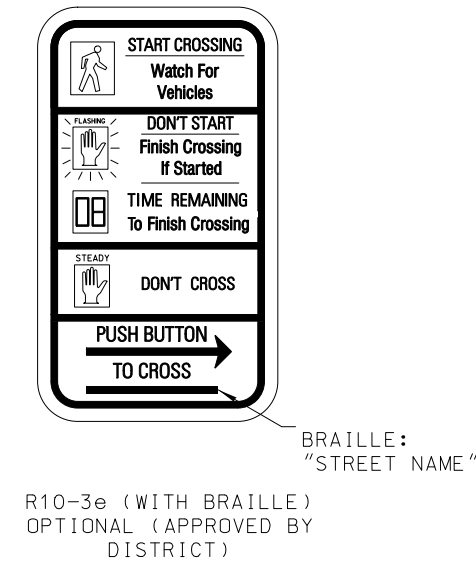
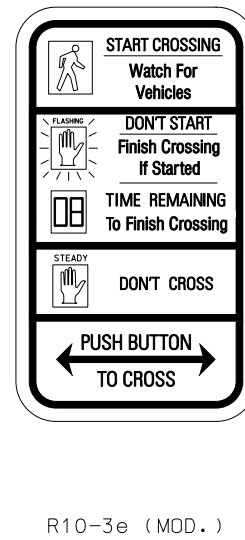
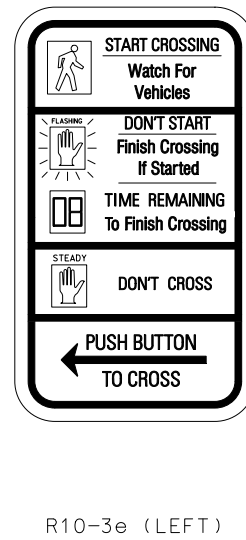
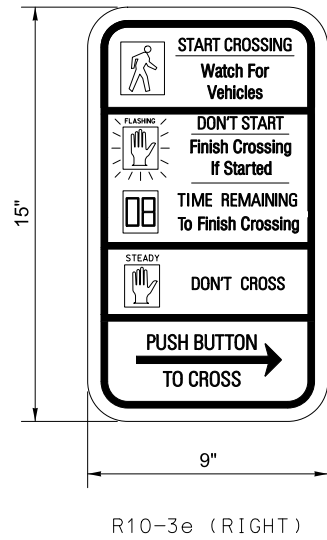


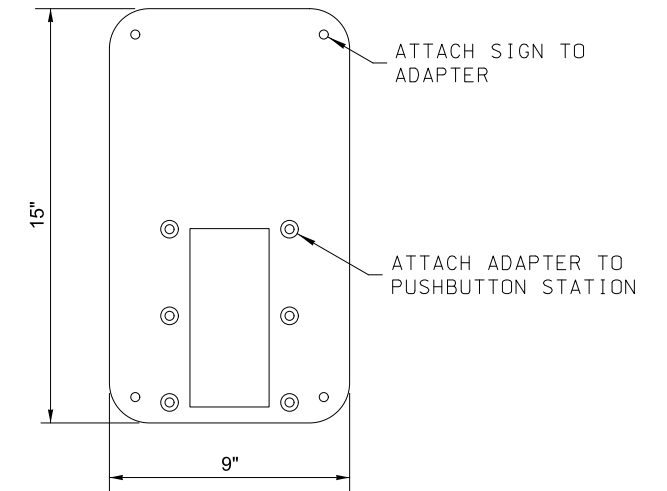
ACCESSIBLE PEDESTRIAN PUSHBUTTON ASSEMBLY



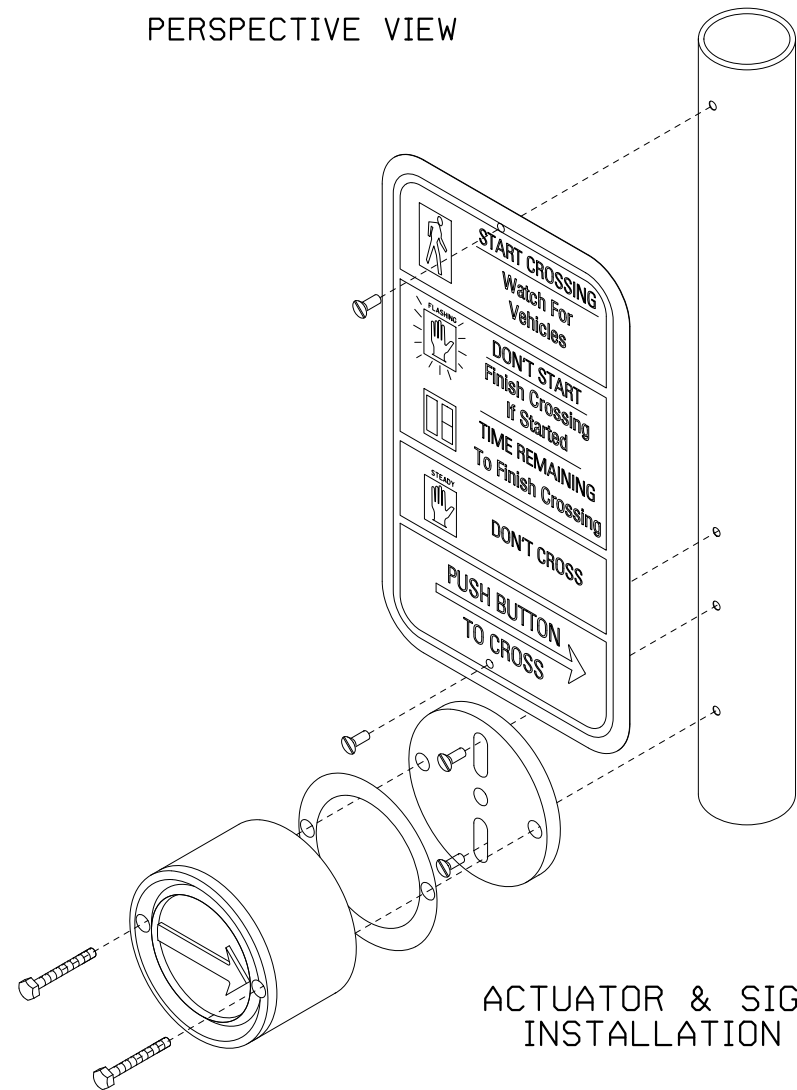
WIRE ROUTING PERSPECTIVE VIEW



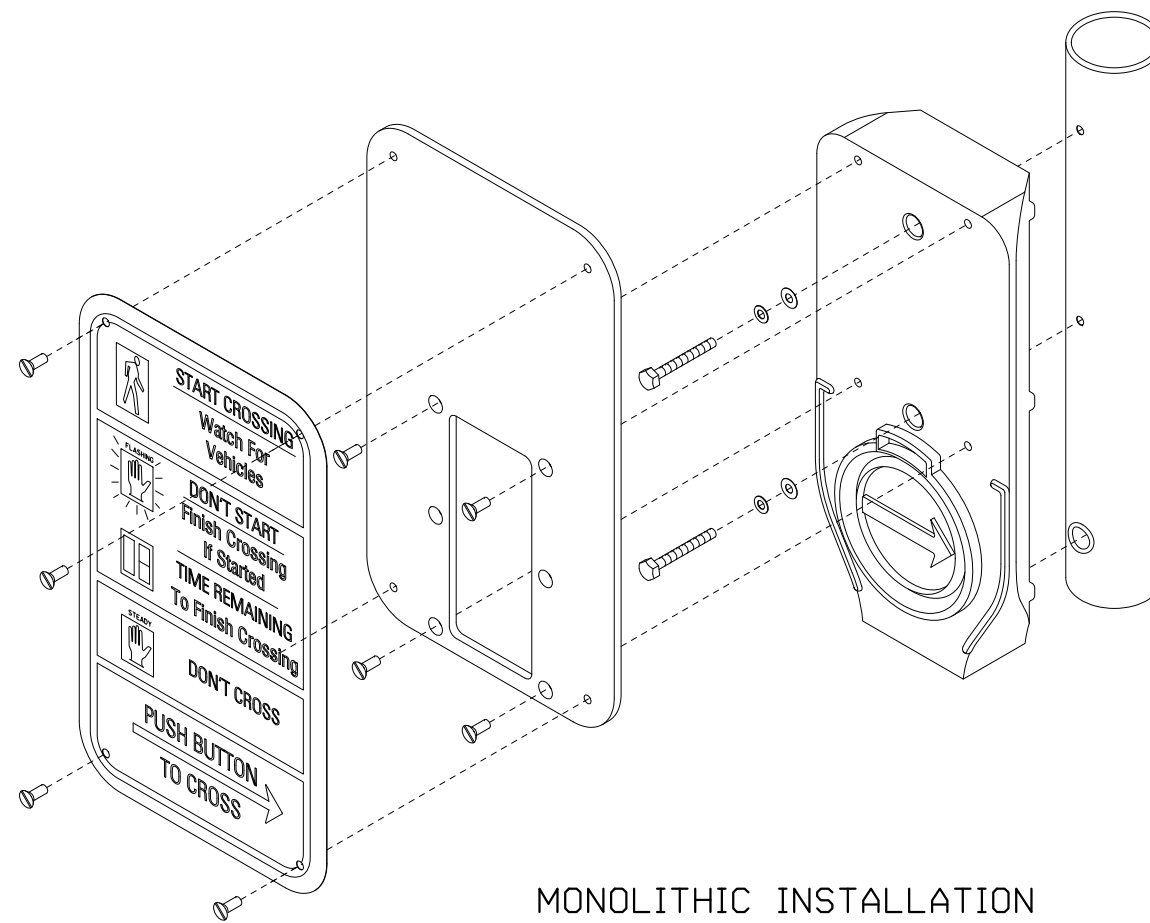
PEDESTRIAN PUSHBUTTON INSTRUCTIONAL SIGN



PEDESTRIAN PUSHBUTTON FRAME ADAPTER



ACTUATOR & SIGN INSTALLATION



MONOLITHIC INSTALLATION

ACCESSIBLE PEDESTRIAN SIGNAL ASSEMBLY

GENERAL NOTES:

ACCESSIBLE PEDESTRIAN SIGNAL ASSEMBLY MAY BE MONOLITHIC OR A SEPARATE ACTUATOR AND SIGN.

SIGNS FOR SIGNAL INSTALLATIONS, INCLUDING ALL MATERIAL REQUIRED FOR SIGN MOUNTING, SHALL BE FURNISHED BY THE CONTRACTOR. SIGNS SHALL BE MANUFACTURED IN ACCORDANCE WITH SEC 903, AND MOUNTED AS SHOWN ON THE PLANS.

ACCESSIBLE PEDESTRIAN SIGNAL ASSEMBLY CAN BE MOUNTED TO SIGNAL POLE, PEDESTRIAN POLE, OR PEDESTRIAN PUSHBUTTON POLE.

INCLUDE A 9" X 15" R10-3E SIGN WITH EACH ASSEMBLY.

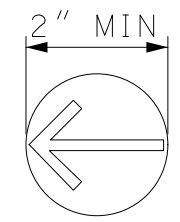
REQUIRES POLE ADAPTER WHEN MOUNTING TWO UNITS ON THE SAME PEDESTRIAN POLE. ADDITIONAL MOUNTING EXTENSION BRACKETS SHALL BE PROVIDED IF A 10" MAXIMUM REACH FROM AN ACCESSIBLE SIDEWALK CANNOT BE ACHIEVED.

IF THE CURB RAMP IS NOT ALIGNED WITH THE CROSSWALK, THE ACCESSIBLE PEDESTRIAN SIGNAL ASSEMBLY SHALL POINT IN THE DIRECTION OF TRAVEL, NOT IN THE DIRECTION OF THE CURB RAMP ORIENTATION.

<p>MISSOURI HIGHWAYS AND TRANSPORTATION COMMISSION</p> <p>105 WEST CAPITOL JEFFERSON CITY, MO 65102 1-888-ASK-MODOT (1-888-275-6636)</p>	
<p>STATE OF MISSOURI NICOLE A. KOLB HOOD NUMBER PE-2001018754 PROFESSIONAL ENGINEER</p> <p>THIS SHEET HAS BEEN SIGNED, SEALED AND DATED ELECTRONICALLY.</p>	<p>TRAFFIC SIGNALS</p> <p>ACCESSIBLE PEDESTRIAN SIGNALS</p>
<p>DATE EFFECTIVE: 04/01/2021</p> <p>DATE PREPARED: 2/17/2021</p>	<p>902.05</p>
<p>SHEET NO. 1 OF 2</p>	

IF A SEAL IS PRESENT ON THIS SHEET IT HAS BEEN ELECTRONICALLY SEALED AND DATED.

IF A SEAL IS PRESENT ON THIS SHEET IT HAS BEEN ELECTRONICALLY SEALED AND DATED.



ACTUATOR DETAIL

GENERAL NOTES:

ACCESSIBLE PEDESTRIAN SIGNAL ASSEMBLY MAY BE MONOLITHIC OR A SEPARATE ACTUATOR AND SIGN.

THE ACCESSIBLE PEDESTRIAN SIGNAL PUSHBUTTON SHALL BE OF THE PRESSURE-ACTIVATED TYPE WITH ESSENTIALLY NO MOVING PARTS. IT SHALL BE "ADA" COMPLIANT AND WEATHERPROOF.

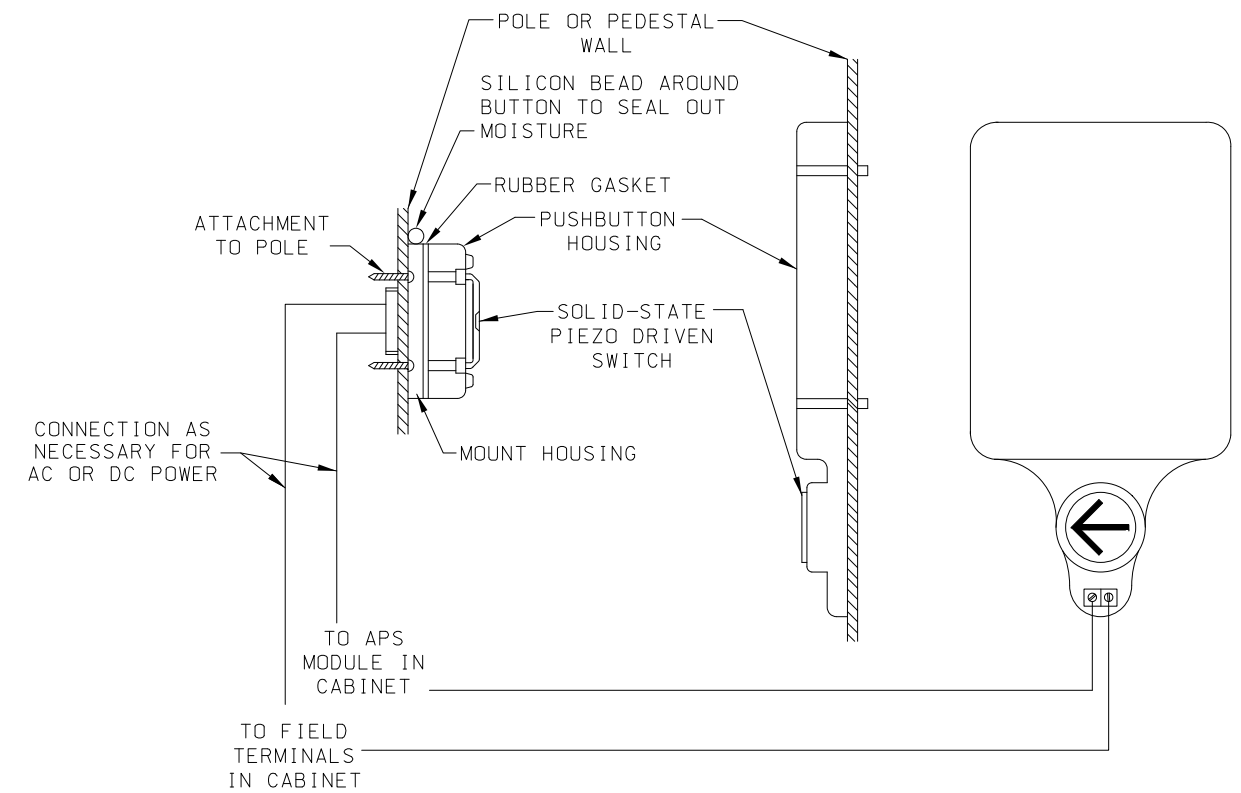
THE HOUSING SHALL BE BLACK, FIT THE CURVATURE OF THE POST TO WHICH IT IS ATTACHED AND SHALL PROVIDE A RIGID INSTALLATION. ACCESSIBLE PEDESTRIAN SIGNAL CAN BE MOUNTED TO THE SIGNAL POLE, PEDESTRIAN POLE, OR PEDESTRIAN PEDESTAL POLE.

THERE SHALL BE A TACTILE ARROW POINTING IN THE DIRECTION OF PEDESTRIAN TRAVEL CONTROLLED BY THE BUTTON.

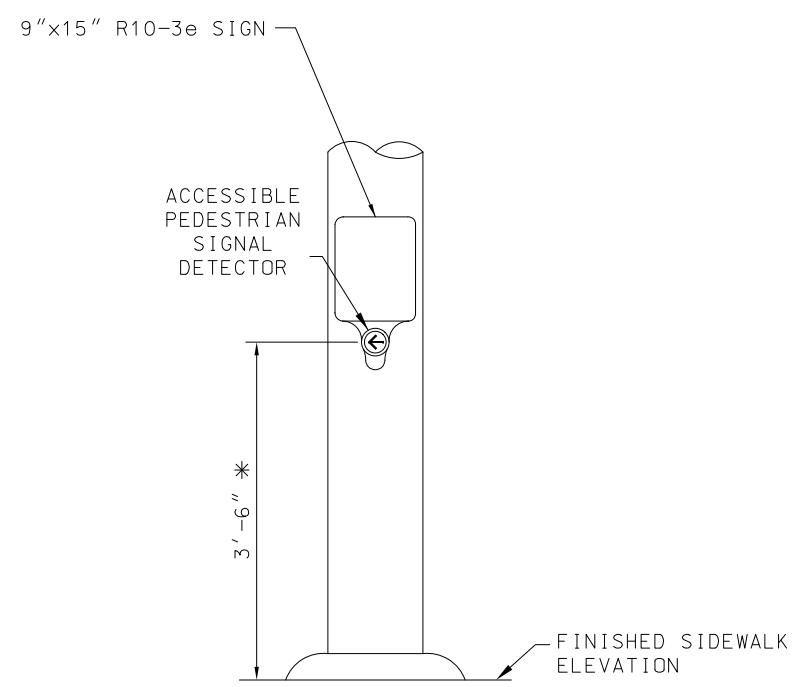
THE ACTUATOR SHALL BE A MINIMUM OF 2 INCHES IN DIAMETER, RAISED, CONTRAST VISUALLY WITH THE HOUSING AND MADE OF BRASS OR CORROSION-RESISTANT METAL ALLOY OR NON-METALLIC MATERIAL. A MAXIMUM FORCE OF 3.5 LBS SHALL BE REQUIRED TO ACTIVATE THE SWITCH. SWITCH SHALL BE OF THE SOLID-STATE ELECTRONIC, PIEZO TYPE.

THE ACCESSIBLE PEDESTRIAN SIGNAL SHALL OPERATE AT A VOLTAGE NO GREATER THAN 24 VOLTS. SOME MANUFACTURERS PROVIDE A 2-WIRE ACCESSIBLE PEDESTRIAN SIGNAL SYSTEM THAT USES THE EXISTING WIRING FROM PREVIOUSLY INSTALLED STANDARD PUSHBUTTONS. SOME MANUFACTURERS PROVIDE 3-WIRE AND 4-WIRE SYSTEMS. A 4-WIRE SYSTEM SHOULD BE SET UP JUST LIKE THE 3-WIRE SYSTEM, BUT IN THE 4-WIRE SYSTEM, AN EXTRA GROUND WIRE RUNS FROM THE PEDESTRIAN HEAD TO THE PUSHBUTTON. BOTH ARE ACCEPTABLE OPTIONS. THERE ARE SOME SYSTEMS THAT PROVIDE WIRELESS CONNECTIVITY FOR BLUETOOTH PROGRAMMING.

THE ACCESSIBLE PEDESTRIAN SIGNAL SHALL BE FULLY OPERATIONAL BETWEEN -30°F TO +165°F (-34°C TO +74°C), SHALL NOT ALLOW ICE TO FORM SUCH TO IMPEDE THE OPERATION OF THE BUTTON, AND SHALL HAVE A WEATHERPROOF SPEAKER.

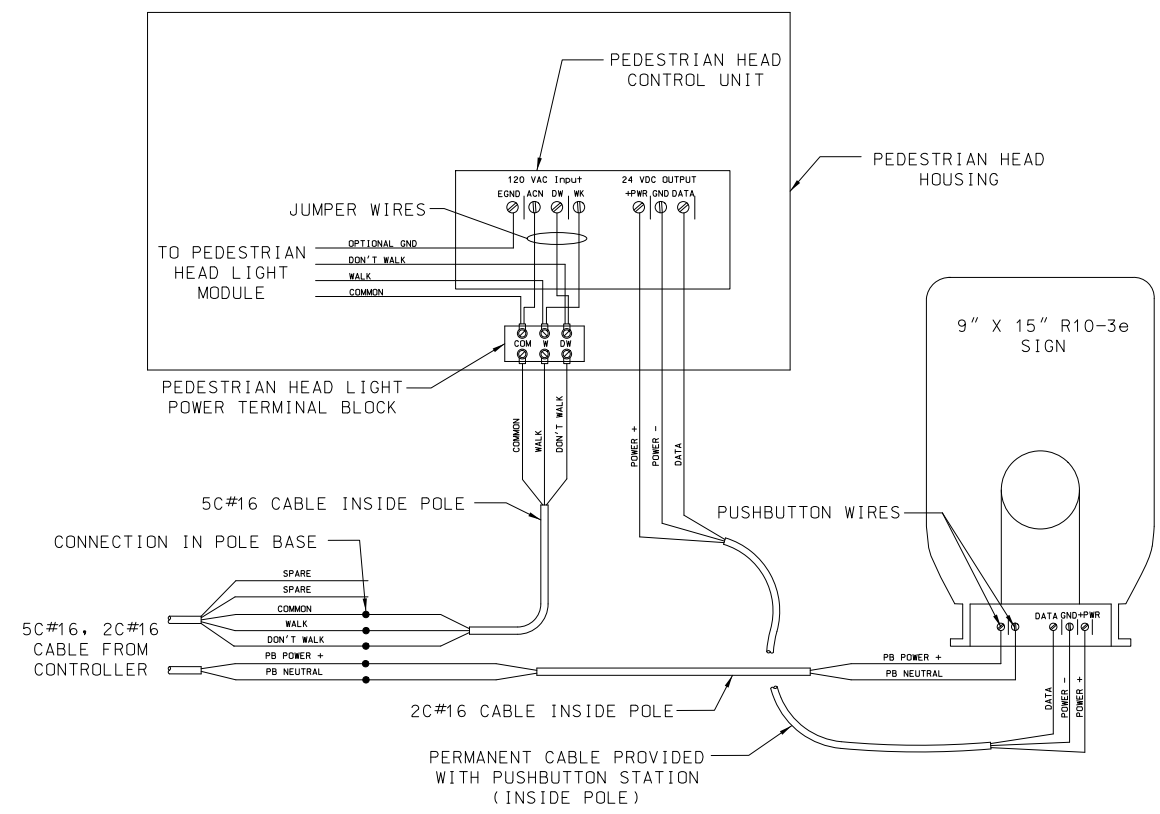


2-WIRE SYSTEM WIRING DETAILS



* PUSHBUTTON SHOULD BE MOUNTED AS CLOSE TO 3'-6" WITHOUT GOING OVER TO SATISFY THE LIMITATIONS AND GUIDANCE OF THE MUTCD.

ACCESSIBLE PEDESTRIAN SIGNAL ASSEMBLY



3-WIRE SYSTEM WIRING DETAILS

MISSOURI HIGHWAYS AND TRANSPORTATION COMMISSION
 105 WEST CAPITOL
 JEFFERSON CITY, MO 65102
 1-888-ASK-MODOT (1-888-275-6636)

STATE OF MISSOURI
 NICOLE A. KOLB HOOD
 NUMBER PE-2001018754
 PROFESSIONAL ENGINEER
 THIS SHEET HAS BEEN SIGNED, SEALED AND DATED ELECTRONICALLY.

**TRAFFIC SIGNALS
 ACCESSIBLE PEDESTRIAN SIGNALS**

DATE EFFECTIVE: 04/01/2021	902.05	SHEET NO. 2 OF 2
DATE PREPARED: 2/17/2021		