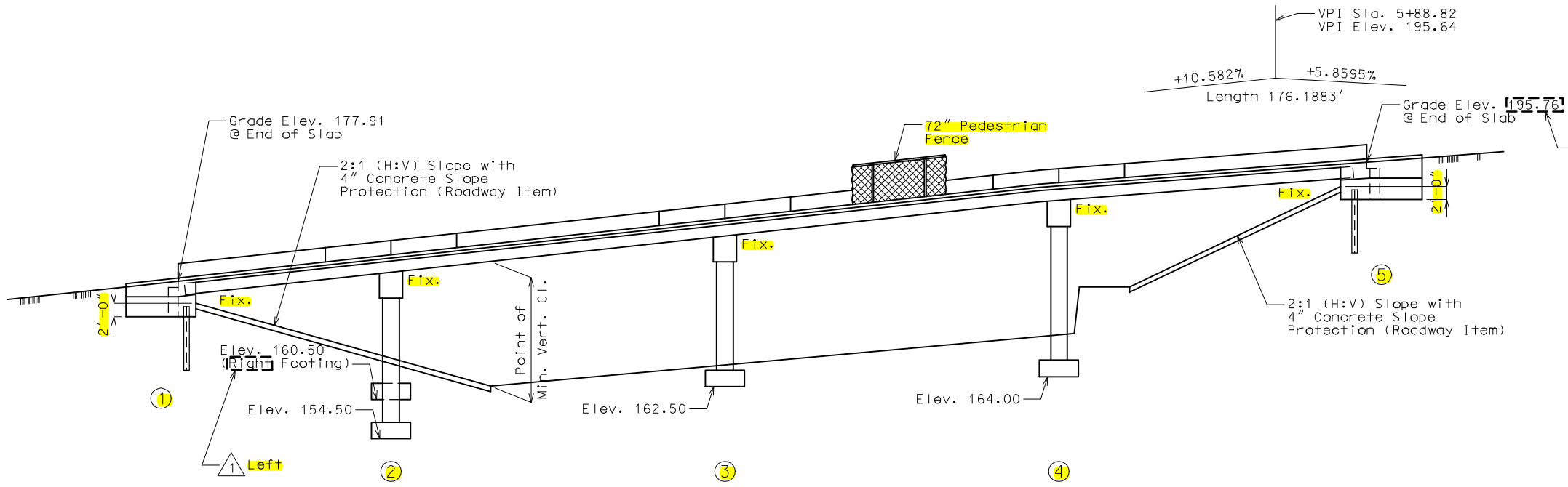


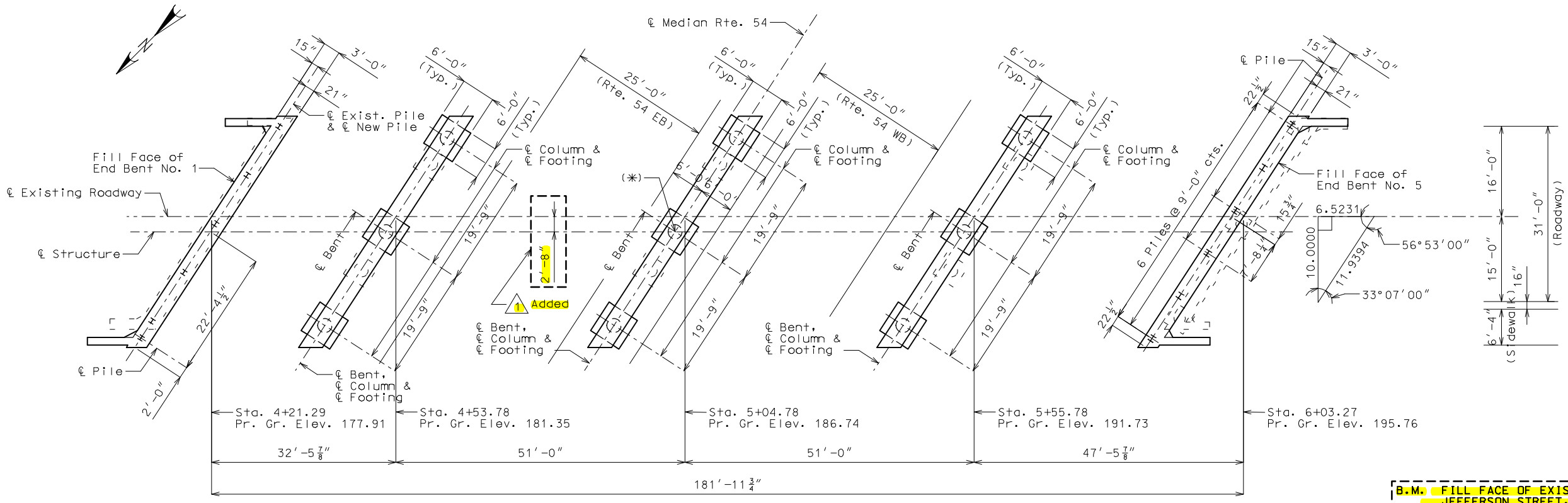
MISSOURI HIGHWAYS AND TRANSPORTATION COMMISSION
 (31'-51'-51'-46') PRECAST PRESTRESSED CONCRETE VOIDED SLAB BEAM SPANS

ROUTE 54	STATE MO	DISTRICT BR	SHEET NO. 1A
JOB NO. J5P2151			
CONTRACT ID			
PROJECT NO.			
COUNTY COLE			DATE
SEC/SUR 12	TWP 44N	RGE 12W	



Roadway fill shall be completed to the final roadway section and up to the elevation of the bottom of the concrete beam within the limits of the structure and for not less than 25 feet in back of the fill face of the end bents before any piles are driven for any bents falling within the embankment section.

GENERAL ELEVATION



PLAN

(*) Sta. 61+34.57 @ Median Rte. 54 = Tie Sta. 5+04.78 @ Jefferson St. (Match Existing)

B.M. FILL FACE OF EXISTING BENT #1 AT CENTERLINE ROADWAY JEFFERSON STREET, ST. 4+21.29, ELEV. 177.44

JEFFERSON STREET BRIDGE OVER RTE. 54

STATE ROAD
 IN JEFFERSON CITY
 PROJECT NO. STA. 61+34.57
 JOB NO. J5P2151 RTE. 54

1 SHEET ADDED

STD. 703.35

A7631