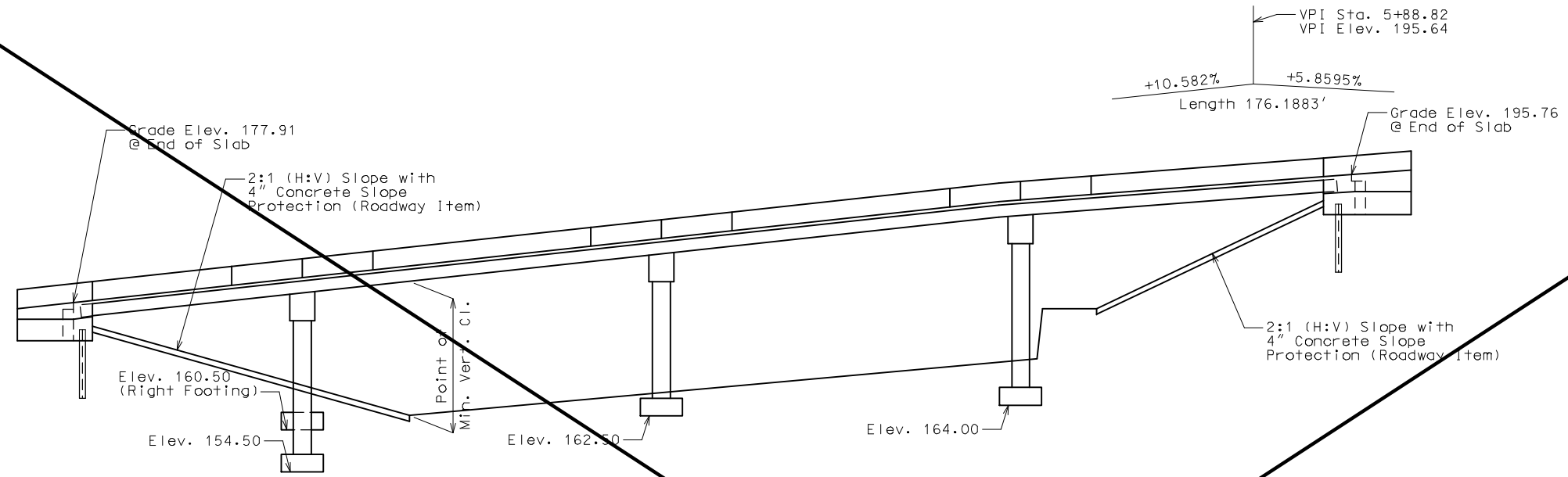
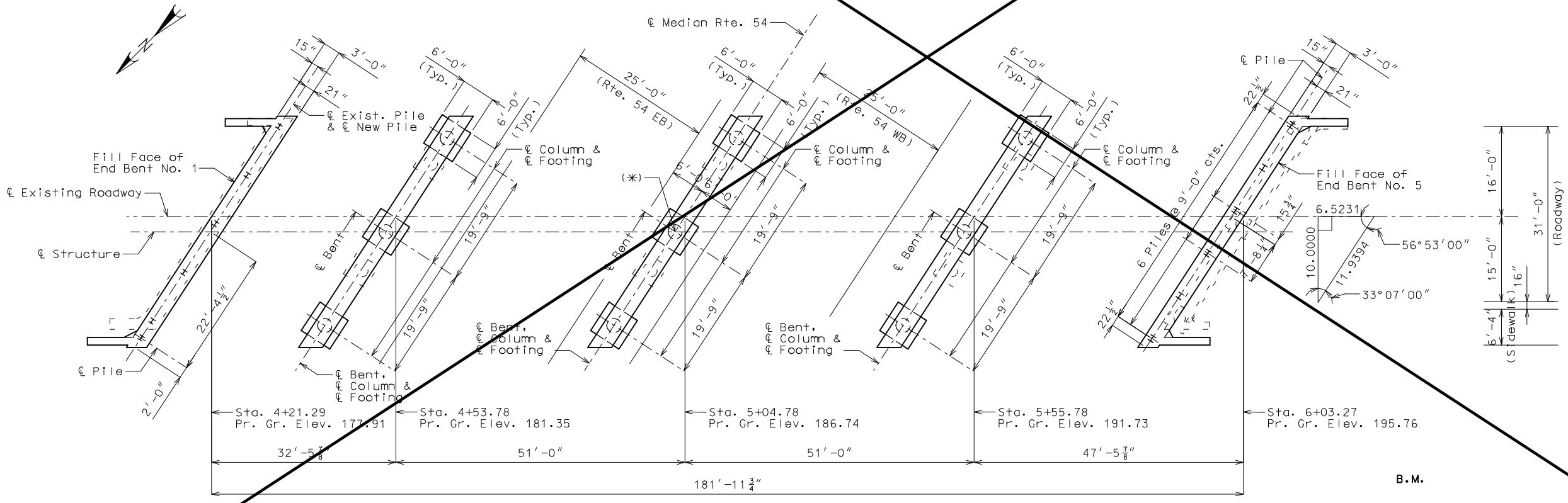


MISSOURI HIGHWAYS AND TRANSPORTATION COMMISSION  
 (31'-51'-51'-46') PRECAST PRESTRESSED CONCRETE VOIDED SLAB BEAM SPANS

ROUTE 54	STATE MO	DISTRICT BR	SHEET NO. 1
JOB NO. J5P2151			
CONTRACT ID			
PROJECT NO.			
COUNTY COLE			DATE
SEC/SUR 12		TWP 44N	RGE 12W



GENERAL ELEVATION



PLAN

(\*): Sta. 61+34.57 @ Median Rte. 54 = Tie Sta. 5+04.78 @ Jefferson St. (Match Existing)

**DELETE SHEET**

B.M.  
**JEFFERSON STREET BRIDGE OVER RTE. 54**  
 STATE ROAD  
 IN JEFFERSON CITY  
 PROJECT NO. 61+34.57  
 JOB NO. J5P2151 RTE. 54

Designed Nov. 2007  
 Detailed Nov. 2007  
 Checked Dec. 2007

Note: This drawing is not to scale. Follow dimensions. Sheet No. 1 of 39

STD. 703.35  
**A7631**