

Notes:

These details are a general representation of a Decorative Pedestrian Fence. The actual fence components and component positions may be different than what is shown.

Fence shall have a gloss black finish (Federal Standard #17038). See special provisions.

Base plate shall be ASTM A709, Grade 50.

All base plates, U-bolts, hex nuts and washers shall be galvanized in accordance with ASTM A123 and Sec 1081.

Measurement of decorative pedestrian fence will be made horizontally and to the nearest linear foot along centerline fence.

Payment for furnishing and erecting the fence complete in place will be considered completely covered by the contract unit price for ( in.) Decorative Pedestrian Fence (Structures).

All fence posts shall be vertical.

Grout shall be placed under the post base plates in accordance with Sec 1066.

Decorative pedestrian fencing shall be in accordance with 2020-AASHTO LRFD Bridge Design Specifications, 9th Ed.

Shop drawings and structural calculations will not be required for the decorative pedestrian fences on the Bridge Pre-qualified Products List.

All materials used in fabrication and construction of the decorative pedestrian fencing shall be in accordance with the manufacturer's specifications, except as modified in the contract documents.

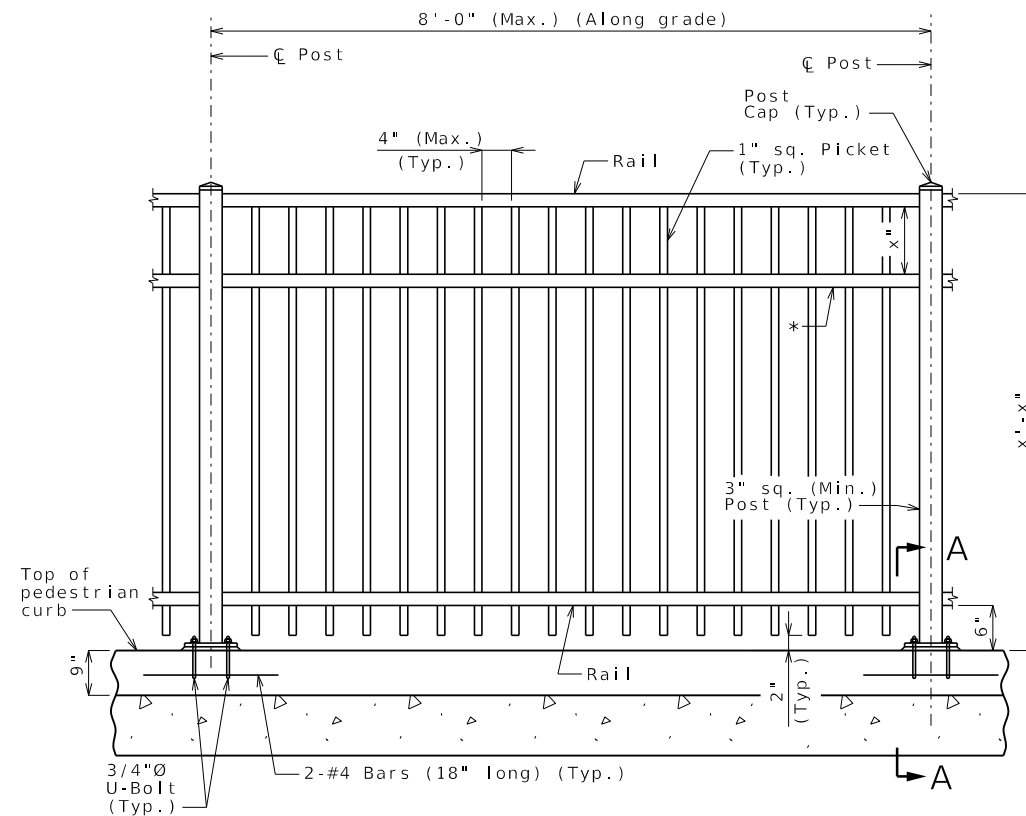
Decorative pedestrian fencing system shall be supplied by only one manufacturer. Decorative pedestrian fencing system shall include all components except the U-bolts, hardware, and #4 bars welded to the U-bolts. The assembly of the pickets to the rails and the rails to the posts shall be the same as the style mentioned for the manufacturer.

See Bridge Pre-qualified Products List (BPPL) for a list of approved manufacturers.

Substitution for the U-bolt cages will not be permitted.

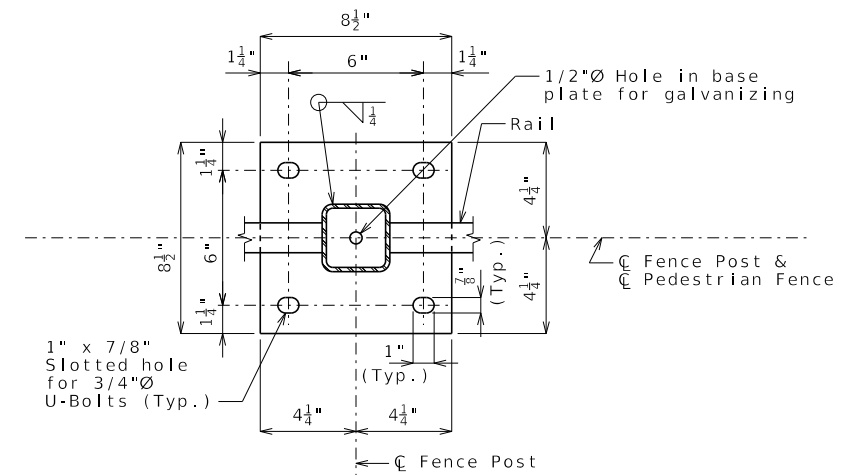
U-bolts shall be ASTM F1554 Grade 36.

For details of pedestrian curb, see Sheet No. .

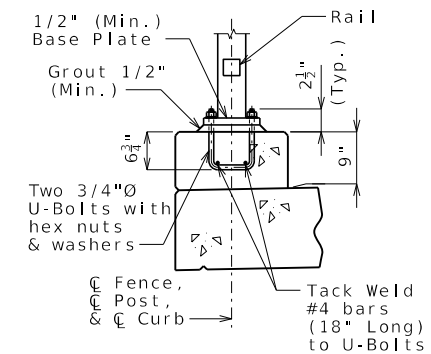


TYPICAL PART ELEVATION

\* Optional rail. Need is based on design computations performed by the manufacturer and approved by MoDOT, or may be added for aesthetics.



PART PLAN SHOWING BASE PLATE



SECTION A-A

1/2-inch diameter hole in base plate not shown for clarity.

DATE PREPARED	
1/24/2025	
ROUTE	STATE
	MO
DISTRICT	SHEET NO.
	3
COUNTY	
JOB NO.	
CONTRACT ID.	
PROJECT NO.	
BRIDGE NO.	

DATE	DESCRIPTION

MISSOURI HIGHWAYS AND TRANSPORTATION COMMISSION

105 WEST CAPITOL  
JEFFERSON CITY, MO 65102  
1-888-ASK-MODOT (1-888-275-6636)

**Standard Drawing Guidance:**  
 (Do not show on plans.)  
 Note on plans that longitudinal dimensions of fence are horizontal.  
 Modify detail and notes as necessary per project requirements. Details are shown for decorative fence on pedestrian curb. Use alternate details for decorative fence on Type H barrier.

DECORATIVE PEDESTRIAN FENCE WITH U-BOLTS

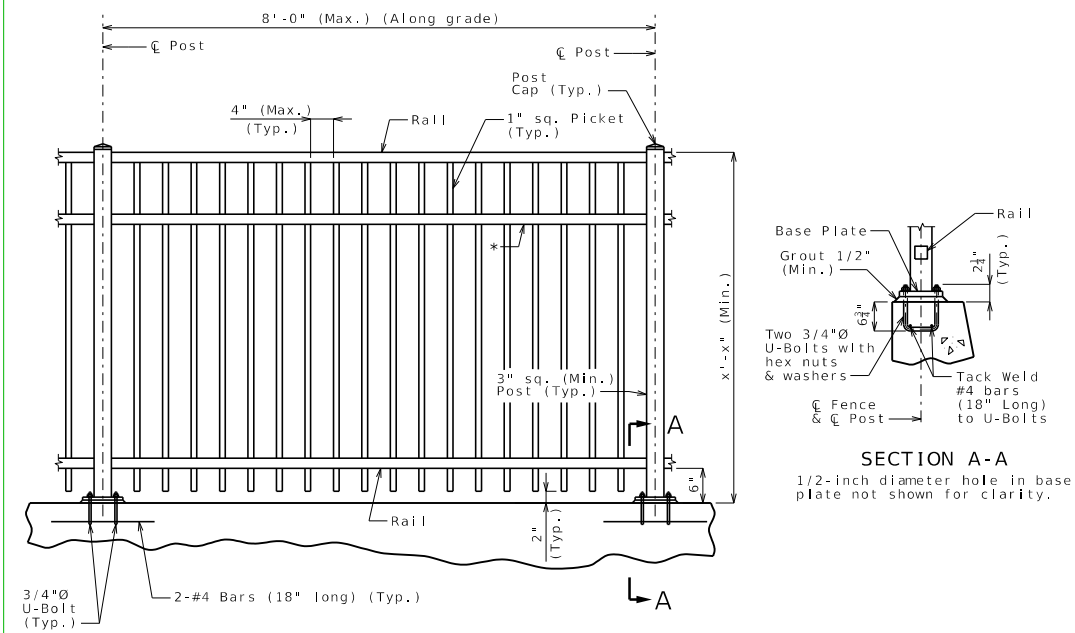
Detailed  
Checked

Note: This drawing is not to scale. Follow dimensions.

Sheet No. of

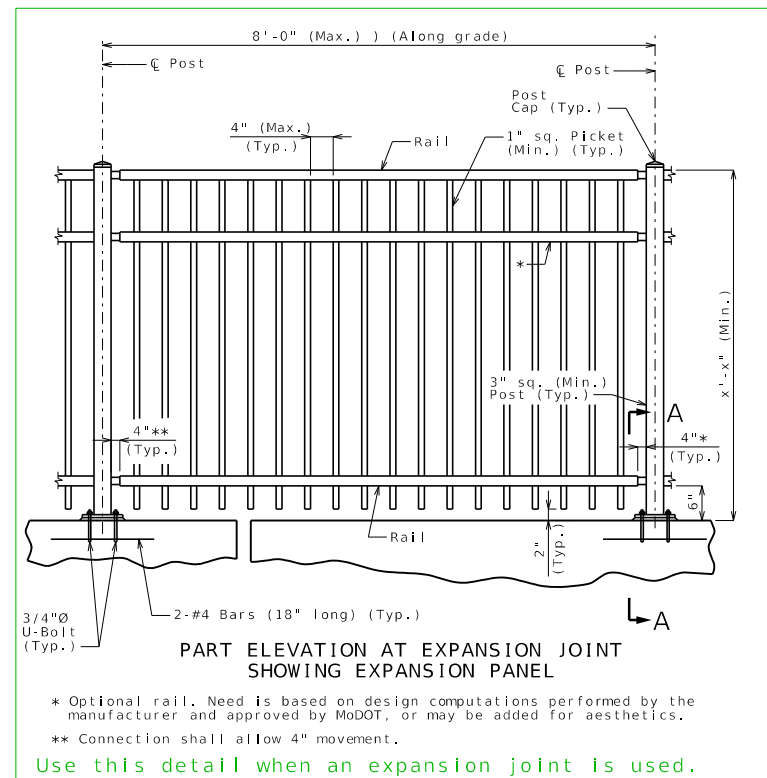
## FEN04 Alternate Details

On Type H Barrier



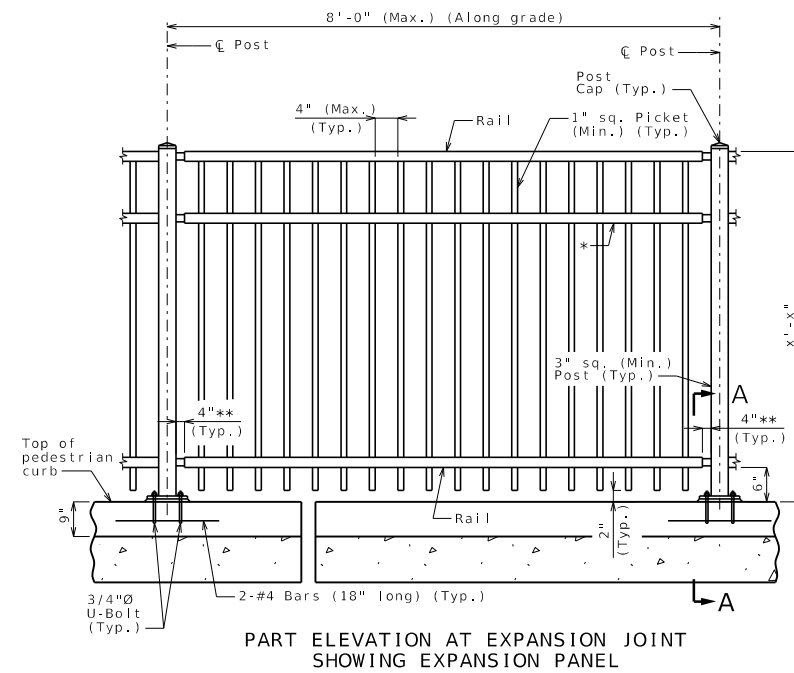
TYPICAL PART ELEVATION

\* Optional rail. Need is based on design computations performed by the manufacturer and approved by MoDOT, or may be added for aesthetics.



\* Optional rail. Need is based on design computations performed by the manufacturer and approved by MoDOT, or may be added for aesthetics.  
 \*\* Connection shall allow 4" movement.

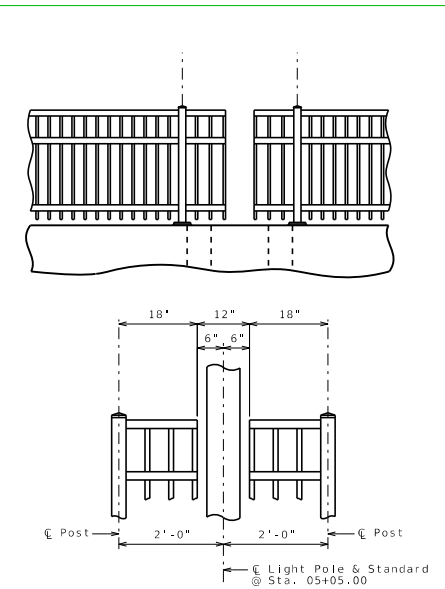
Use this detail when an expansion joint is used.



\* Optional rail. Need is based on design computations performed by the manufacturer and approved by MoDOT, or may be added for aesthetics.

\*\* Connection shall allow 4" movement.

Include this detail when an expansion joint is used (on curb).



TYPICAL DETAIL OF FENCE AT LIGHT STANDARDS

LIGHT STANDARDS