

Adaptable Slope Tractor Sprayer



Description and Benefit

The sprayer was designed to utilize more material during a fill up of herbicide to be more efficient by reducing trips to top off the tanks while they were still half full but could not spray because the tractor was on a slope. This in turn, kept boots off the ground as they could spray more from the cab and less outside of the equipment doing hand spraying. This simplifies the job and improves safety by keeping workers in the cab of the equipment and not out on foot.

For More Information Contact

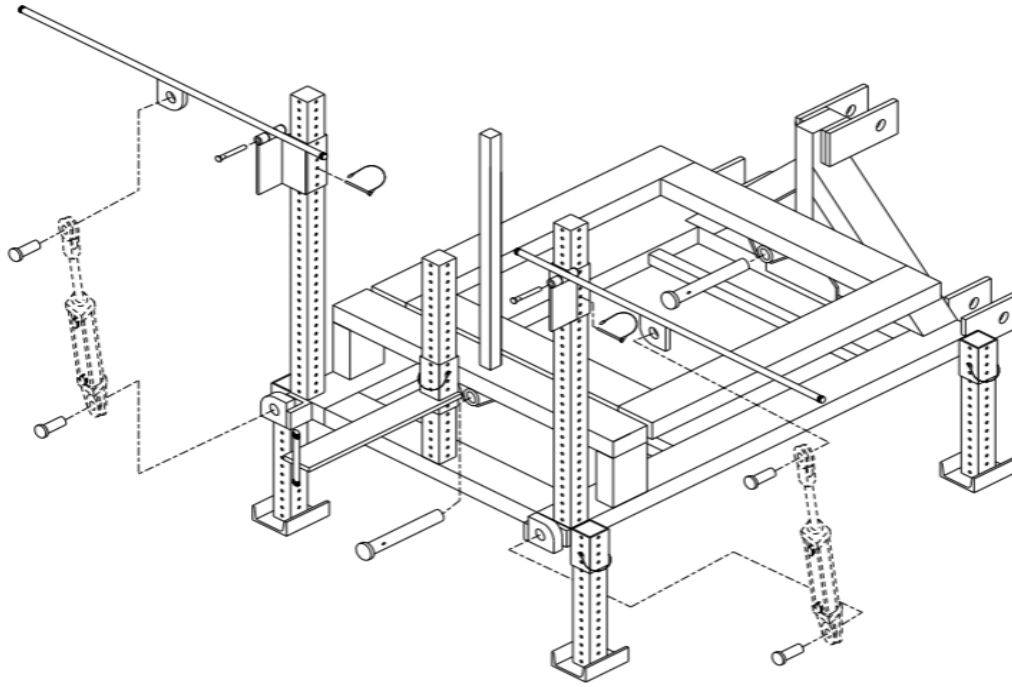
Northeast District – Maintenance

Brett Griffith at James.Griffith@modot.mo.gov or 660-501-0646.

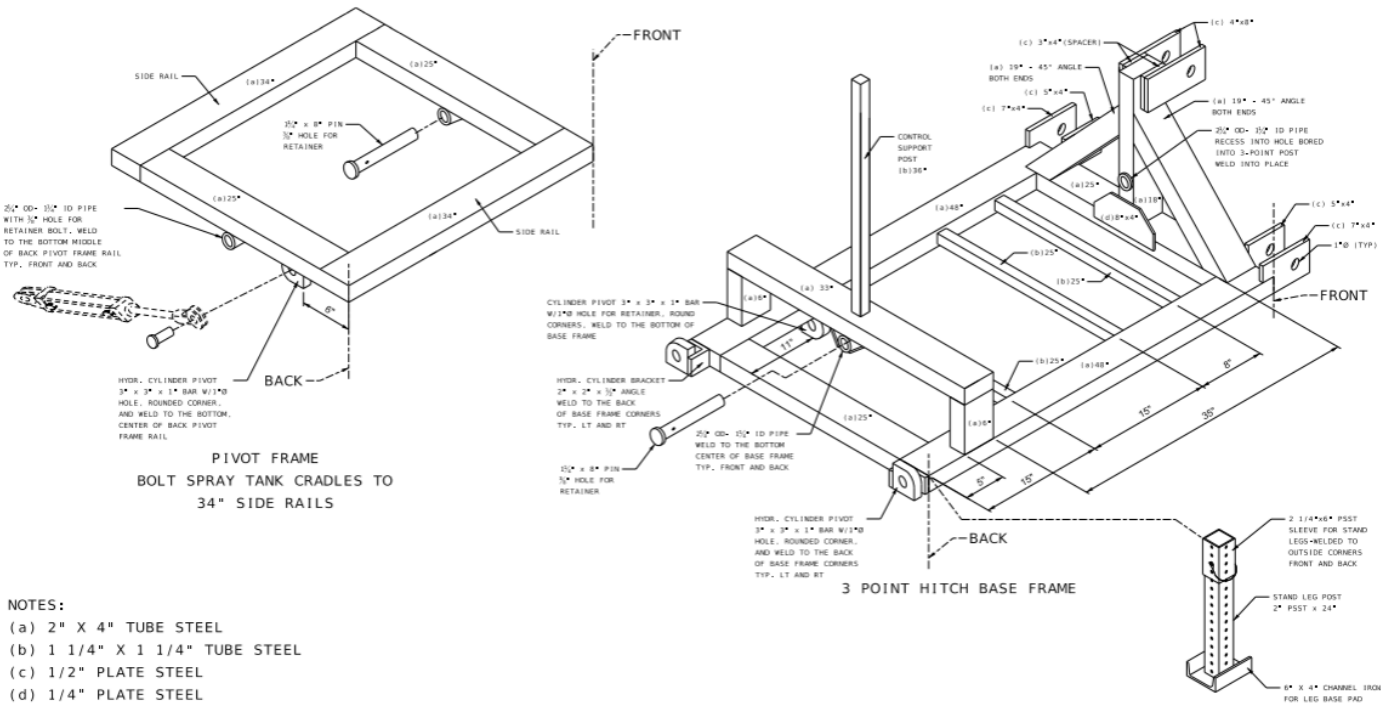
Northeast District – Maintenance

Roger Coffman at Roger.Coffman@modot.mo.gov or 660-833-8878.

ASSEMBLY OF 3-POINT HITCH CARRIAGE FOR ADAPTABLE SLOPE TRACTOR SPRAYER



3 POINT HITCH CARRIAGE FOR ADAPTABLE SLOPE TRACTOR SPRAYER



NOTES:

- (a) 2" X 4" TUBE STEEL
 - (b) 1 1/4" X 1 1/4" TUBE STEEL
 - (c) 1/2" PLATE STEEL
 - (d) 1/4" PLATE STEEL
- ALL JOINTS FULLY WELDED AS SHOWN AND CAP OPEN ENDS
- 3-DUAL ACTING HYDRAULIC CYLINDERS - 2" BORE, 8" STROKE, WITH STD. 1" PINS (HYDRAULIC HOSES NOT SHOWN)
- 7-STD. RECIEVER RETAINER PINS FOR BASE STANDS AND BOOM POSITION ADJUSTMENT.
- 150 GALLON TANK, MOUNTING CRADLE BRACKETS, PUMP, CONTROLS, WIRING, HOSES, FITTINGS (NOT SHOWN)