

Sign Base Jig



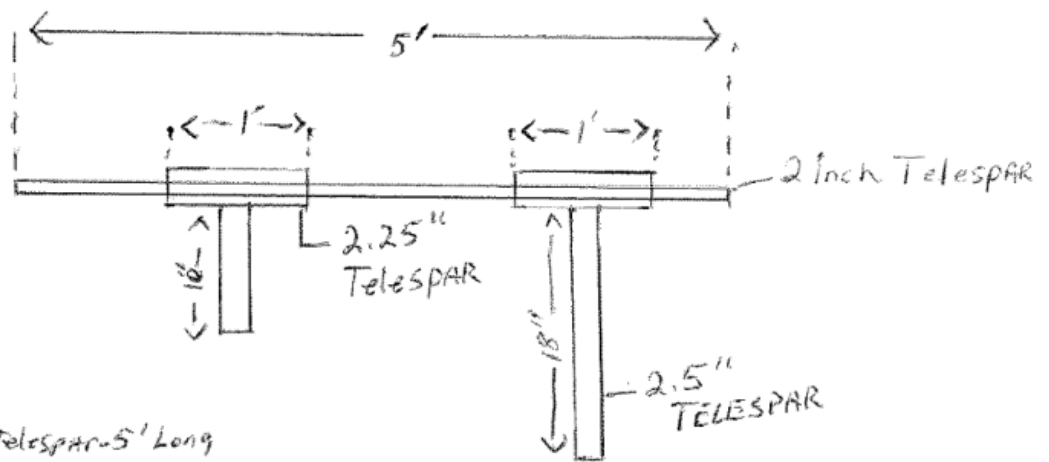
Description and Benefit

This innovation is a portable metal jig that is adjustable to assist in the installation of Telespar signpost bases in the ground. A lightweight device that one or more people can operate to install post bases to erect signs. During the installation of the sign base a person can spend several minutes leveling, twisting and aligning the bases to ensure they are correct for the final concrete to be placed. Many factors can move the bases and create a situation where you have to adjust multiple times. This leaves you exposed to traffic longer, frustration of redoing the same action multiple times, and makes for a better finished product when completed. With the Sign Base Jig, those frustrating barriers are cut down significantly.

For More Information Contact

Southwest District - Maintenance

Danny Bowling at Danny.Bowling@modot.mo.gov or 417-616-1228.



1-piece of 2" Telespar-5' Long

2- 2.25" Telespar post couplers -1' Long

1- 10" piece of 2.5" Telespar

1- 18" piece of 2.5" Telespar

SIGN JIG

5 feet of 2 inch Telespar @\$3.28 per foot

2.5 feet of 2.5 inch Telespar @\$4.10 per foot

2-1 foot pieces of 2.25 inch Telespar @\$4.00 per foot (This typically is the sleeves you can get to connect 2 Telespar posts together to extend them longer)

The 2.25 inch sleeves slide over the 2 inch Telespar and the 2.5 inch Telespar is welded to the sleeves in a downward fashion