

Tool and Equipment

April 2024

Prepared by Transportation Planning
Missouri Department of Transportation

Z-Skid



Description and Benefit

For this innovation we used carbide treated skid shoes and placed them on multiple mower applications. This helps from wear and tear on our machines, in return saving lots of money with not needing to replace equipment as often.

For More Information Contact

St. Louis District - Maintenance

Joseph Boyer at Joseph.Boyer@modot.mo.gov or 314-220-6542.

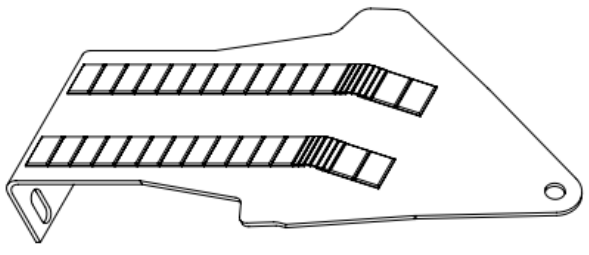
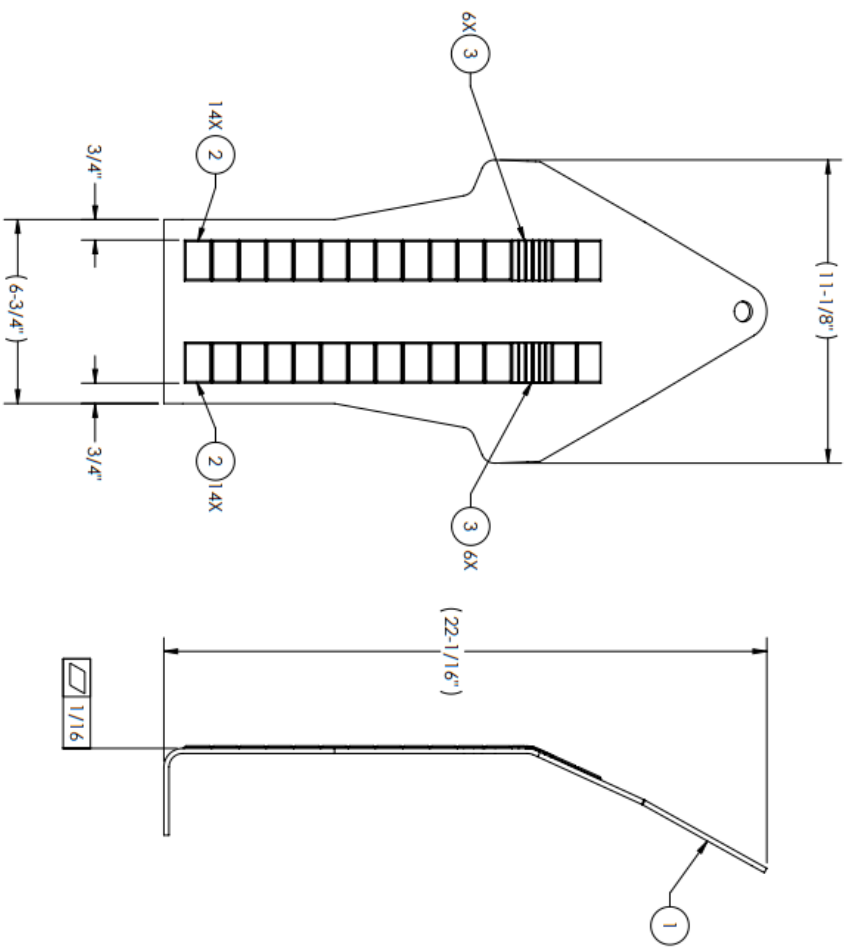
St. Louis District - Maintenance

Michael Shanks at Michael.Shanks@modot.mo.gov or 314-220-2333.

TOLERANCES
 XXXX = ±0.005
 XXX = ±0.015
 XX = ±0.03
 FRACTIONAL = 1/32
 ANGLES = 1/2°
 UNLESS SPECIFIED

| REV | DESCRIPTION | DATE | ISSUED BY | REV |
|-----|-----------------|-----------|------------|-----|
| BV | INITIAL RELEASE | 3/19/2019 | GET-705789 | - |
| - | - | - | 1 OF 1 | - |

BRAZING



| ITEM | DESCRIPTION | PART NO. | QTY. |
|------|----------------------------------|----------|------|
| 3 | CAR 3/32 X 1/4 X 1-1/2 W-CHAMFER | N/A | 12 |
| 2 | CAR 3/32 X 1 X 1-1/2 W-CHAMFER | N/A | 28 |
| 1 | CSP GET-705789 SICKLE BLADE | CSP71811 | 1 |



GOOD EARTH TOOLS, INC.
 4 INDUSTRIAL DR. CRYSTAL CITY, MO 63019
 PHN (636) 937-3330 FAX (636) 937-3386

| | | | | |
|--------------------|----------------------|---------|------------------------|-----------------|
| DESIGNED BY: ZB | DATE: 3/19/2019 | REV: - | EXAMINED BY: B. VAUGHN | DATE: 3/19/2019 |
| WEIGHT: 11.7506 LB | MATERIAL: GET-705789 | SEE BOM | | |
| TEXT REF: N/A | | | | |

THIS DRAWING IS THE PROPERTY OF GOOD EARTH TOOL, INC. AND CLAIMS PROPRIETARY RIGHTS IN THE MATERIALS LOCATED. THE INFO MAY NOT BE COPIED OR USED FOR MANUFACTURE OF ANYTHING SIMILAR WITHOUT SPECIFIC PERMISSION FROM GOOD EARTH TOOL, INC.

NOTES:
 1. ALL DIMS IN INCH

NEXT ASSY: FINAL