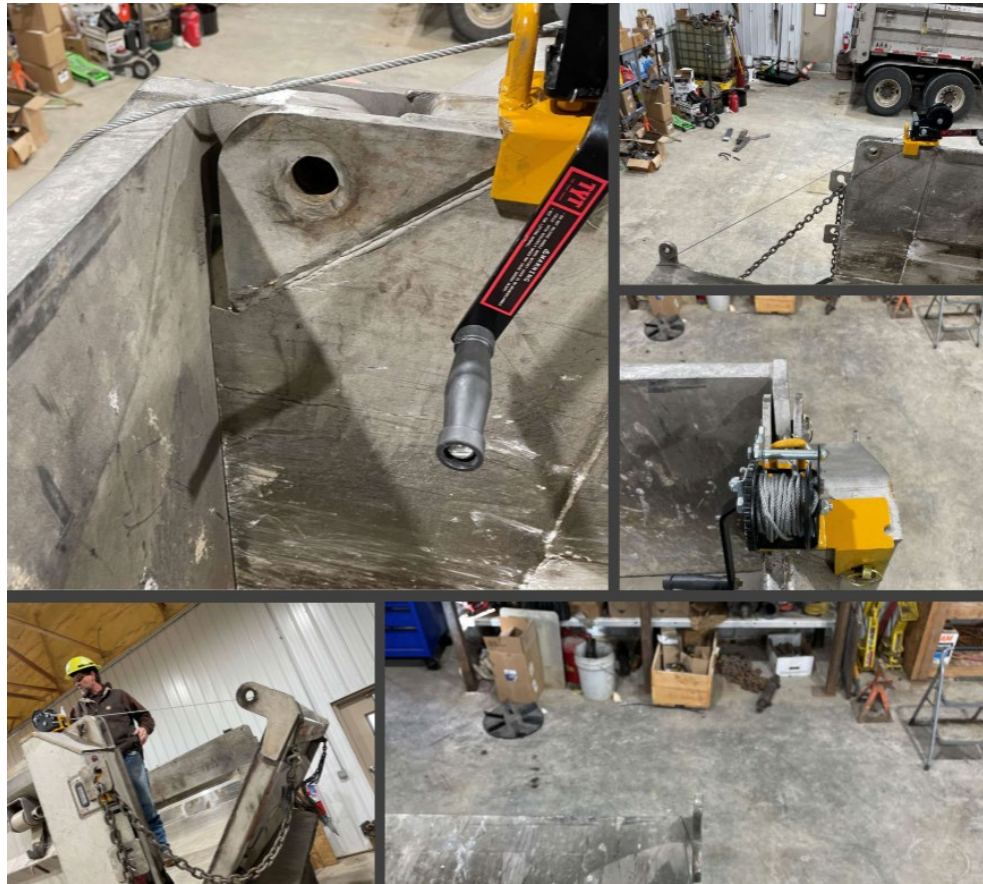


Tailgate Closer



Description and Benefit

The Tailgate Closer is a removable hand-winch used to aid in opening and closing of twins of a twin-screw tailgate. It can be easily used by one person anywhere and it can be stored in the toolbox. This tool eliminates the task of lifting a heavy tailgate.

For More Information Contact

Northwest District – Maintenance

David Prickett at David.Prickett@modot.mo.gov or 660-564-2217.

Northwest District – Maintenance

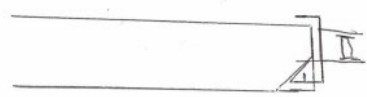
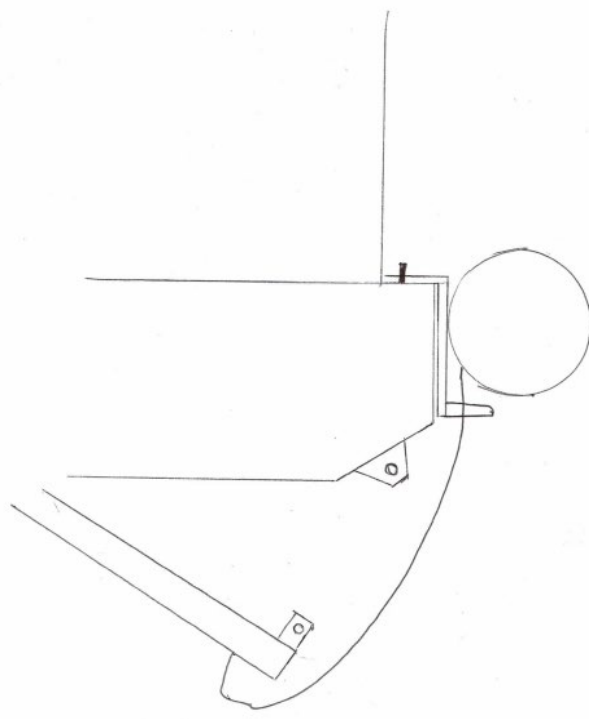
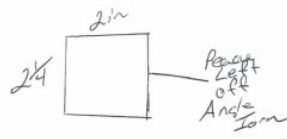
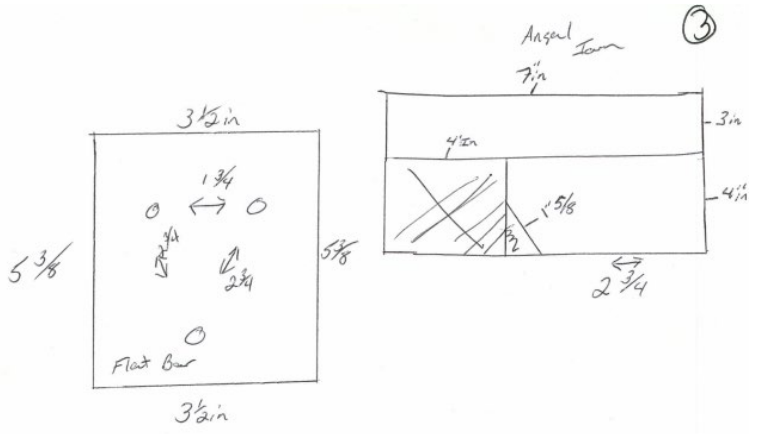
James Banister at James.Banister@modot.mo.gov or 660-654-2217.

Total Parts and Costs

- 600 lb Boat Trailer Winch (TYT-4D Amazon) \$20.99
- 1 Ft of 4" x 3 1/2" Angle Iron \$11.50
- 4 Ft of Flat Iron 4" x 1/4" \$11.50
- (3) 3/8" Bolts, (6) Nuts, (3) Lock washers \$5.00
- 3/8" Chain Quick Link \$7.00
- Total Cost: \$55.99
- Total Cost using existing Materials in Shop: \$27.99

Reoccurring Cost Per Truck

- \$55.99 if all new Material
- \$27.99 using Material from Shop



④

